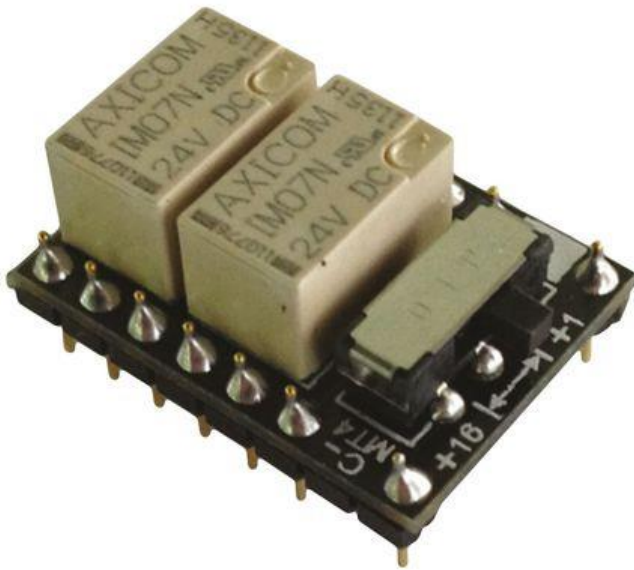


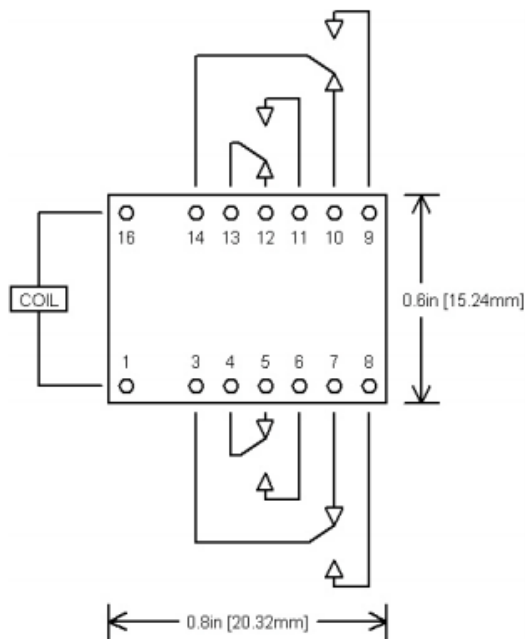
Datasheet

4PDT Through Hole Mount Non-Latching Relay, 2 A, 12V dc

RS Stock 819-8990



Dimensions: (mm)





Direct replacement for the Axicom MT4-C93801, MT4-C93802, MT4-C93803 and Siemens V23104 relays

- The Cephos C-MT4 module dimensions are: 20.32 x 15.24mm, identical to the original MT4 / V23104 footprints.
- 4 pole telecom / signal relay, 4 pole changeover / 4 Form C / 4PDT
- Max. Switching power 60W / 62.5VA
- Max. Switching voltage 220VDC / 250VAC
- Max. Switching current 2A
- Bifurcated contacts Palladium-Ruthenium, gold covered

The C-MT4 replacement module consists of two IM series relays on a 0.8mm FR4 pcb with pinning to match the original MT4 together with a miniature slide switch to select the polarity of the IM series relay as the original MT4 / V23104 relays were not polarised.