

# Product Information



## 9950FTP200P65

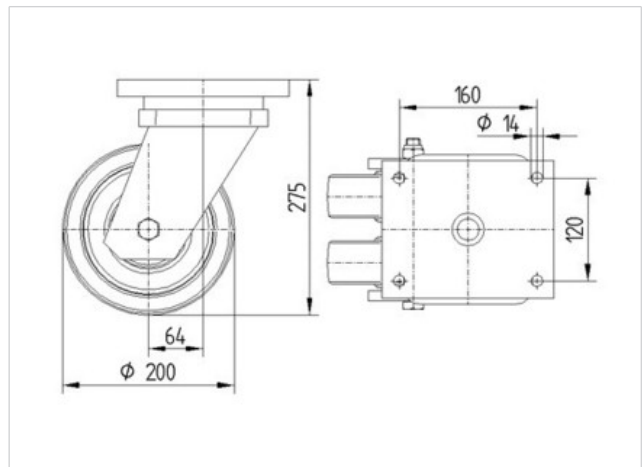
EAN 4031582316780

Swivel castor, housing and plate steel-welded, zinc plated, blue passivated, sealed swivel bearing with dual purpose bearing and tapered roller bearing, threaded king pin and locking nut secured, grease nipple, wheel axle with nut, plate fitting.

Wheel centre made of cast iron, Tread: Polyurethane, casted, precision ball bearing



Technical Data	
Wheel diameter	200 mm
Width of Tread	50 mm
Size of Plate	200 x 160 mm
Plate hole centres	160 x 120 mm
Plate hole	15 mm
Offset	60 mm
Swivel Interference	320 mm
Overall height	275 mm
Temperature	- 20 / + 60 °C
Standard	EN 12533
Weight	22.002 kg
Swivel Radius	160 mm
Hardness of tread	A 92 Shore
Load capacity	2000 kg
Load capacity (static)	4000 kg



Roll performance	+	+	+	+	+
Movement noise	+	+	+	+	+
Attrition	+	+	+	+	+
Corrosion resistance	+	+	+	+	+



## 9950FTP200P65

EAN 4031582316780

