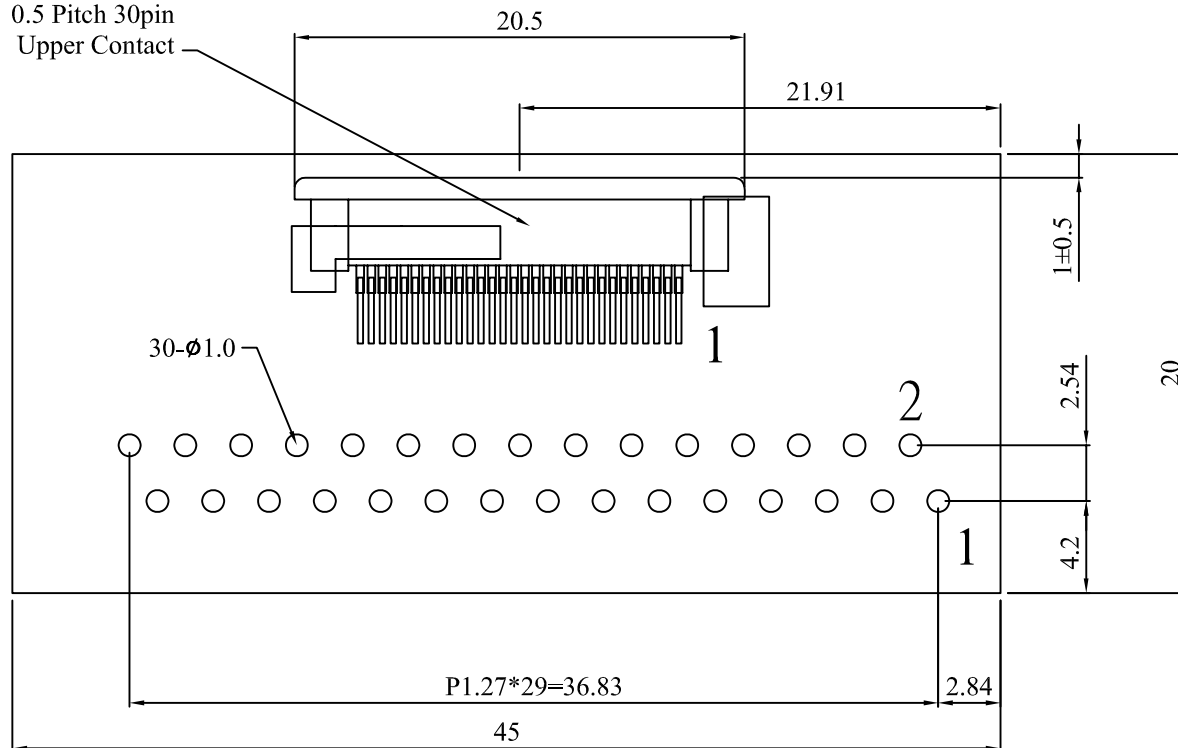


ZIF CONNECTOR
0.5 Pitch 30pin
Upper Contact



NOTE:

2.The PCB thickness is 1.6 mm .

1.The non-specified tolerance of dimension is ± 0.3 mm .

BOLYMIN, INC.	SCALE:	REV: 0
	UNIT: mm	PAGE: 1/1
MODEL BZ4520A1	APPROVE	
TITLE PCB DRAWING	CHECK	
DWG NO.	DRAW	Steven 10.12.09