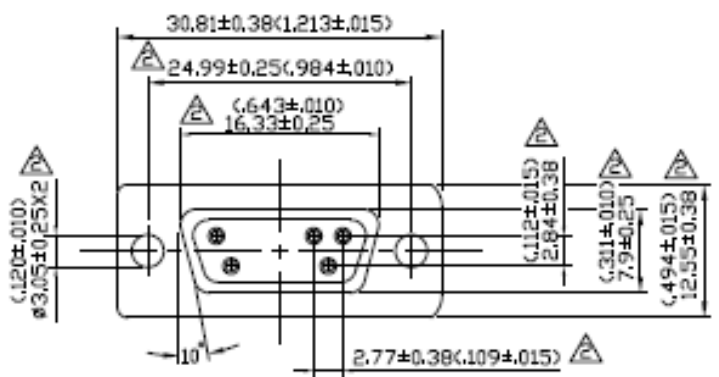
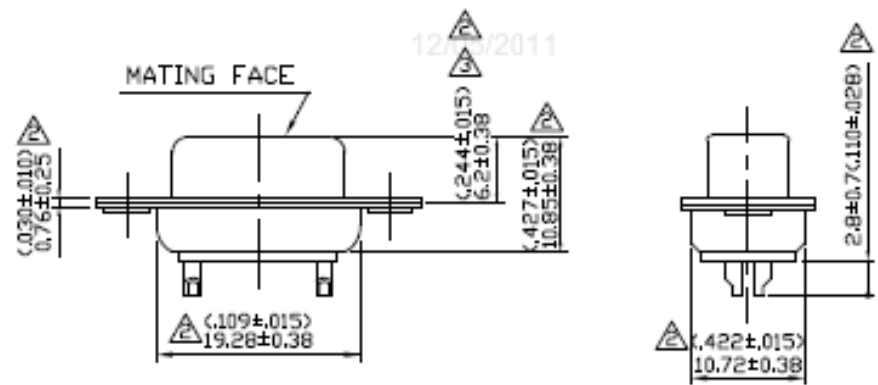


NO	DESCRIPTION	DATE
△	ADD HIS PART NO.	04.01.04
△	ADD DESCRIPTION ADD 6.2±0.38 24.99±0.13 — 24.99±0.25 16.33±0.13 — 16.33±0.25 ø3.05 — ø3.05±0.25 7.9 — 7.9±0.25 12.55 REF. — 12.55±0.38 2.77 — 2.77±0.38 19.28 REF. — 19.28±0.38 1 — 0.76±0.25 10.72 REF. — 10.72±0.38 11 REF. — 10.72±0.38 3.3 REF. — 2.8±0.7 2.84 — 2.84±0.38 HIS PART NO. — P/N	03.13.08
△	CORRECT DIMENSION LINE POSITION	12.02.11



CONTACT TYPE FORMED CONTACT
 COLOR OF INSULATION WHITE PBT GLASSFIBRE REINFORCED
 PLATING OF CONTACT GOLD <5 MICRO INCHES>
 SOLDER TERMINATIONS TIN
 WORKING VOLTAGE 500V AC AT SEA LEVEL
 CONTACT RESISTANCE 10m OHM MAX.
 MATING CYCLES 150 TIMES



△△ P/N: 544-3749

APPROVED by _____ DATE: _____



△ DESCRIPTION		D-SUB WITH 9-PIN FEMALE CONNECTOR BY FORMING								
製 圖	DRAWN	TOLERANCE		品名	D50-0009S-F		日期	DATE	版次	REV.
	Gina	.X	±0.2	TITLE	\ROHS COMPLIANT		02.22.95			A-3
檢 圖	CHECK	.XX	±0.1	單位	mm(In)		DWG. NO.		55-0044	
	Jase	.XXX	±0.05	比例	SCALE					
認 証	APPROVAL	ANGLE	±5°							
	Angela									