

BR300

General Descriptions

The BR300 is non-insulation step down type DC/DC converter module which include control IC, inductor, ceramic capacitor, pins. This product, with few external components, DC / DC converter can be configured easily, reducing design time, contributes to space saving.

Package



Features

- Output 5V 1A 5W
- Outline 14mm x 14mm x 10mm (W x D x H)
- Weight 1.6g
- All in one
- Design free
- High efficiency 91% typ. (at $V_{in}=8V, I_o=0.6A$)
- This product can achieve miniaturization by high-frequency switching technology.
- Protection functions
 - Over current Protection function (OCP):Auto restart
 - Thermal Shutdown Protection function (TSD): Auto restart

Applications

- Factory Automation
- Communication Devices
- Consumer
- Others

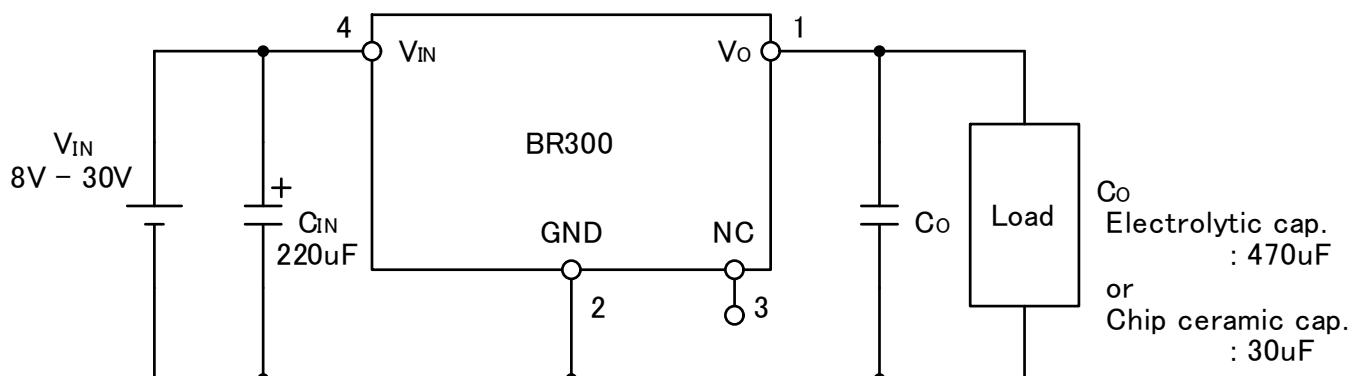
Electrical Characteristics

Input voltage range DC 8 to 30V
 Circuit topology Step down chopper
 Switching frequency 350kHz

RoHS Directive Compliance

Lead, cadmium, mercury, hexavalent chromium and PBB, PBDE meet the specified criteria on the basis of EU Directive 2002/95/EC, except for nonrestricted materials.

Typical Application circuit



BR300

Jan/23/2013

Absolute maximum ratings Valid at Ta = 25°C, unless otherwise specified

Characteristic	Pins	Symbol	Rating	Units	Notes
Input voltage	4-2	V _{IN}	-0.3 to +35	V	

Recommended Operating Conditions Valid at Ta = 25°C, unless otherwise specified

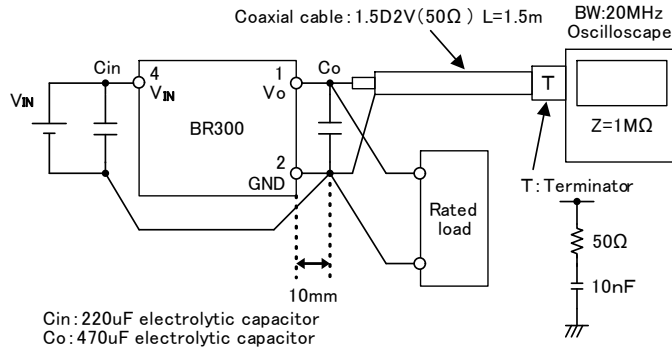
Characteristic	Pins	Symbol	Rating		Units	Notes
			MIN	MAX		
Input voltage range	4-2	V _{IN}	8	30	V	
Output current range	1-2	I _O	0	1	A	

Electrical characteristics Valid at Ta = 25°C, unless otherwise specified

Characteristic	Pins	Symbol	Rating			Units	Notes	
			MIN	TYP	MAX			
Input current	4-2	I _{IN}	-	0.24	-	A	V _{IN} =24V I _O =1A	
Standby power	4-2	P _{STB}	-	0.16	-	W	V _{IN} =24V I _O =0A	
Output voltage	1-2	V _O	-	5.00	-	V		
Constant Voltage Accuracy	1-2	V _{ACC}	-3.0	-	3.0	%		
Output current	1-2	I _O	0	-	1.0	A		
Maximum output power	1-2	P _{O(MAX)}	-	-	5	W		
Output voltage ripple ⁽¹⁾	1-2	V _{RIP}	-	50	-	mV _{P-P}	V _{IN} =24V I _O =1A	
Output voltage noise ⁽¹⁾	1-2	V _{NOISE}	-	50	-	mV _{P-P}	V _{IN} =24V I _O =1A	
Output over current protection	1-2	I _{OCP}	1.1	-	-	A		
Operating Temperature Range	-	T _{OP}	-20	-	85	°C	See the derating curve	
Operating Humidity Range	-	HOP	10	-	90	%	No condensation	
Storage Temperature Range	-	TSTG	-25	-	85	°C		
Storage Humidity Range	-	HSTG	5	-	95	%	No condensation	
Vibration (Non Operation)	Frequency	-	-	10	-	55	Hz	
	Acceleration	-	-	-	19.6	-	m/s ²	
	Sweep Time	-	-	-	1	-	min	
	Vibration	-	-	-	1.5	-	mm	
	Vibration Direction	-	-	-	X,Y,Z	-	—	
	Vibration Time	-	-	-	2	-	hour	
Shock Capability	Dropped from heights of 50mm to a concrete surface. Each surface is dropped five times						no failure	
Product Weight	-	-	-	1.6	-	g		
Product Outline	W × D × H	-	-	-	14x14 x10	-	mm	See the Package Outline

⁽¹⁾ The ripple measurement is made at both ends of electrolytic capacitors Co=470μF. For the Cin, YXF made by Rubycon or equivalent for switching power supplies is recommended. For the Co, low impedance ZL made by Rubycon or equivalent for switching power supplies is recommended. In this case, a 470μF electrolytic capacitor is connected to the position of 10mm wire length from the output terminal.

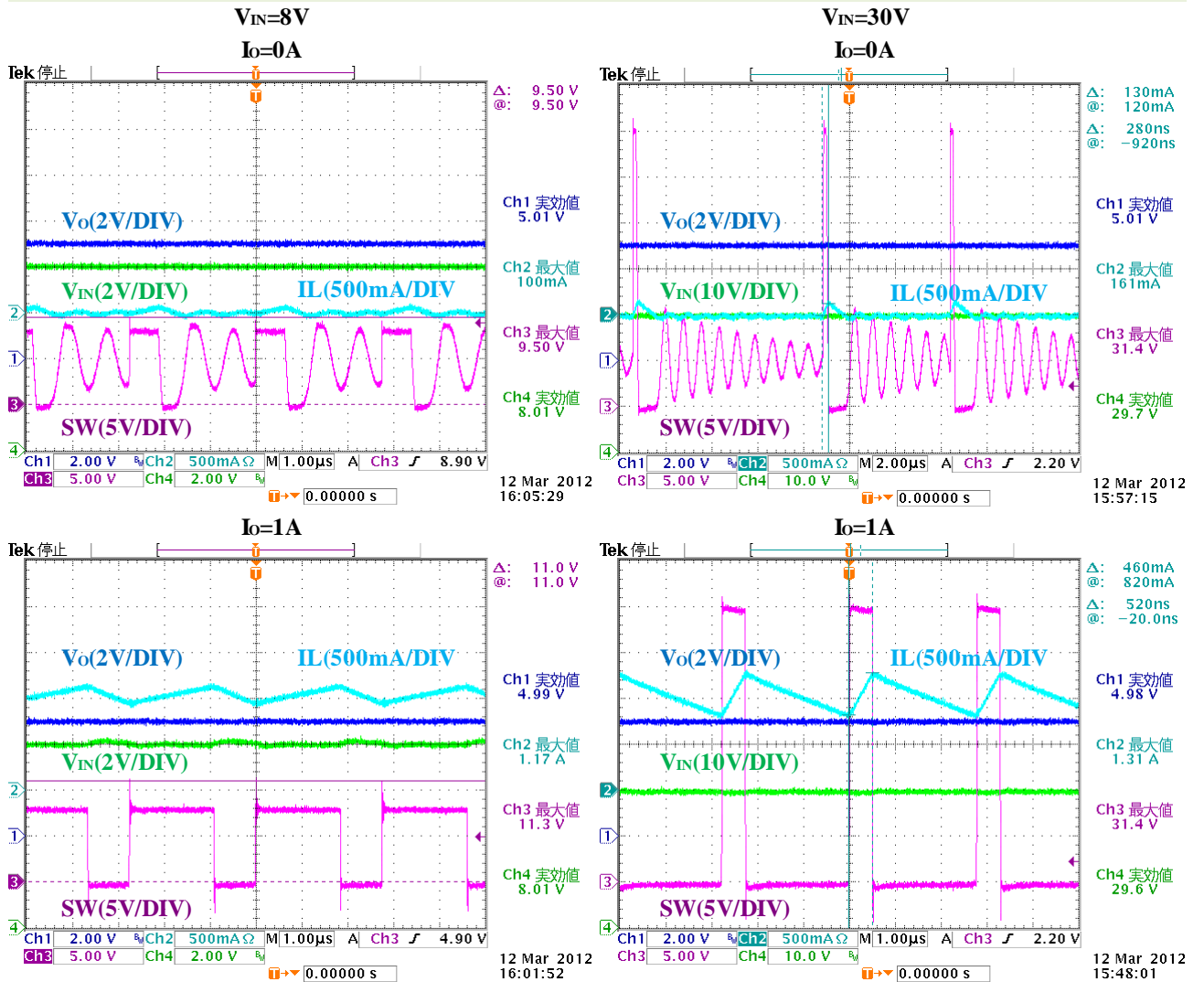
BR300



Ripple Measurement Circuit

Typical Characteristics

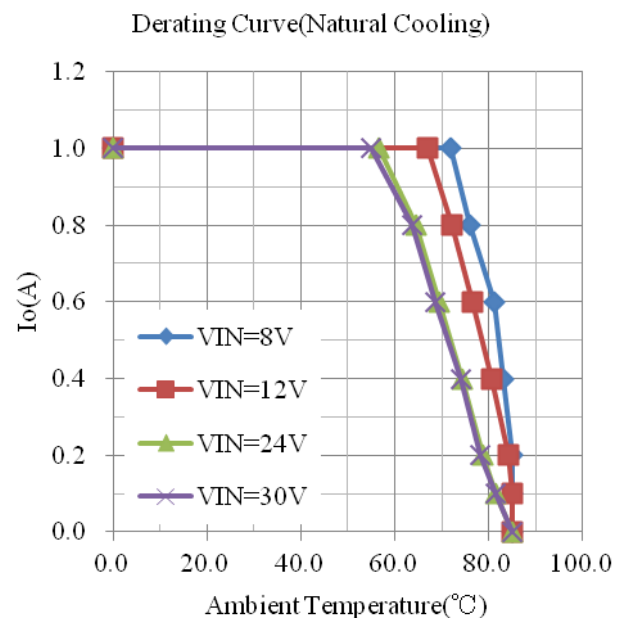
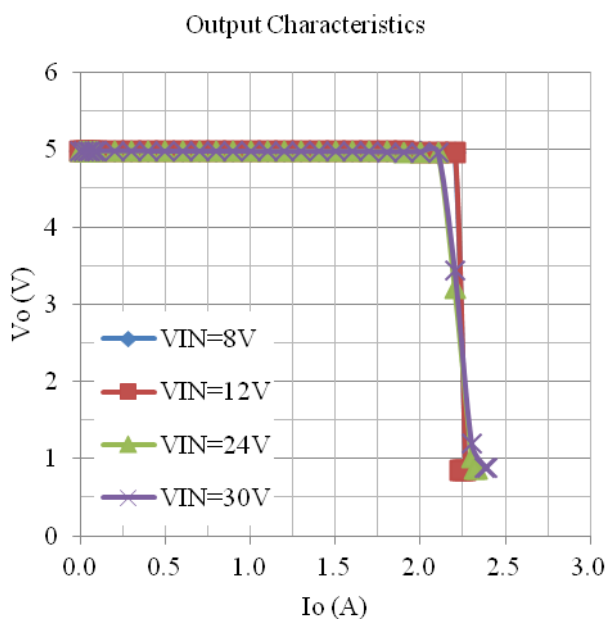
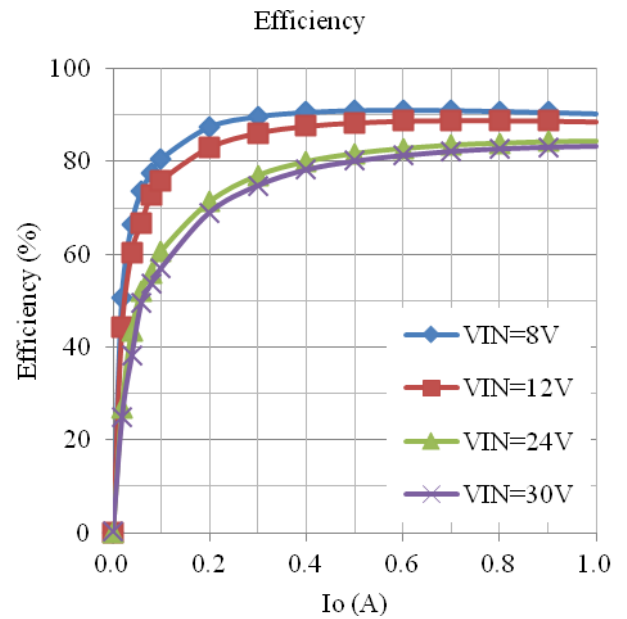
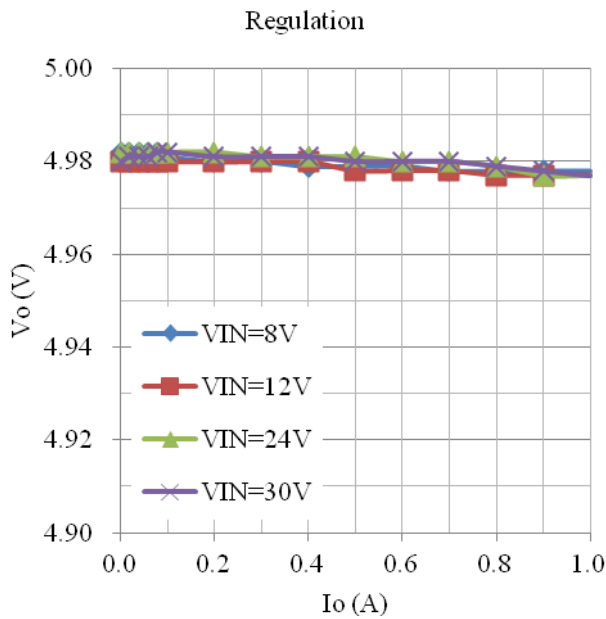
Reference Data ($V_{IN}=8V/30V, V_O=5V$)

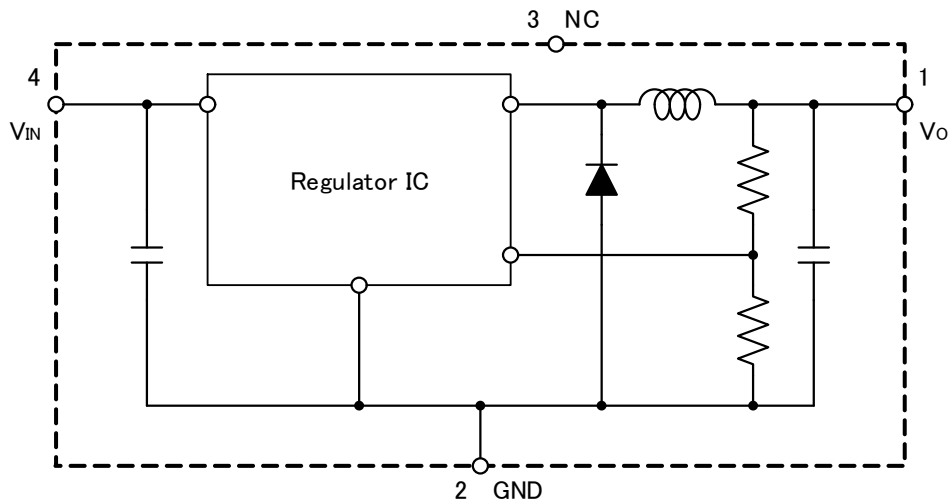


BR300

Temperature rise

Measurement points		At $V_{IN}=30V, V_O=5V, I_O=1A$	
		Temperature (°C)	Temperature Rise (°C)
Inductor	Top	75.3	50.2
Diode	Top	71.9	46.8
Ceramic capacitor	Top	67.2	42.1
IC	Bottom	72.9	47.8
Input ceramic capacitor	Bottom	65.5	40.4
Output ceramic capacitor	Bottom	61.8	36.7
Ambient temperature	—	25.1	—



BR300**Block Diagram****Pin List Table**

Pin No.	Symbol	Function
1	V_O	Output terminal
2	GND	Ground terminal
3	NC	Non connection
4	V_{IN}	Input terminal

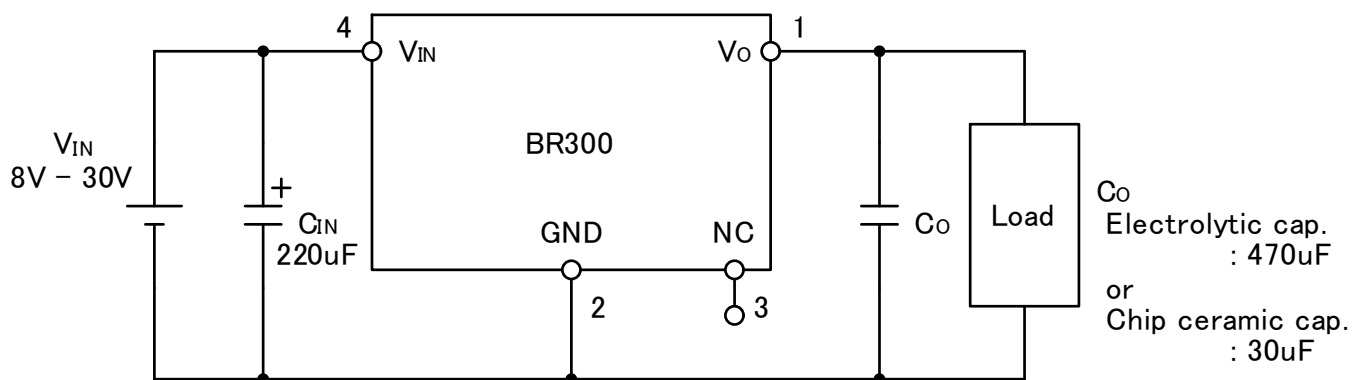
Pin function

1. V_O
This pin is the output terminal of the positive electrode of the DC / DC converter.
The output load can be taken from this pin and GND pin .
2. GND
This pin is the ground terminal of the DC / DC converter. The output load can be taken from this pin and V_o pin .
3. NC
This pin is unconnected. Do not use this pin.
4. V_{IN}
This pin is the input terminal of the positive electrode of the DC / DC converter.
The input voltage of DC 8 to 30V can be supplied between this pin and GND pin.

BR300

Typical application circuit

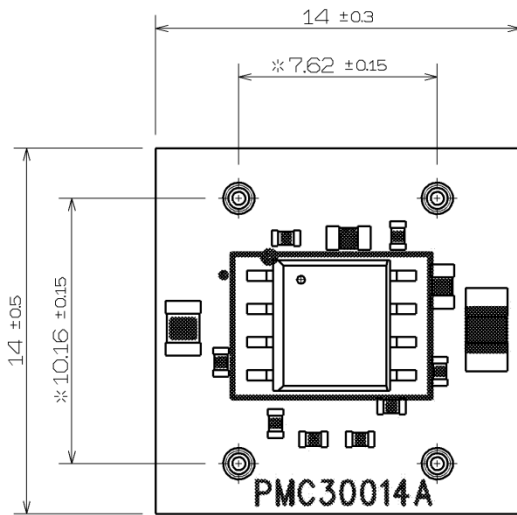
- When handling the products, the operator must be grounded. To prevent shock hazard, grounded wrist straps should be used and at least $1M\Omega$ of resistance from the operator to ground should be placed near the operator.
- Input electrolytic capacitor C_{IN} of around $220\mu F$ should be connected to the input side of BR300. If the input voltage is stable, it is not required.
- Output electrolytic capacitor C_o of around $470\mu F$ or chip ceramic capacitor of around $30\mu F$ should be connected to the output side of BR300.
 - ※For the C_{in} , YXF made by Rubycon or equivalent for switching power supplies is recommended.
 - For the C_o , low impedance ZL made by Rubycon or three ceramic capacitors (GRM31CR71E106KA12 made by Murata) connected in parallel or equivalent for switching power supplies is recommended.
- Depending on PCB layout, output voltage ripple could be amplified. Please check the output voltage ripple on your set.



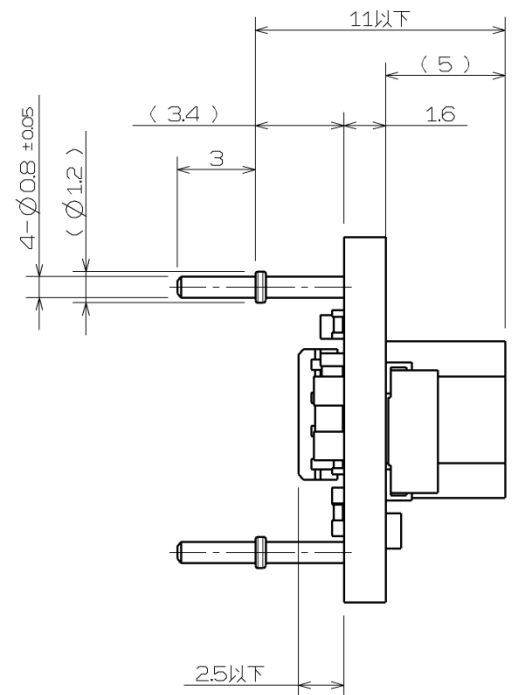
Typical application circuit example

BR300

Package Outline



Bottom view



*寸法は、ピン根元での寸法規定とする

NOTES:

- 1) All dimensions are in millimeters
- 2) The tolerance is ± 0.3 mm unless otherwise specified.
- 3) Dimensions shown in () are reference dimensions.
- 4) Pb-free. Device composition compliant with the RoHS directive

OPERATING PRECAUTIONS

Because reliability can be affected adversely by improper storage environments and handling methods, please observe the following cautions.

Cautions for Storage

- Ensure that storage conditions comply with the standard temperature (5 to 35°C) and the standard relative humidity (around 40 to 75%); avoid storage locations that experience extreme changes in temperature or humidity.
- Avoid locations where dust or harmful gases are present and avoid direct sunlight.
- Reinspect for rust on leads and solderability of products that have been stored for a long time.

Cautions for Testing and Handling

- When tests are carried out during inspection testing and other standard test periods, protect the products from power surges from the testing products, shorts between the product pins, and wrong connections. In addition, avoid tests exceeded ratings

Soldering

- When soldering the products, please be sure to minimize the working time, within the following limits.
 - 260±5°C 10±1 s(Flow, 2times)
 - 350±5°C 3.0±0.5s (Soldering iron, 1time)At a distance of 3.4mm from the main body of the Products.

Electrostatic Discharge

- When handling the products, the operator must be grounded. To prevent shock hazard, grounded wrist straps should be used and at least 1MΩ of resistance from the operator to ground should be placed near the operator.
- Workbenches where the products are handled should be grounded and be provided with conductive table and floor mats.
- When using measuring equipment such as a curve tracer, the equipment should be grounded.
- When soldering the products, the head of a soldering irons or the solder bath must be grounded in order to prevent leak voltages generated by them from being applied to the products.
- The products should always be stored and transported in SanKen shipping containers or conductive containers, or be wrapped in aluminum foil.

IMPORTANT NOTES

- The contents in this document are subject to changes, for improvement and other purposes, without notice. Make sure that this is the latest revision of the document before use.
- Application and operation examples described in this document are quoted for the sole purpose of reference for the use of the products herein and SanKen can assume no responsibility for any infringement of industrial property rights, intellectual property rights or any other rights of SanKen or any third party which may result from its use.
- Although SanKen undertakes to enhance the quality and reliability of its products, the occurrence of failure and defect of semiconductor products at a certain rate is inevitable. Users of SanKen products are requested to take, at their own risk, preventative measures including safety design of the equipment or systems against any possible injury, death, fires or damages to the society due to device failure or malfunction.
- SanKen products listed in this document are designed and intended for the use as components in general purpose electronic equipment or apparatus (home appliances, office equipment, telecommunication equipment, measuring equipment, etc.).
When considering the use of SanKen products in the applications where higher reliability is required (transportation equipment and its control systems, traffic signal control systems or equipment, fire/crime alarm systems, various safety devices, etc.), and whenever long life expectancy is required even in general purpose electronic equipment or apparatus, please contact your nearest SanKen sales representative to discuss, prior to the use of the products herein.
The use of SanKen products without the written consent of SanKen in the applications where extremely high reliability is required (aerospace equipment, nuclear power control systems, life support systems, etc.) is strictly prohibited.
- Anti radioactive ray design is not considered for the products listed herein.
- SanKen assumes no responsibility for any troubles, such as dropping products caused during transportation out of SanKen's distribution network.
- The contents in this document must not be transcribed or copied without SanKen's written consent.