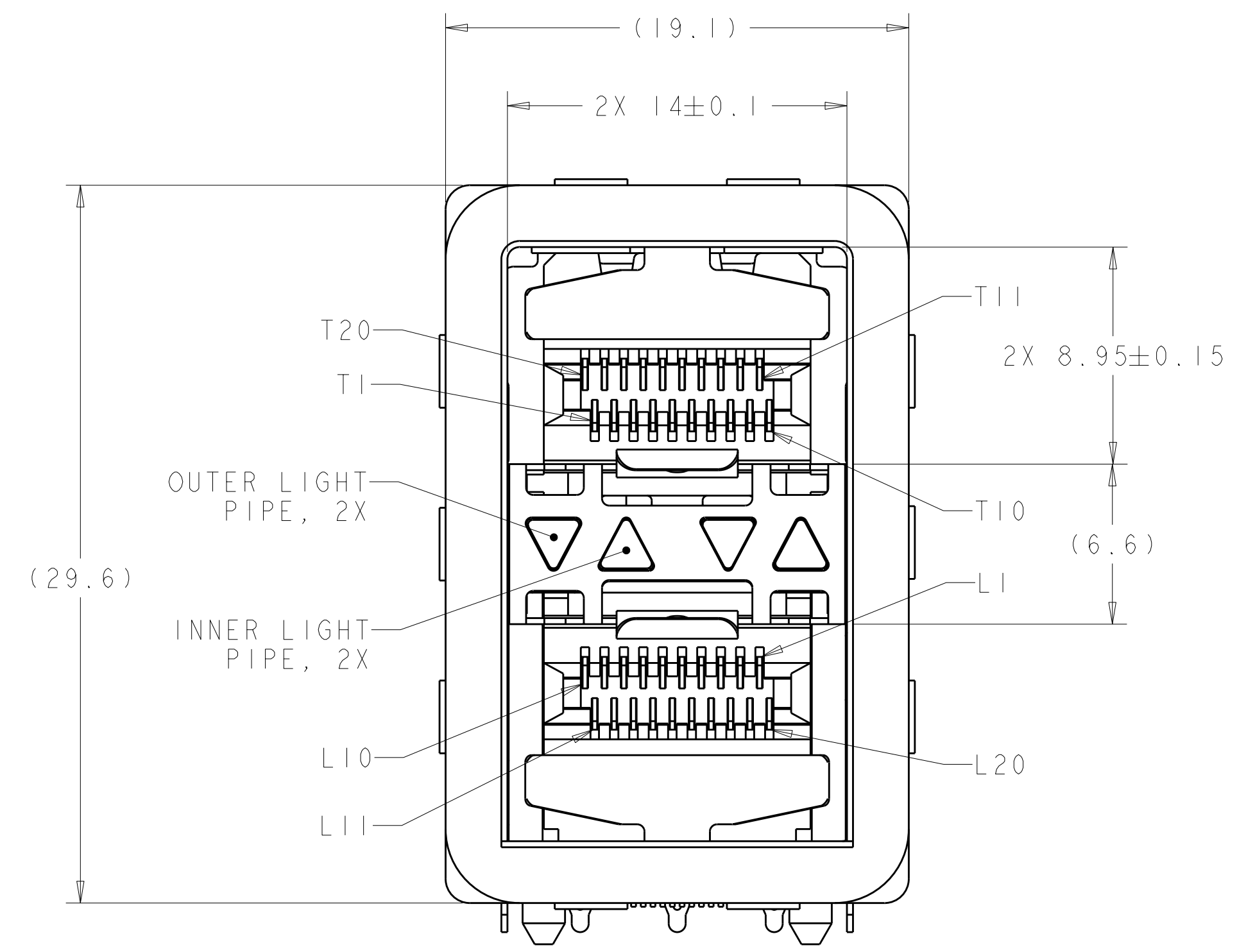
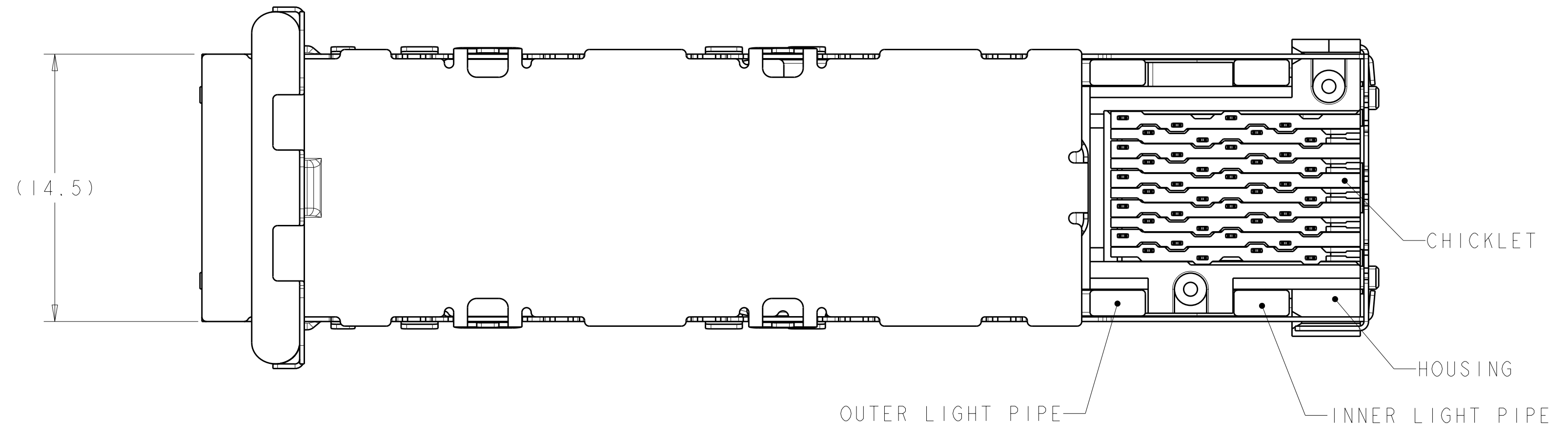
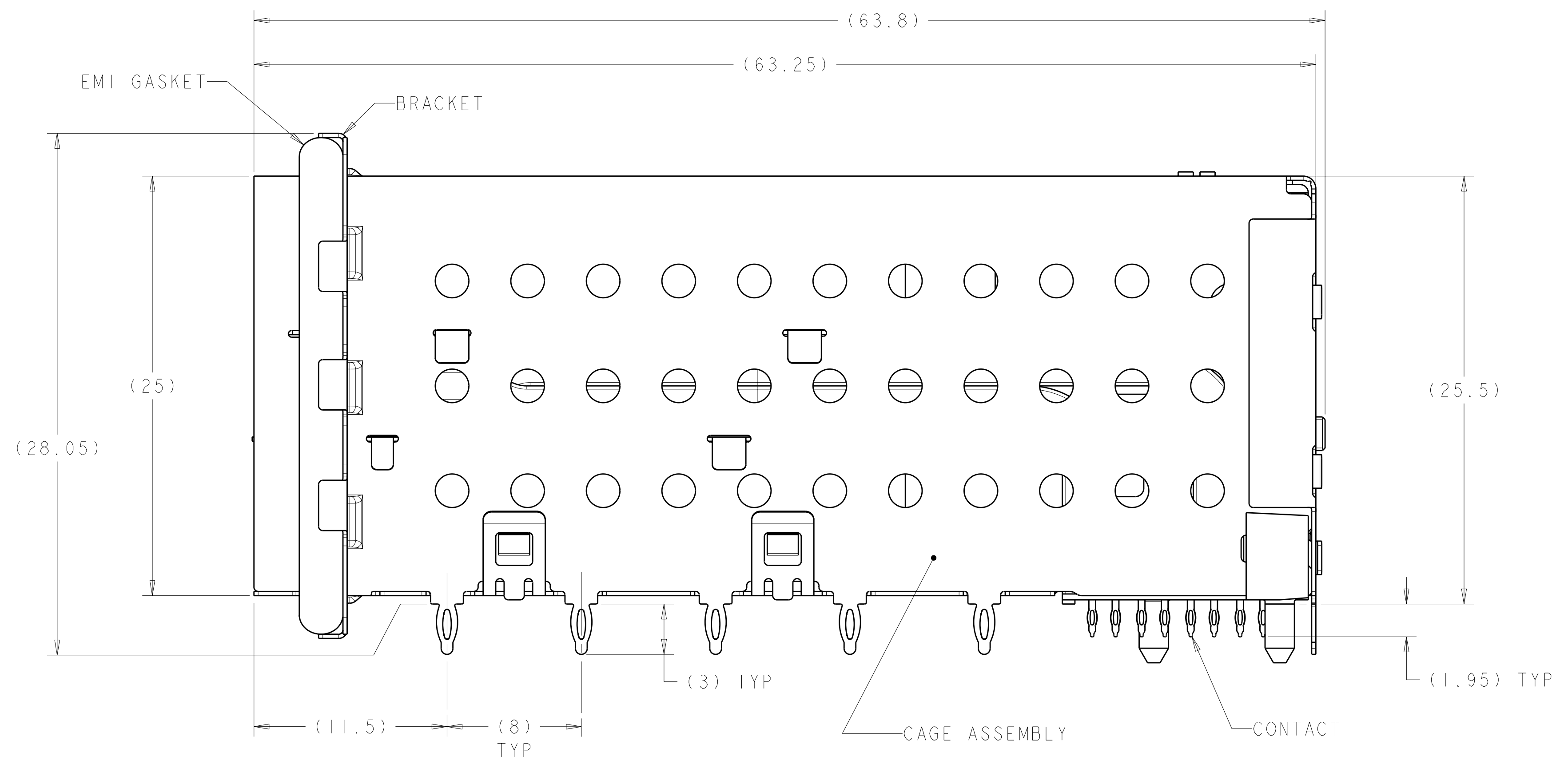


LOC	DIST	REVISIONS					
GP	00	P	LTR	DESCRIPTION	DATE	DWN	APVD
		A		RELEASED PER ECO-10-000098	19JAN2010	CR	MS
		A1		ADDED ALT. PANEL CUT-OUT	09MAR2010	CR	MS
		B		REVISED PER ECO-10-015148	25OCT2010	CJV	JRP



2007538-1 AS SHOWN

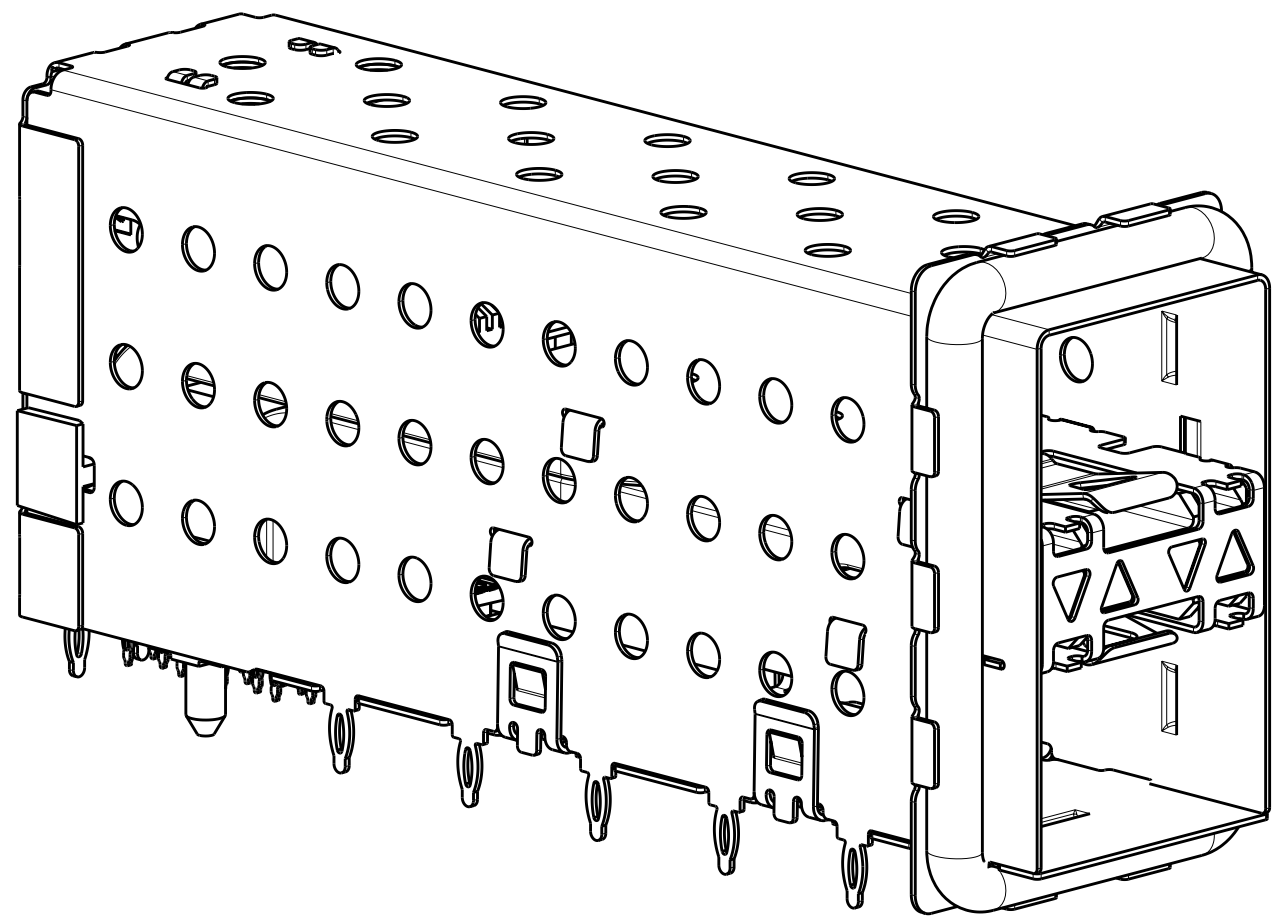


- ⚠ MATERIALS:
 CAGE ASSEMBLY- NICKEL SILVER ALLOY PER ASTM B 122.
 BRACKET- STAINLESS STEEL.
 EMI GASKET- PLATED FILLED SILICONE.
 HOUSING- BLACK LCP, UL 94V-0 RATED.
 CHICKLET- BLACK LCP, UL 94V-0 RATED.
 LIGHT PIPE- POLYCARBONATE, CLEAR, UL 94V-2 RATED.
 INSERT - (FOR LIGHT PIPE PART NUMBERS ONLY) - PBT, BLACK, UL 94V-0.
 CONTACT- COPPER ALLOY.
- ⚠ DATUM AND BASIC DIMENSIONS ESTABLISHED BY CUSTOMER.
- 3. MINIMUM PCB THICKNESS OF 1.5.
- ⚠ CONTACT FINISH- CONFORMS TO THE REQUIREMENTS OF TYCO ELECTRONICS PRODUCT SPECIFICATION 108-2331, BASED ON EIA/ECA-364-1000.01A, (CONTROLLED ENVIRONMENT APPLICATIONS) ON MATING INTERFACE, TIN-LEAD ON NEEDLE EYE.
- ⚠ CONTACT FINISH- CONFORMS TO THE REQUIREMENTS OF TYCO ELECTRONICS PRODUCT SPECIFICATION 108-2331, BASED ON EIA/ECA-364-1000.01A, (CONTROLLED ENVIRONMENT APPLICATIONS) ON MATING INTERFACE, TIN ON NEEDLE EYE.
- ⚠ FOR HOLE SIZE AND PLATINGS, SEE APPLICATION SPEC 114-13219.
- ⚠ THE ENTIRE AREA OF THE CONNECTOR FOOTPRINT, INDICATED BY THE DASHED LINE, TO BE CONSIDERED THE KEEPOUT AREA FOR COMPONENTS AND SIGNAL TRACES, TOP SIDE ONLY. TOP SIDE TRACES ALLOWED WITHIN CONNECTOR HOLE PATTERN.
- ⚠ LIGHT PIPE PAD LAYOUT IS FOR 0805 LOW PROFILE LED PACKAGE WITH A HEIGHT OF 0.8mm.

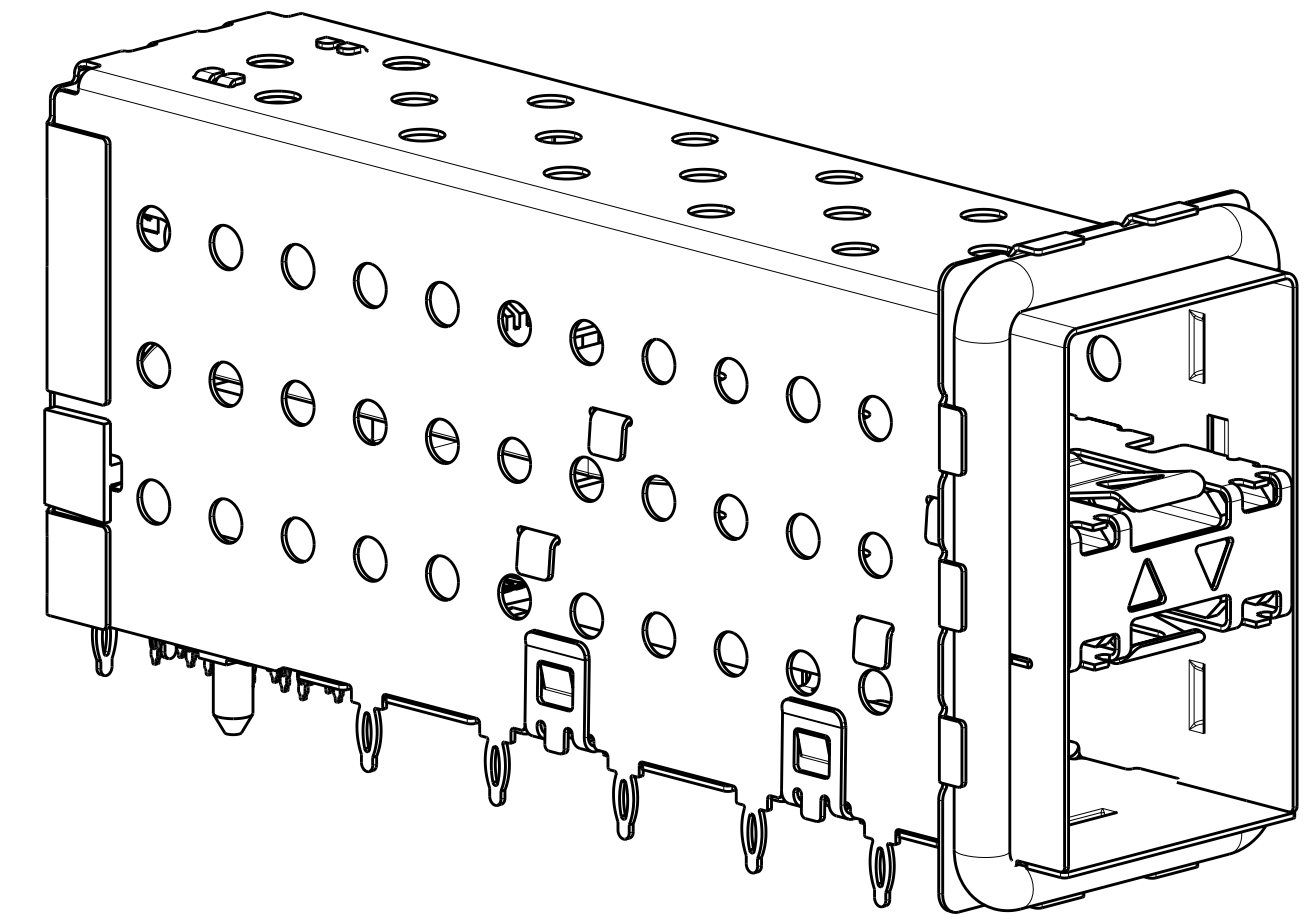
FINISH	DESCRIPTION	PART NUMBER
5	NO LIGHT PIPES	2007538-8
	OUTER 2 LIGHT PIPES	2007538-7
	INNER 2 LIGHT PIPES	2007538-6
4	4 LIGHT PIPES	2007538-5
	NO LIGHT PIPES	2007538-4
	OUTER 2 LIGHT PIPES	2007538-3
	INNER 2 LIGHT PIPES	2007538-2
	4 LIGHT PIPES	2007538-1

DIMENSIONS: mm 9 PLC ±0.10 2 PLC ±0.10 3 PLC ±0.10 5 PLC ±0.10 4 PLC ±* ANGLES ±*		TOLERANCES UNLESS OTHERWISE SPECIFIED: 9 PLC ±0.10 2 PLC ±0.10 3 PLC ±0.10 5 PLC ±0.10 4 PLC ±* ANGLES ±*		DWN M. SHIRK 03JAN2007 CHK D. SZCZESNY 03JAN2007 APVD D. SZCZESNY 03JAN2007 PRODUCT SPEC 108-2331 APPLICATION SPEC 114-13219 WEIGHT CUSTOMER DRAWING		Tyco Electronics Harrisburg, PA 17105-3608 NAME CAGE AND PT CONNECTOR ASSEMBLY, WITH EMI GASKET, PRESS FIT, 2X1, STACKED SFP+ SIZE CAGE CODE DRAWING NO A100779C=2007538 SCALE 5:1 SHEET 1 OF 4 REV B	
--	--	---	--	--	--	--	--

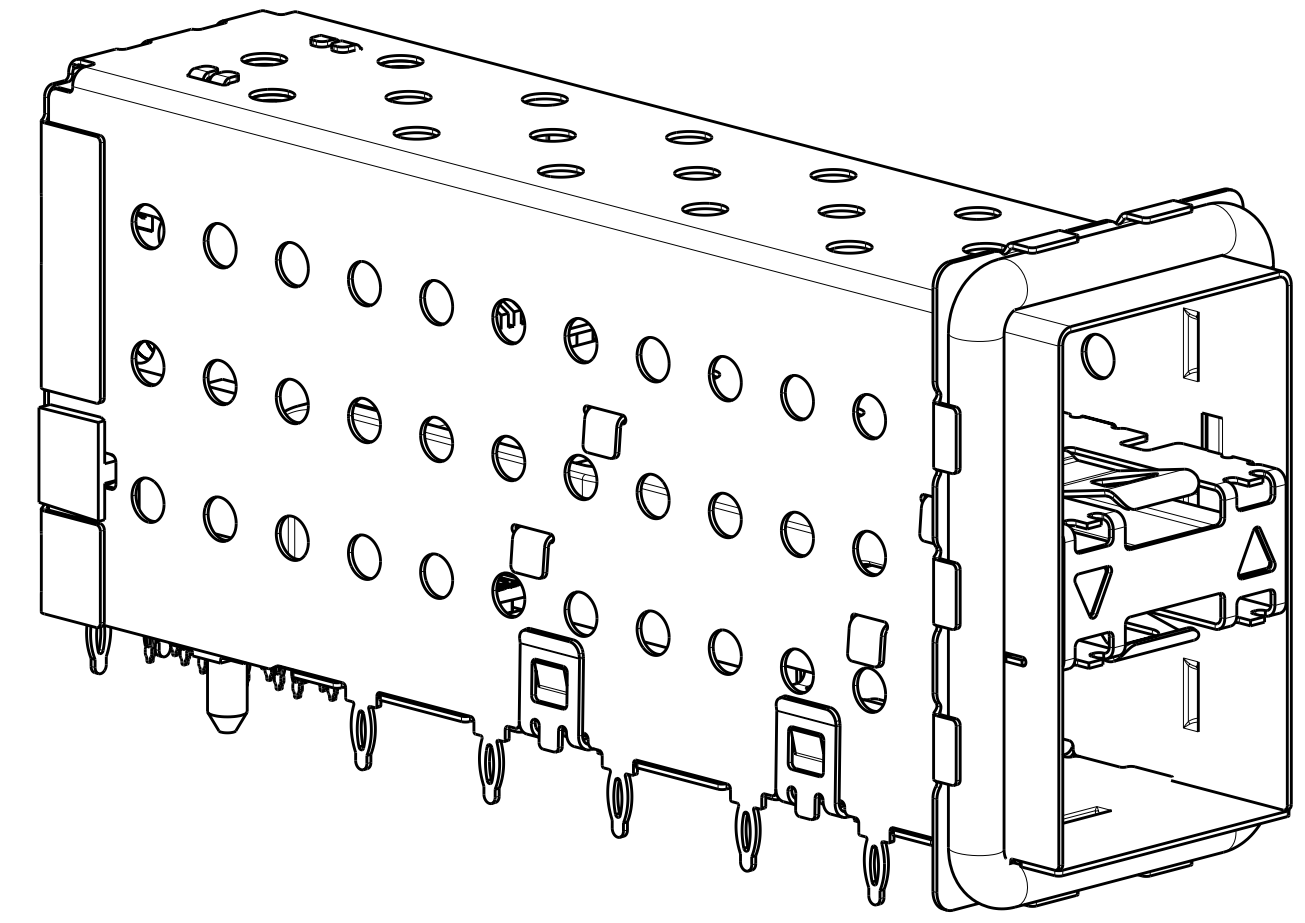
LOC	DIST	REVISIONS			
P	LTB	DESCRIPTION	DATE	DWN	APVD
GP	00	SEE SHEET 1			



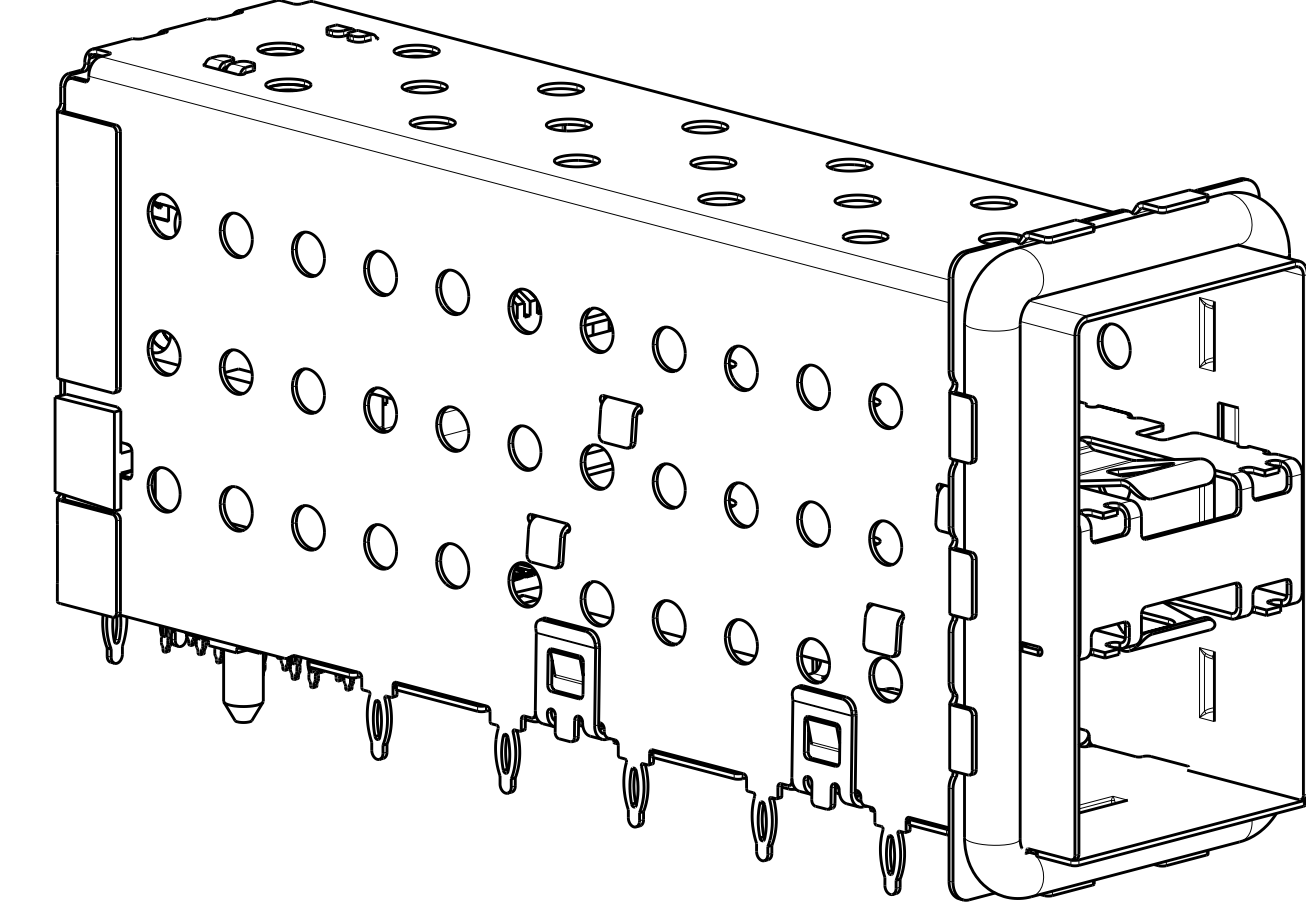
2007538-1 AND 2007538-5
 SCALE 3:1



2007538-2 AND 2007538-6
 SCALE 3:1



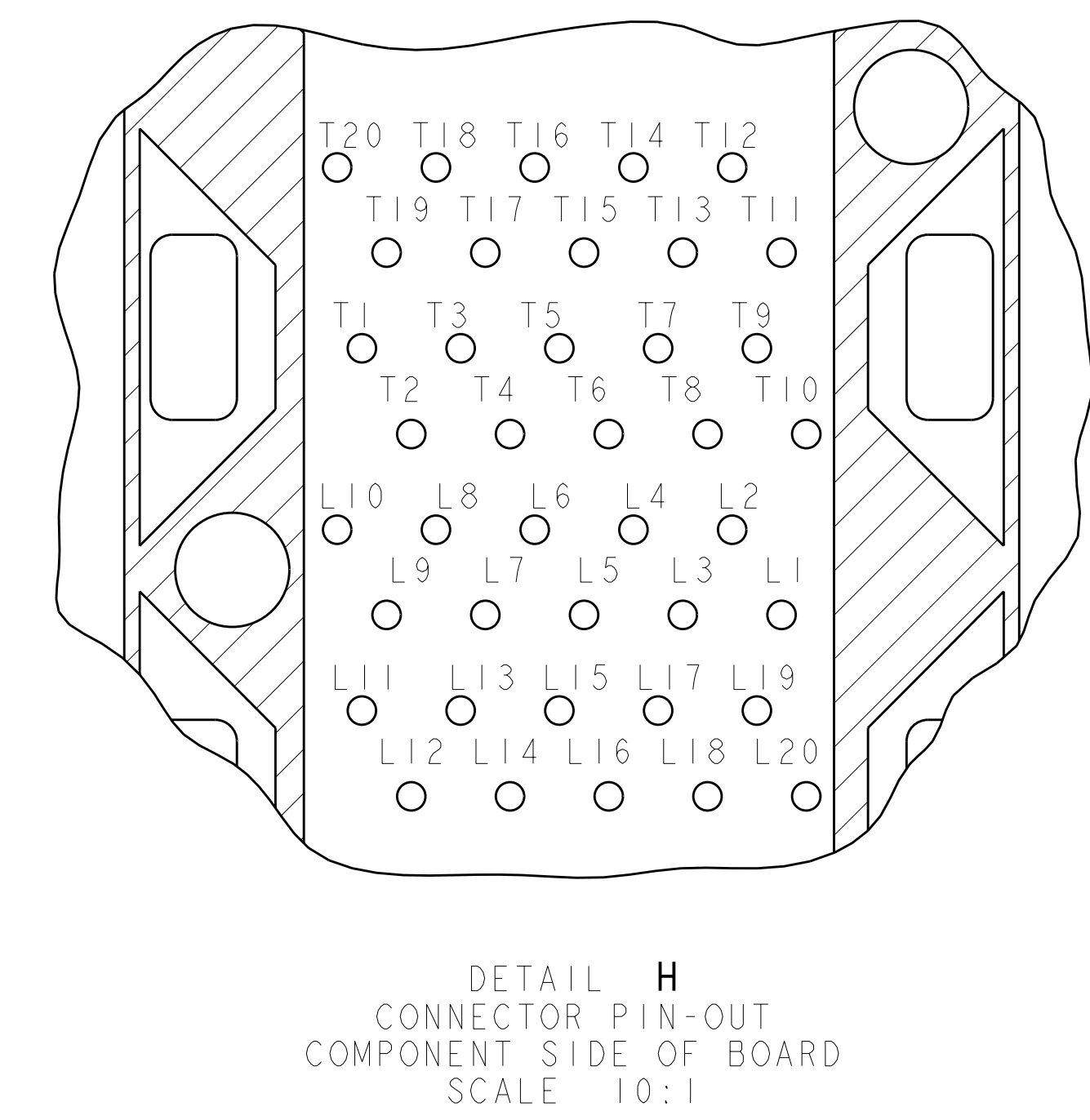
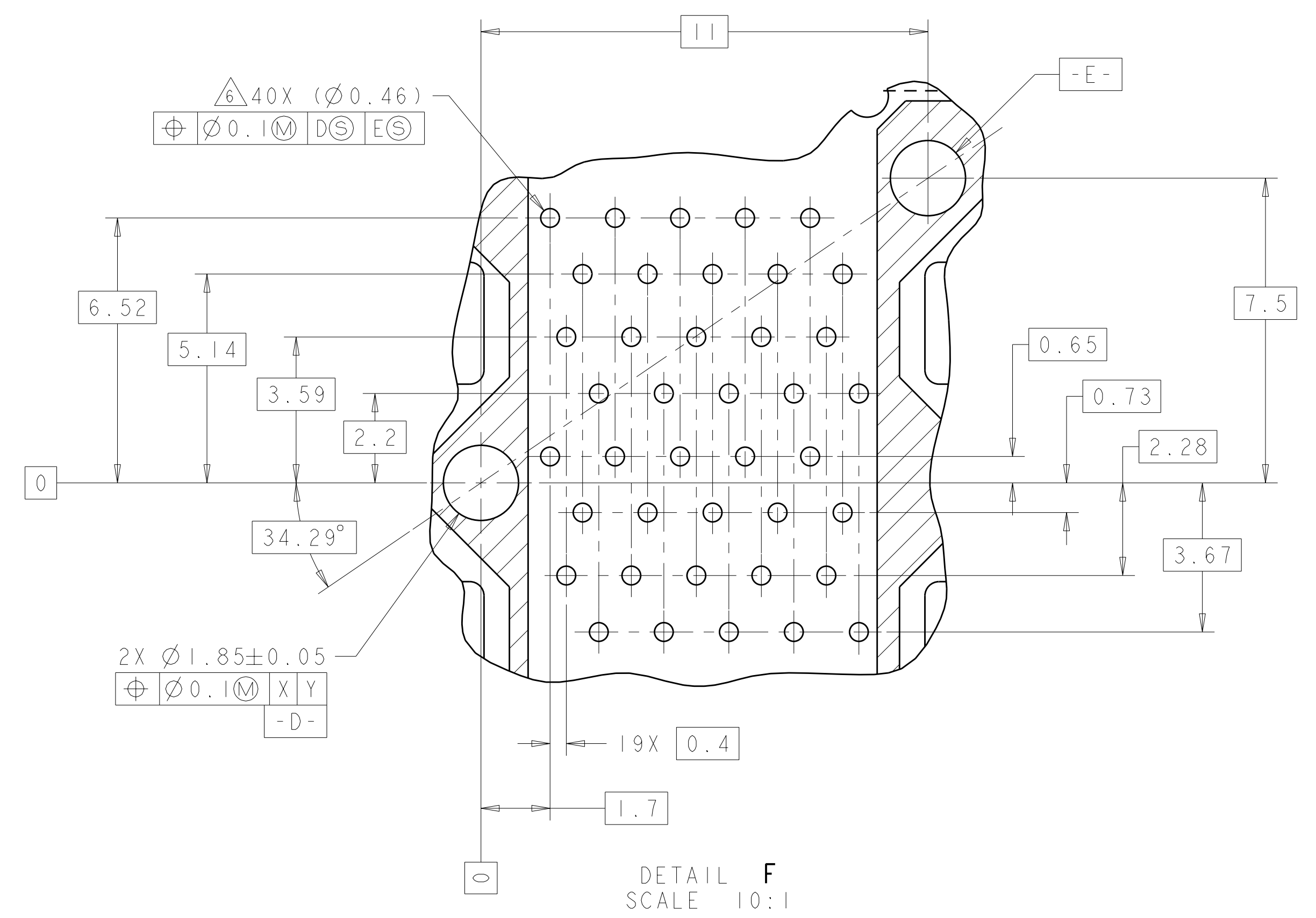
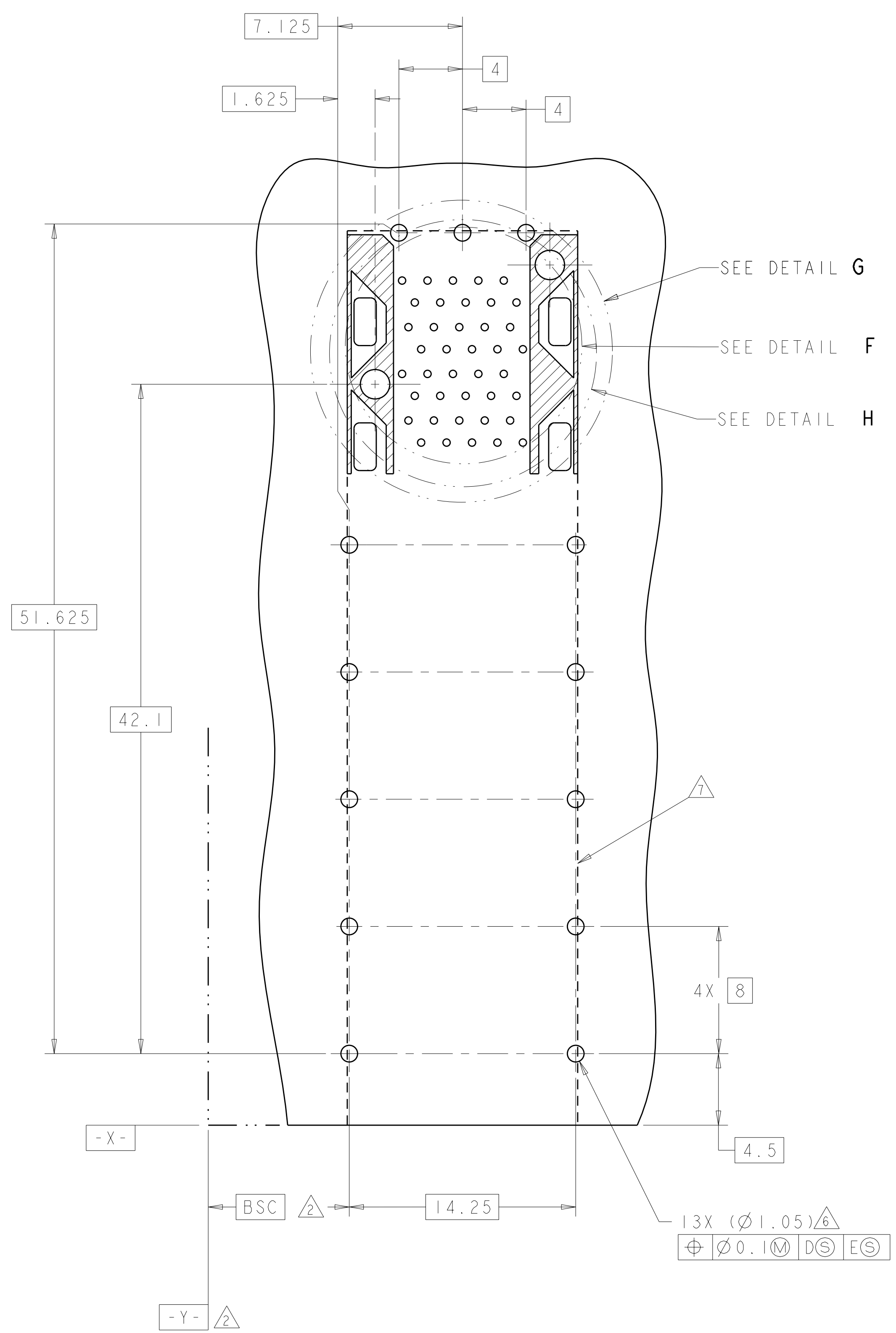
2007538-3 AND 2007538-7
 SCALE 3:1



2007538-4 AND 2007538-8
 SCALE 3:1

<small>THIS DRAWING IS UNPUBLISHED. RELEASED FOR PUBLICATION BY TYCO ELECTRONICS CORPORATION. ALL RIGHTS RESERVED.</small>		DWN M. SHIRK 03JAN2007 CHK D. SZCZESNY 03JAN2007 APVD D. SZCZESNY 03JAN2007	Tyco Electronics Tyco Electronics Harrisburg, PA 17105-3608
DIMENSIONS: mm 	TOLERANCES UNLESS OTHERWISE SPECIFIED: 0 PLC ±0.10 1 PLC ±0.10 2 PLC ±0.10 3 PLC ±0.10 4 PLC ±0.10 ANGLES ±°	NAME CAGE AND PT CONNECTOR ASSEMBLY, WITH EMI GASKET, PRESS FIT, 2X1, STACKED SFP+	RESTRICTED TO
MATERIAL	FINISH	PRODUCT SPEC 108-2331 APPLICATION SPEC 114-13219 WEIGHT CUSTOMER DRAWING	SIZE CAGE CODE DRAWING NO A 100779 C=2007538 SCALE 5:1 SHEET 2 OF 4 REV B

LOC	DIST	REV	DATE	BY	APPD
GP	00				
DESCRIPTION			DATE	DWN	APPD
SEE SHEET 1					



DIMENSIONS: mm 		TOLERANCES UNLESS OTHERWISE SPECIFIED: 9 PLC ±0.10 5 PLC ±0.10 4 PLC ±0.10 ANGLES ±°		DWN: M. SHIRK 03JAN2007 CHK: D. SZCZESNY 03JAN2007 APVD: D. SZCZESNY 03JAN2007 PRODUCT SPEC: 108-2331 APPLICATION SPEC: 114-13219 WEIGHT: - CUSTOMER DRAWING		Tyco Electronics Harrisburg, PA 17105-3608 NAME: CAGE AND PT CONNECTOR ASSEMBLY, WITH EMI GASKET, PRESS FIT, 2X1, STACKED SFP+ SIZE: A100779 CAGE CODE: C=2007538 SCALE: 5:1 SHEET 3 OF 4 REV B	
-----------------------	--	--	--	--	--	--	--

