

# Product Information



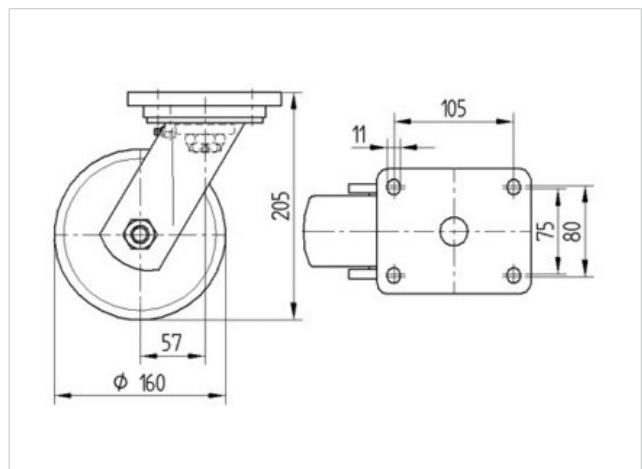
## 9650FTP160P63

EAN 4031582314175

Swivel castor, housing and plate steel-welded, bright zinc plated, blue passivated, sealed swivel bearing with dual purpose bearing and tapered roller bearing, threaded king pin and locking nut secured, grease nipple, wheel axle with nut, plate fitting. Wheel centre made of cast iron, Tread: Polyurethane, casted, precision ball bearing



Technical Data	
Wheel diameter	160 mm
Width of Tread	50 mm
Size of Plate	135 x 110 mm
Plate hole centres	105 x 80/75 mm
Plate hole	11 mm
Offset	58 mm
Swivel Interference	276 mm
Overall height	205 mm
Temperature	- 20 / + 60 °C
Standard	EN 12533
Weight	5.985 kg
Swivel Radius	138 mm
Hardness of tread	A 92 Shore
Load capacity	750 kg
Load capacity (static)	1500 kg



Roll performance	+	+	+	+	+
Movement noise	+	+	+	+	+
Attrition	+	+	+	+	+
Corrosion resistance	+	+	+	+	+

# Product Information



## 9650FTP160P63

EAN 4031582314175

