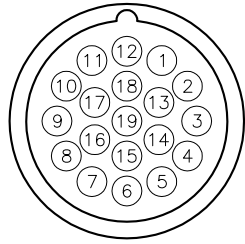
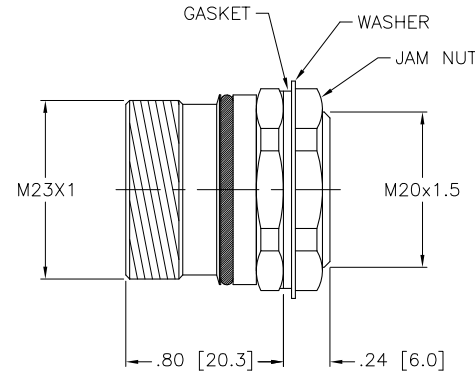
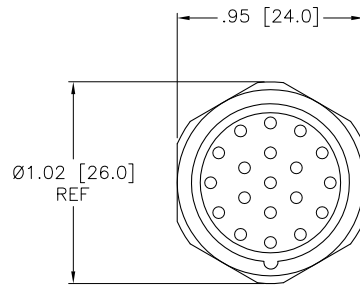


MALE END VIEW



SPECIFICATIONS

| | |
|------------------------------------|---------------------------------|
| CONTACT CARRIER MATERIAL | NYLON or PBT |
| CONTACT MATERIAL/PLATING | GOLD-PLATED BRASS |
| CONNECTOR HOUSING MATERIAL/PLATING | NICKEL-PLATED BRASS |
| GASKET | RUBBER (NBR or FPM) |
| RATED CURRENT [A] | 8.0 A 22 AWG / 10.0 A 18 AWG |
| RATED VOLTAGE [V] | 150 V |
| MAXIMUM CONDUCTOR SIZE (AWG) | 16x22 AWG / 3x18 AWG |
| TERMINATION METHOD | SOLDER LUG |
| PROTECTION CLASS | MEETS NEMA 1,3,4,6 AND IEC IP67 |
| TEMPERATURE | -40°C TO +125°C |



SOURCE DRAWING - FOR REFERENCE ONLY

| | | | | | | | |
|----------------------|-----------------|---|----|---|----------|--|-----------|
| RELATED DOCUMENTS | | 3RD ANGLE PROJECTION | | THIS DRAWING IS PROPERTY OF TURCK INC. USE OF THIS DOCUMENT WITHOUT WRITTEN PERMISSION IS PROHIBITED. | | TURCK INC High Technology Sensors and Automation Controls 3000 CAMPUS DRIVE MINNEAPOLIS, MN 55441 1-800-544-7769 (763) 553-7300 (763) 553-0708 fax turck.com | |
| 1. 2. 3. 4. | | | | DRFT | JB | DATE | 09/10/01 |
| MATERIAL | | ALL DIMENSIONS DISPLAYED ON THIS DRAWING ARE FOR REFERENCE ONLY | | DSGN | JB | SCALE | 1=1.0 |
| SEE SPECIFICATIONS | | CONTACT TURCK FOR MORE INFORMATION | | UNIT OF MEASUREMENT | | DESCRIPTION | |
| FINISH | | INCH [MILLIMETER] | | IDENTIFICATION NO. | | REV | |
| SEE SPECIFICATIONS | | DO NOT SCALE THIS DRAWING | | U4563 | | A | |
| A | DRAWING RELEASE | BY | JB | DATE | 09/10/01 | FILE: | M23\U4563 |
| REV | DESCRIPTION | BY | | DATE | | ECO NO. | |