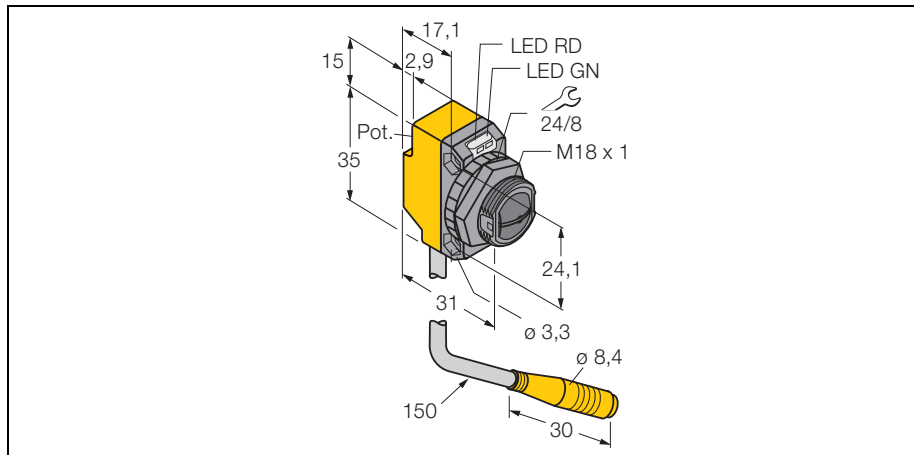
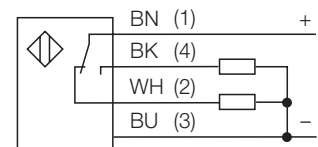


Photoelectric sensor Reflexionslichttaster QS18VP6DQ



- compact housing
- rectangular
- alarm function
- LED 360° visible
- Connector M8x1
-

Wiring diagram

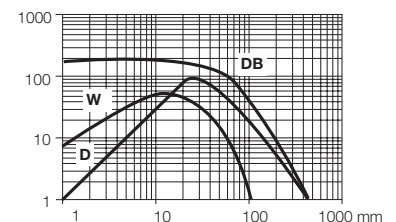


Function principles

Like retro-reflective sensors, diffuse mode sensors contain both emitter and receiver in one housing. In this sensing mode, an object is detected by reflecting a sufficient amount of the emitted light back to the receiver and not by interruption of the beam. A target will be detected, if sufficient light is reflected back to the receiver. The switching distance of diffuse mode sensor largely depends on the reflectivity factor. Diffuse mode sensors (with and without background suppression or convergent mode sensors) are especially suited for detection of transparent object.

Excess gain curve

Excess gain in relation to the distance



Type	QS18VP6DQ
Ident-No.	3061655
Type of light	IR
Wave length	940 nm
Range	450 mm
Rated operational voltage (DC) U_B	10... 30 VDC
Rated operational current (DC) I_e	≤ 100 mA
No-load current I_0	≤ 32 mA
Short-circuit protection	yes, cyclic
Reverse polarity protection	yes
Output function	normally open / normally closed, PNP
Max. switching frequency	≤ 0,8 kHz
Max. switch-on delay	≤ 100 ms
Degree of protection	IP67
Operation temperature	-20...+ 70 °C
Housing style	rectangular; QS18
Housing material	plastic, ABS
Wiring	connector, M8 x 1
Supply voltage indication	LED green
Switching status indication	LED yellow
Error indication	LED green flash
Alarm indication	LED yellow flash