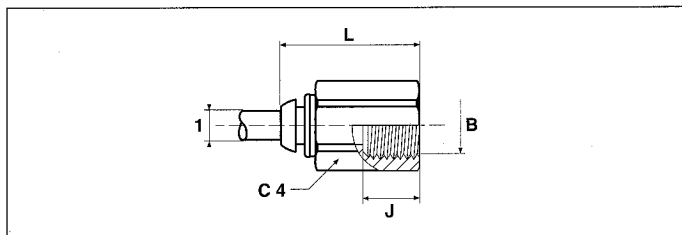
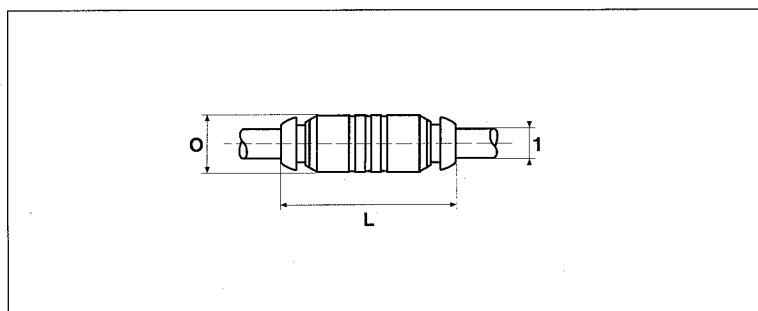


G4PB - Female connector - BSPP



1	B	Part number	C4	J	L	Weight g.
4	1/8	G4PB4-1/8	14	9.5	26.0	22
6	1/8	G4PB6-1/8	14	9.5	27.5	21
6	1/4	G4PB6-1/4	17	14.0	33.0	22
8	1/8	G4PB8-1/8	17	9.5	29.0	44
8	1/4	G4PB8-1/4	17	14.0	33.0	29

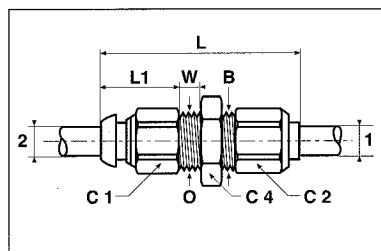
HPB - Equal union



1	Part number	Circlips*	L	O	Weight g.
4	HPB4	CIR4	33.0	10	11
5	HPB5	CIR5	34.5	11	15
6	HPB6	CIR6	36.0	12	13
8	HPB8	CIR8	38.0	14	16
10	HPB10	CIR10	48.0	17	27
12	HPB12	CIR12	48.0	21	58
14	HPB14	CIR14	54.0	22	71

* Unions can be used as bulkhead unions. Simply mount two circlips in the machined grooves provided. Three grooves are provided to allow for a range of wall thickness : 1.5, 2 and 5 mm. (For circlips part number, see chart above).

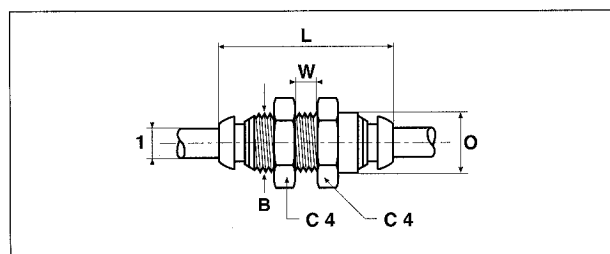
WBMPB - Mixed bulkhead equal union



1	2	B	Part number	C1	C2	C4	L	L1	O	W Max.	Weight g.
4	4	M8x1	WBMPB4	10	10	12	34	15	8.5	5	22
6	6	M10x1	WBMPB6	12	10	12	37	16	10.5	5	22
8	8	M12x1	WBMPB8	14	14	16	39	17	12.5	5	29
10	10	M14x1	WBMPB10	17	17	19	45	20	14.5	5	50
12	12	M16x1	WBMPB12	22	19	22	49	21	16.5	5	85
14	14	M18x1	WBMPB14	24	22	22	52	23	18.5	7	112

This bulkhead fitting combines a Prestolok and Metru-Lok connection, to connect a copper tube with a plastic tube.

WPB - Bulkhead equal union



1	B	Part number	C4	L	O	W Max.	Weight g.
4	M11x0.75	WPB4	16	33	11.5	6	18
6	M13x1	WPB6	19	35	13.5	6	22
8	M16x1.25	WPB8	22	36	16.5	6	27
10	M18x1	WPB10	22	43	18.5	8	55
12	M23x1.5	WPB12	27	46	23.5	10	109
14	M24x1.5	WPB14	30	52	24.5	10	119

Only items priced in current price list are carried in stock.
Dimensions shown may be changed at any time without prior notice.