

4

3

2

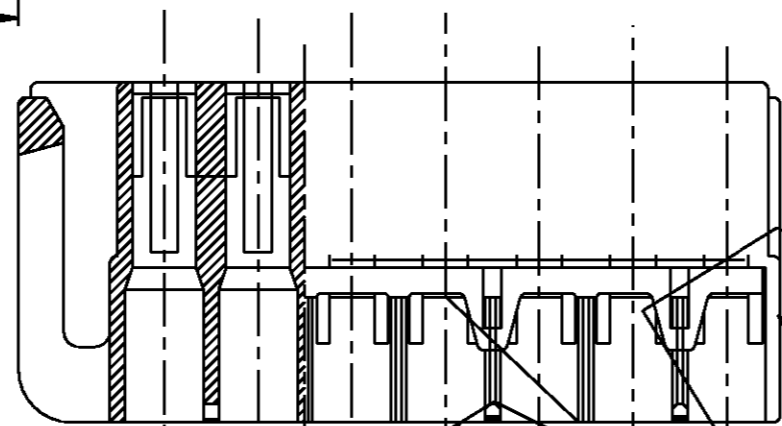
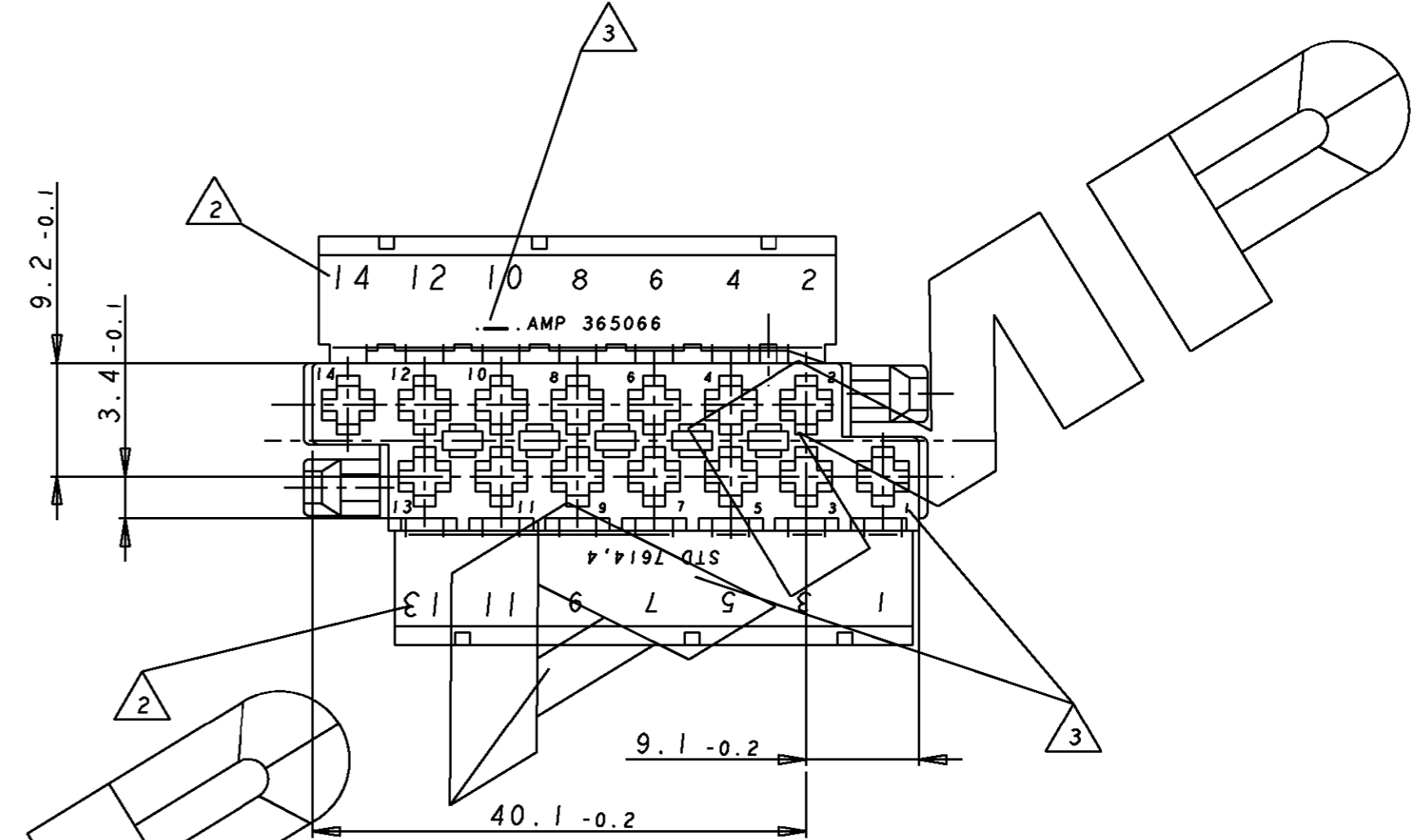
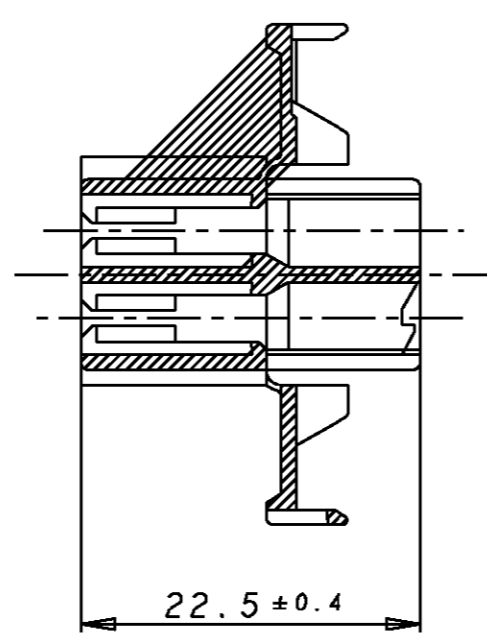
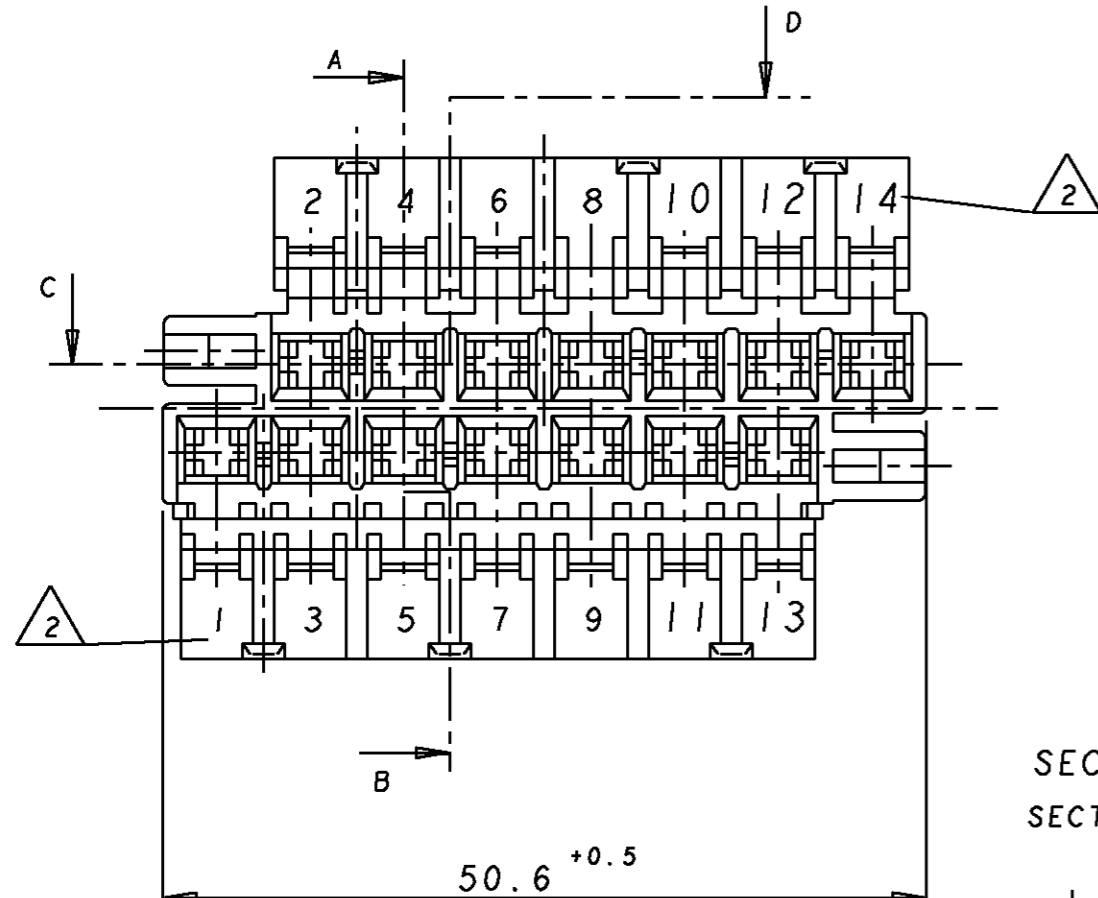
1

CAD-Original

Index	Description	Date	Name
A	REDRAWN	18.02.85	ULLRICH
B	CONT. and DIM.	9.1.86	M. KLAUTKE
C	REDRAWN	28 JUL 87	H. BOUDA
D	TRANSFERRED TO AMPES PER EC ES00-1753-93	15-6-93	J. PASCUAL
E	SEE EC ES00-0023-03	10-2-03	A. HERRANZ

SECCION A-B
SECTION

SECCION C-D
SECTION



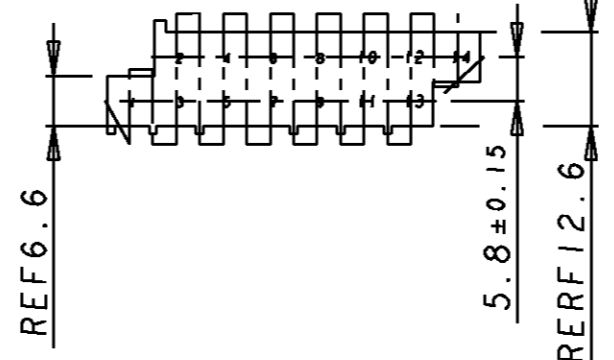
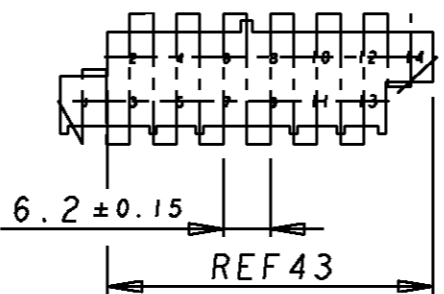
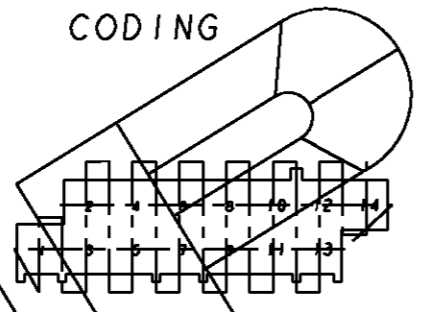
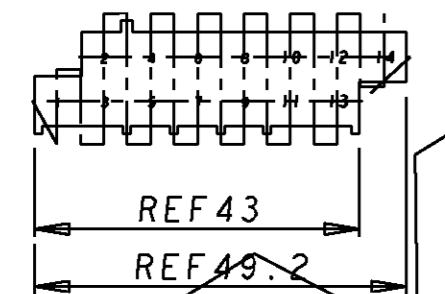
CODIGO 1
CODING

CODIGO 2
CODING

CODIGO 3
CODING

CODIGO 4
CODING

ESCALA
SCALE 1:1



- MATERIAL Y COLORES HAN DE ESTAR LIBRES DE CADMIUM
MATERIAL AND COLORS ARE FREE OF CADMIUM
- ALTURA LETRA 2
CHARACTER HEIGHT 2
- ALTURA LETRA 1
CHARACTER HEIGHT 1
- USAR CON 365065
FITTING WITH 365065
- LAS PIEZAS DEBEN IR EMPAQUETADAS HERMETICAMENTE
Y SU CONTENIDO DE HUMEDAD DEBE SER 2.5±1%
PARTS MUST BE AIR TIGHT PACKAGED,
MOISTURE CONTENT MUST BE 2.5±1%

P 4.2 INSULATION
AISLANTE

DETALLE CAJA CON BISAGRA CERRADA
HOUSING WITH CLOSED FLAP

CUSTOMER DWG

Code NO.	Part Number	Material	Finish Colour	GENERAL TOLERANCES	Formal	DWG NO.	
CODE 4	365066-4	PA 6.6	YELLOW	±0.2 mm	AMP	AMP ESPAÑOLA S.A. BARCELONA ESPAÑA	
CODE 3	365066-3	PA 6.6	BLACK	±1"			
CODE 2	365066-2	PA 6.6	GREY	SCALE 2:1			
CODE 1	365066-1	PA 6.6	NATUR	REV. DWG : E			
				DR 18.10.84	CHK 15-6-93	APP 15-6-93	365066
				R.ULLRICH	J.PASCUAL	L.BATLLO	SHEET 1 OF 1

LOC AL
DIST 2