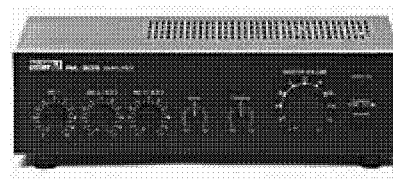


Datasheet

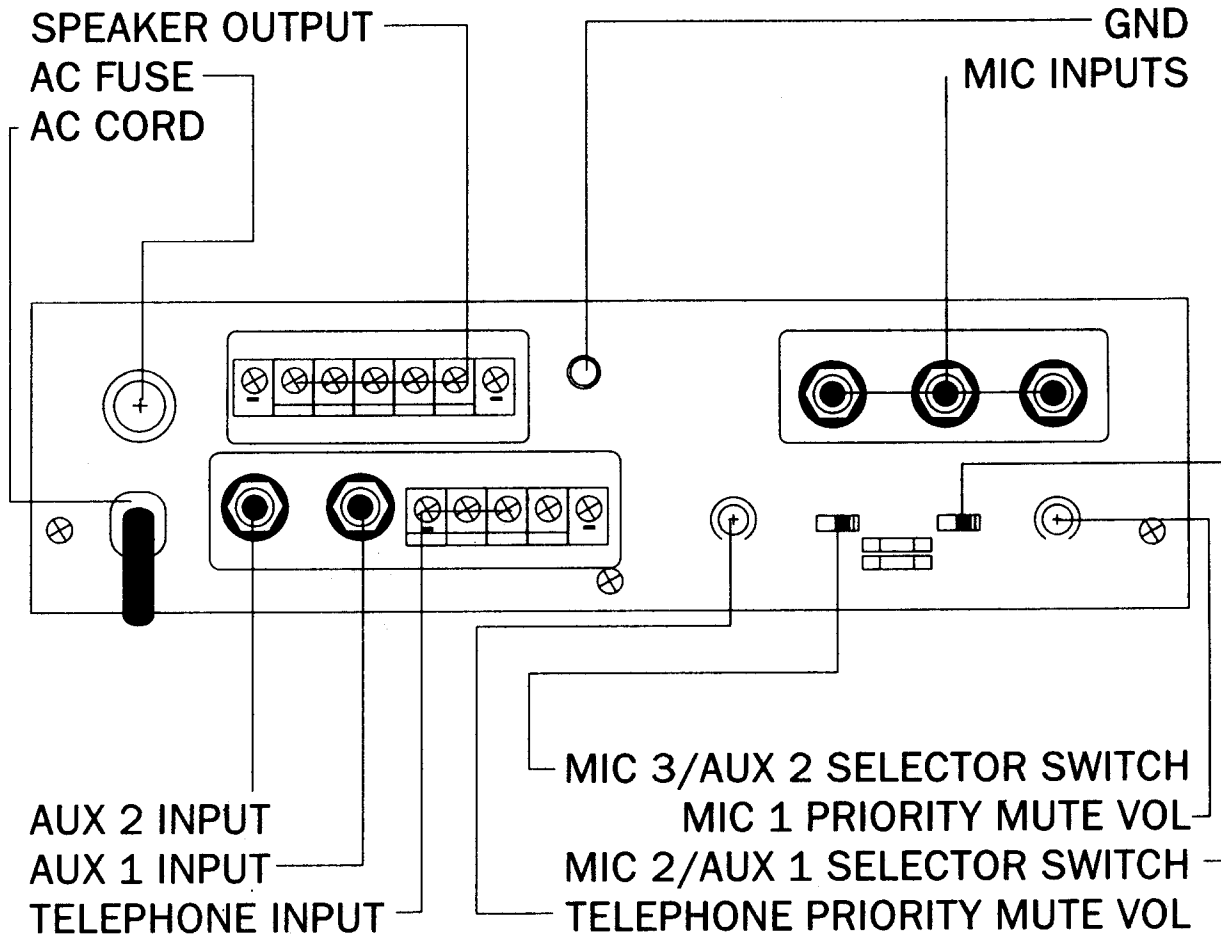
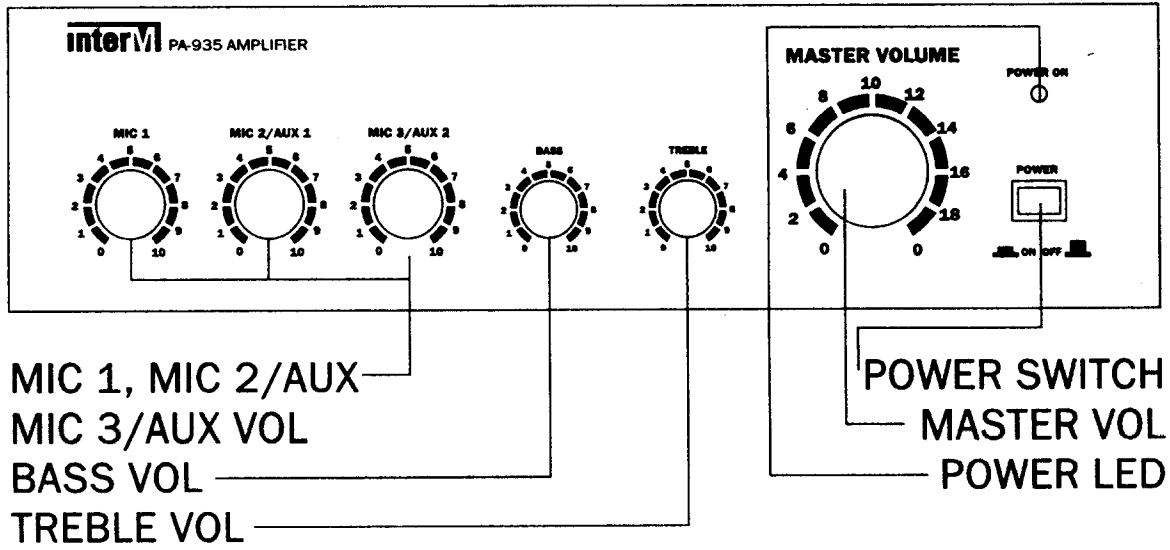
PA-935 35W AMPLIFIER

FEATURES

- Output Power: 35W/100V line
- Inputs: - 3 inputs - MIC 1 , MIC 2/AUX & MIC 3/AUX
- Telephone Input @ 600ohm
- Muting for Priority - Input MIC 1 has automatic priority over MIC 2 and MIC 3 defeatable)
- Telephone input has automatic priority over all other inputs



PART No.:	PA-935
Power Output	35W (RMS)
Output Level/Impedance (Transformer)	11.8V/4ohm, 16.7V/8ohm, 100V/285ohm, 70V/140ohm
Frequency Response	150Hz - 15KHz
Total Harmonic Distortion	Less than 5%
Tone Control Effect	± 10dB
Signal to Noise Ratio	Better than 60dB
Input Sensitivity/Impedance	
Mic	2mV/600ohm
AUX	150mV/1Kohm
Telephone	0.775V/600ohm
Power Source	AC 120V/240V 50Hz/60Hz
Dimensions	290(W) x 76(H) x 196(D) mm
Net Weight	4.4kg

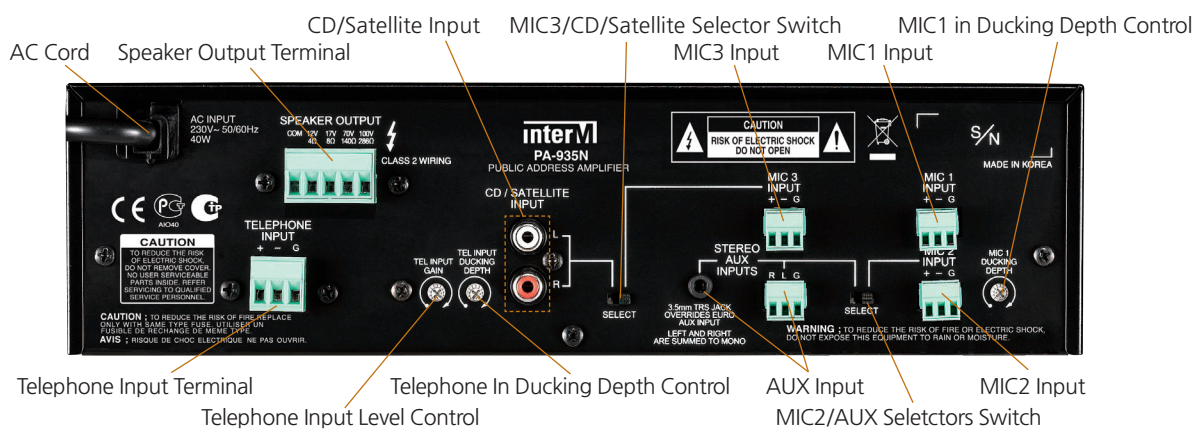




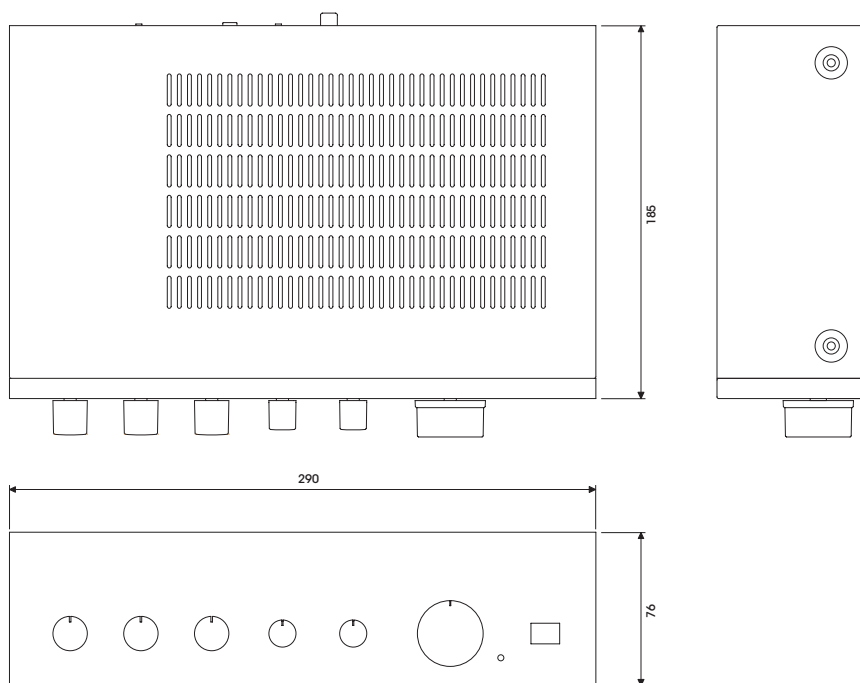
Front Panel



Rear Panel



Dimension





*PA-935N Application

