

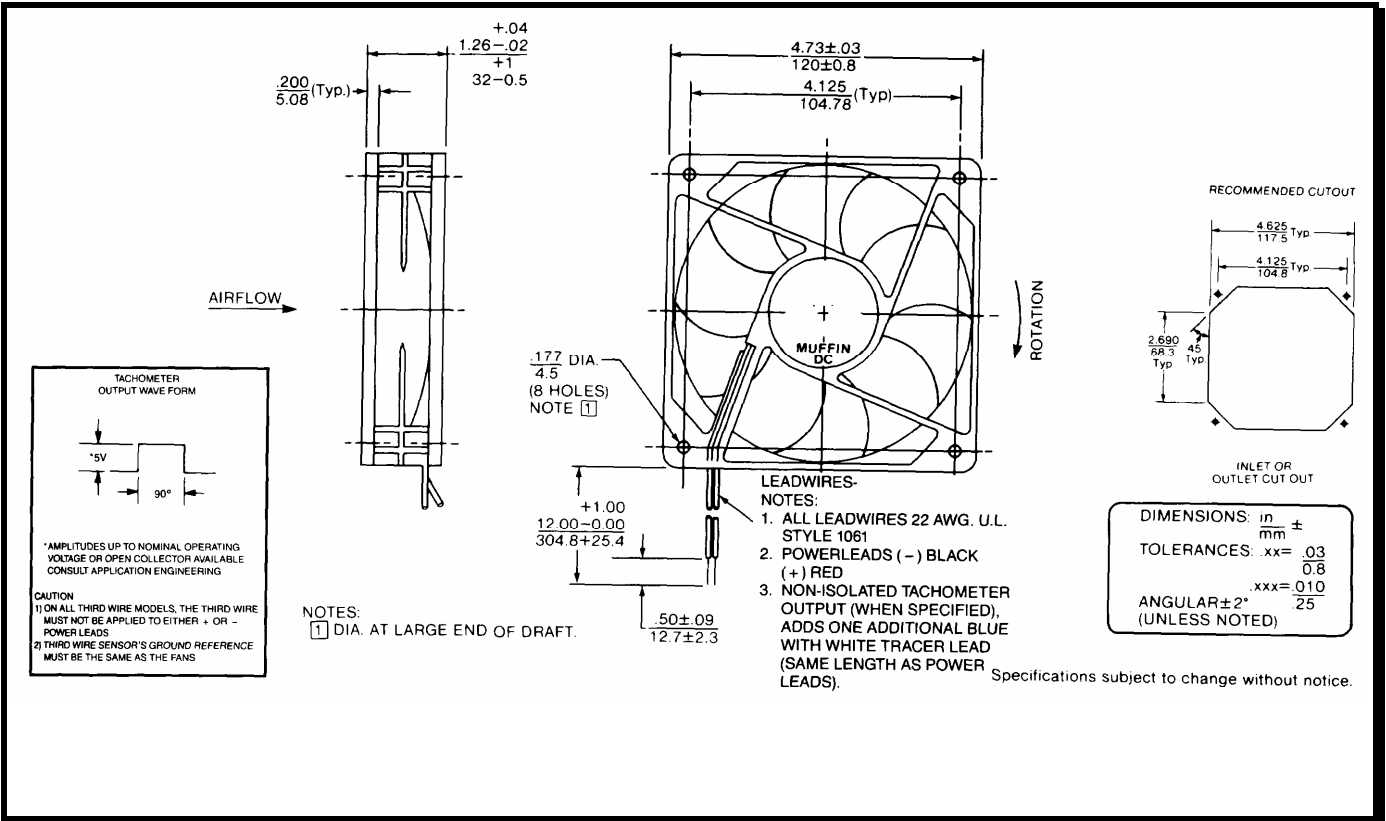
# SPECIFICATIONS



**Model Number:** MC12S3H  
**Part Number:** 032399

**SHREV.A**  
 September 7, 2010

**Mechanical Drawing:**



**Motor (full speed):**  
 Nominal Voltage = 12 vdc  
 Operating Voltage Range = 6 – 14 vdc  
 Nominal Running Current = 0.540 amps  
 Max Locked Rotor Current = 1.00 amps  
 Running Power = 6.4 watts  
 Average Speed = 3200 RPM  
 Bearings = Ball Bearing  
 Air Flow = 90 CFM  
 Acoustic = 45.0 dBA

**Construction:**  
 Venturi: Plastic, Black, UL 94V-0  
 Propeller: Plastic, Black, UL 94V-0

**Life Expectancy:**  
 This fan is designed for continuous duty life of 50,000 hours at 40°C.

**Additional Features:**  
 Brushless DC Motor  
 Electronic Locked Rotor Protected  
 Polarity Protected  
 Automatic Restart Capability  
 Thermal Speed Control  
 Operating Temperature: -10°C to 70°C  
 Storage Temperature: -40°C to 85°C

**Termination:**  
 12" Lead wires, 22AWG, UL 1061  
 PTC on 24" Zip cord  
 Red = Fan Power  
 Black = Fan Ground

**Agency Approvals:**  
 UL,