

**Ordering number C12287\_ANGIE-M2**

Family	Angie	FWHM	(simulated)
Type	Lens array	Efficiency	-
LED	LUXEON Rebel ES	cd/lm	-
Color	Clear	Gerber File	Available
Diameter	34 mm		
Height	10.7 mm		
Style	Round		
Optic Material	PMMA		
Holder Material	-		
Fastening	Pin, glue		
Status	On production		

**NOTE: The typical divergence will be changed by different color, chip size and chip position tolerance. The typical total divergence is the full angle measured where the luminous intensity is half of the peak value.**



## PRODUCT DATASHEET

### Angie series

last update 18/9/2012

PHILIPS  
LUMILEDS

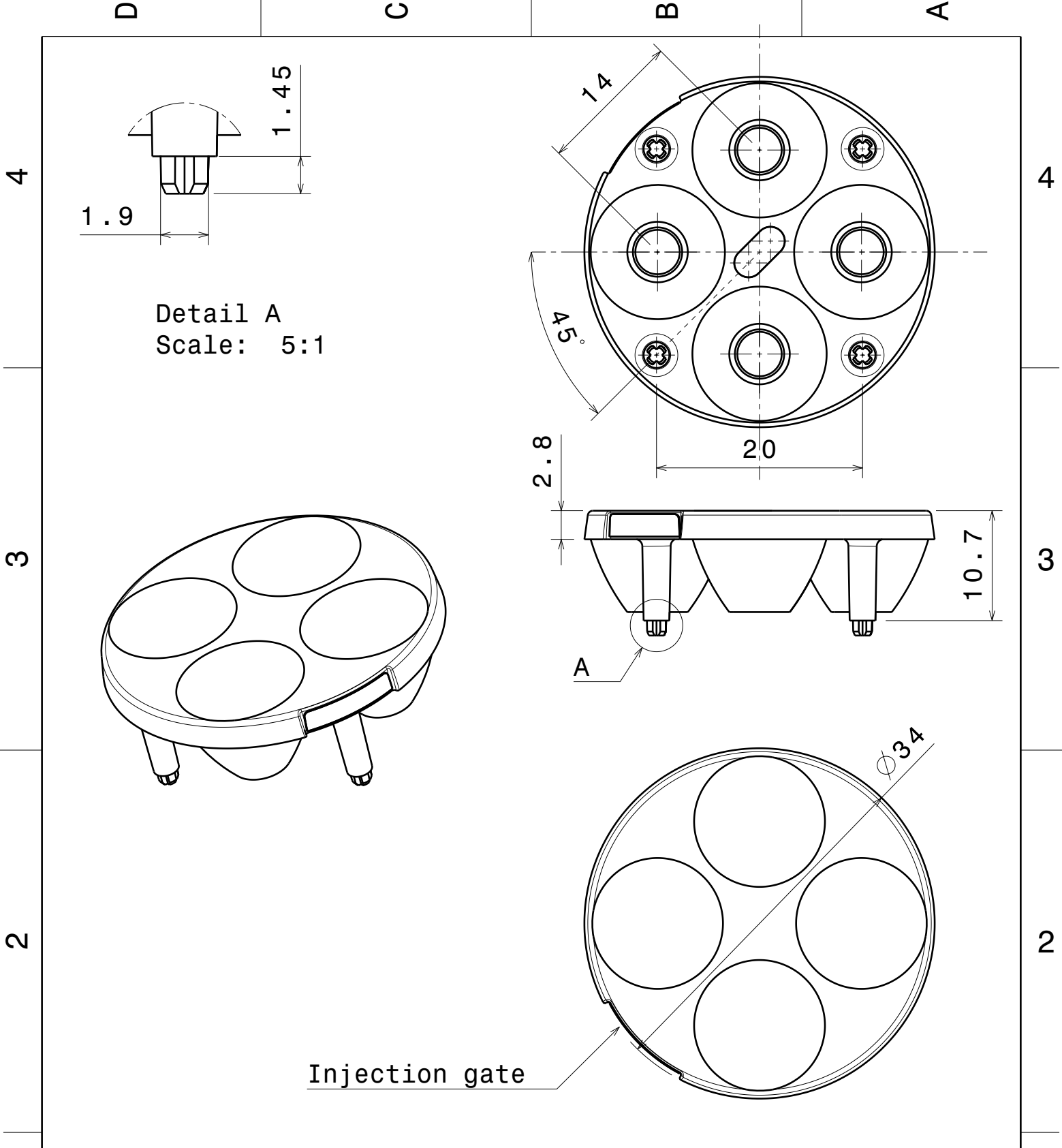
#### GENERAL INFORMATION

- Product series especially designed & optimized for LUXEON Rebel ES series of LEDs.
- Special care taken to make light distribution as uniform as possible.
- Lens material optical grade PMMA with high UV and temperature resistance. Allows use of high current and temperature conditions.

Please find more information about used material from below:

[http://ledil.fi/sites/default/files/Documents/Technical/Material/PMMA%20N%20UL94\\_Yellow%20Card.pdf](http://ledil.fi/sites/default/files/Documents/Technical/Material/PMMA%20N%20UL94_Yellow%20Card.pdf)

<http://ledil.fi/sites/default/files/Documents/Technical/Material/PMMA%20N%20PLEXIGLAS-Datasheet.pdf>



This drawing is our property.  
It can't be reproduced  
or communicated without  
our written agreement.



Ledil Oy  
Salorankatu 10  
FIN-24240 SALO  
Finland

DRAWING TITLE

Angie-series mechanical drawing

DRAWN BY pl	DATE 22.09.2011
CHECKED BY --	DATE --
DESIGNED BY pl	DATE 02.09.2011

SIZE A4	DRAWING NUMBER ----	REV -
SCALE 2:1	WEIGHT (g)	SHEET 1/1