

Ordering number CA12050
Description 1

Family	Strada-Forward	FWHM	Asym degrees
Type	Assembly	Efficiency	85 %
LED	3535 Ceramic (LEMWA32)	2W cd/lm	0.500
Color	Clear	Gerber File	Available
Diameter	15.4 x 19.6 mm		
Height	8.35 mm		
Style	Rectang	http://www.ledil.fi/Strada-F_Fully_Asymmetrical_Forward_Thro	
Optic Material	PMMA		
Holder Material	-		
Fastening	-		
Status	Ready		

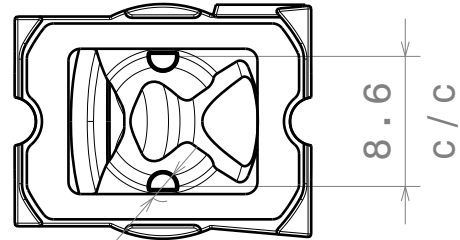
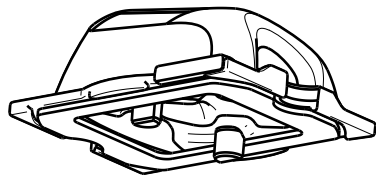
NOTE: The typical divergence will be changed by different color, chip size and chip position tolerance. The typical total divergence is the full angle measured where the luminous intensity is half of the peak value.

D

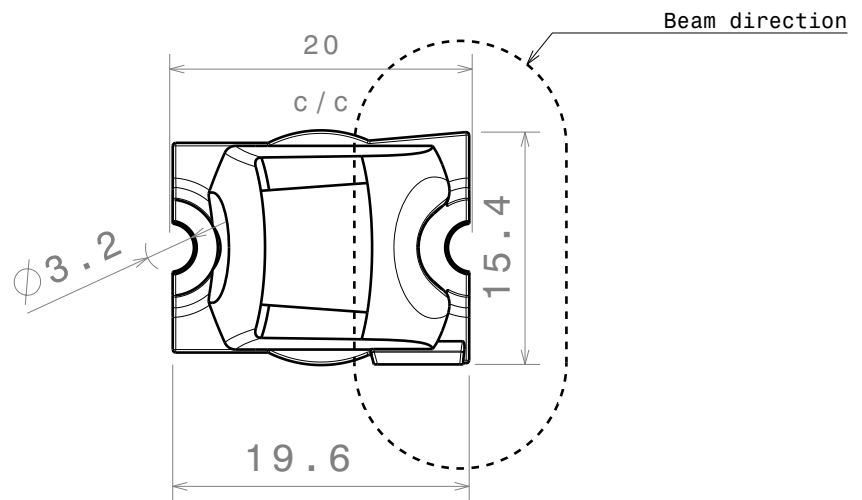
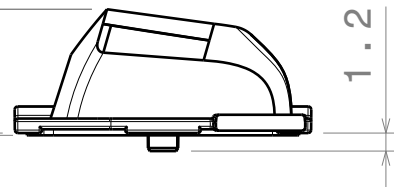
C

B

A



8.2
without tape
8.3



MATERIALS
Lens: PMMA
Tape(optional): PU Foam

This drawing is our property.
It can't be reproduced
or communicated without
our written agreement.



DRAWING TITLE

Datasheet Strada-FT-Tape series assy

DRAWN BY

ah

DATE

3.7.2012

CHECKED BY

sn

DATE

3.7.2012

SIZE

A4

DRAWING NUMBER

REV

2

DESIGNED BY

hh

DATE

15.3.2011

SCALE

2:1

WEIGHT (g)

SHEET

1/1

D

A

4

4

3

3

2

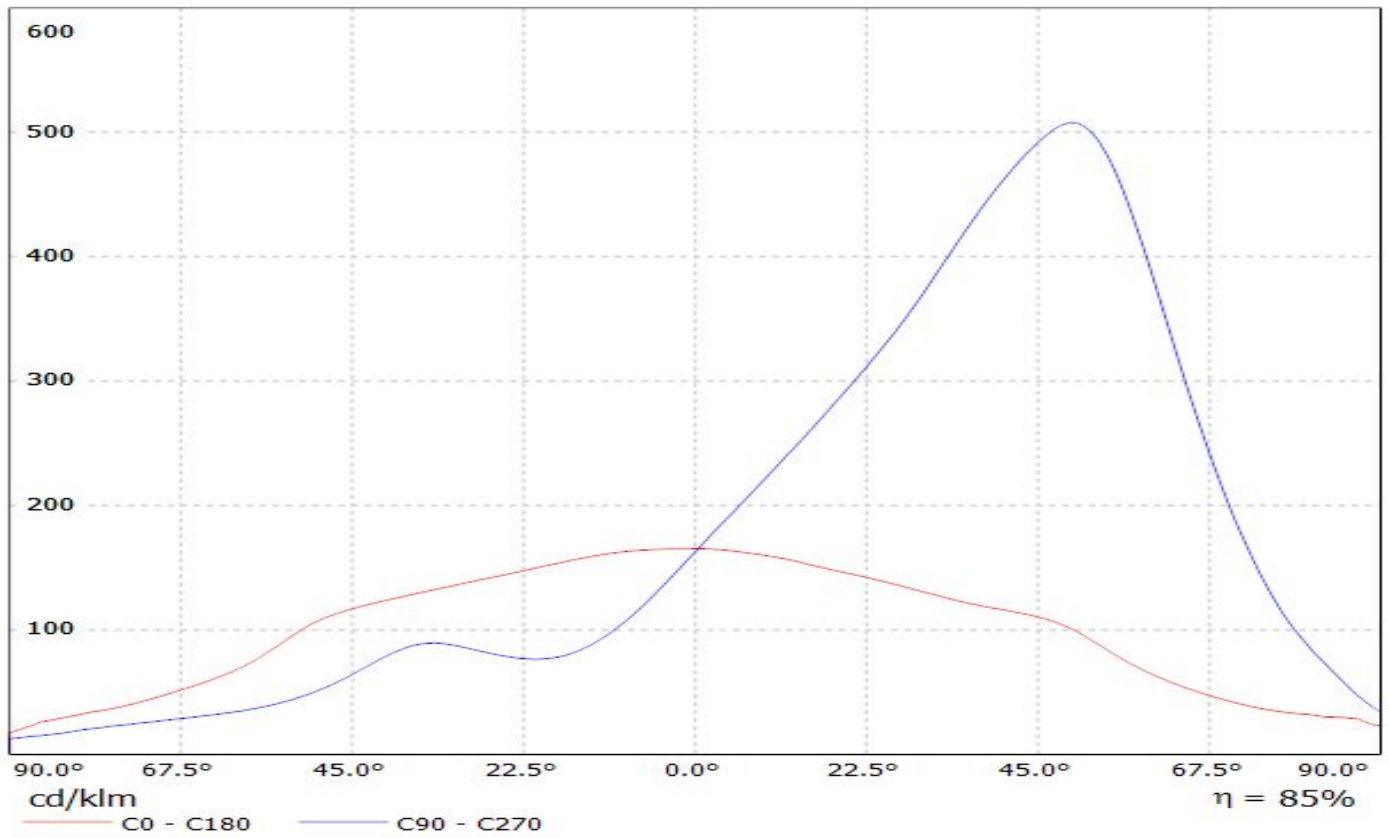
2

1

1

LEDiL Oy CA12050_STRADA-FT_(LG3535_2W) Eff.84.9% / LDC (Linear)

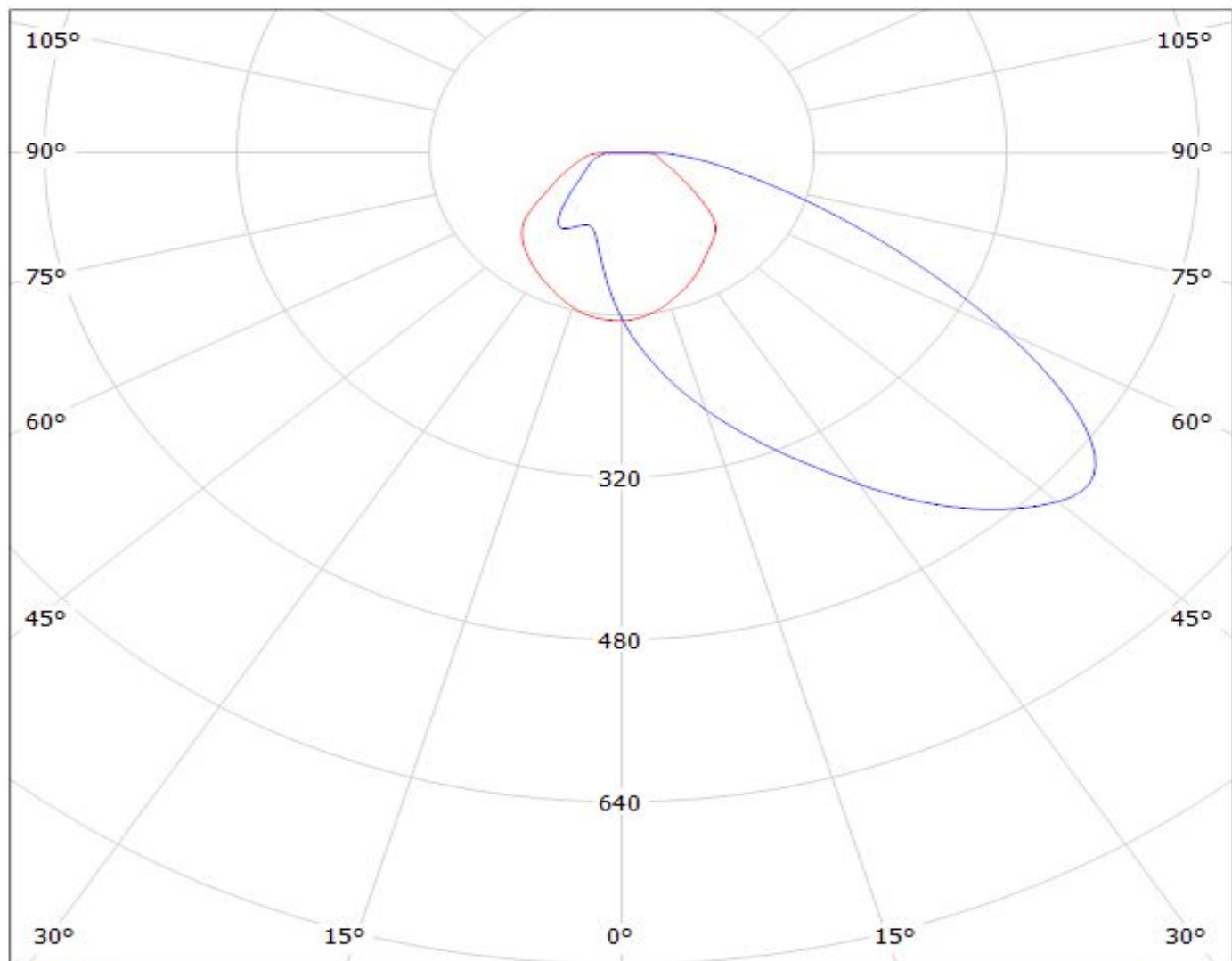
Luminaire: LEDiL Oy CA12050_STRADA-FT_(LG3535_2W) Eff.84.9%
Lamps: 1 x LG3535_2W (97.3629lm@250mA)



LEDiL Oy CA12050_STRADA-FT_(LG3535_2W) Eff.84.9% / LDC (Polar)

Luminaire: LEDiL Oy CA12050_STRADA-FT_(LG3535_2W) Eff.84.9%

Lamps: 1 x LG3535_2W (97.3629lm@250mA)



cd/klm

— C0 - C180 — C90 - C270

$\eta = 85\%$