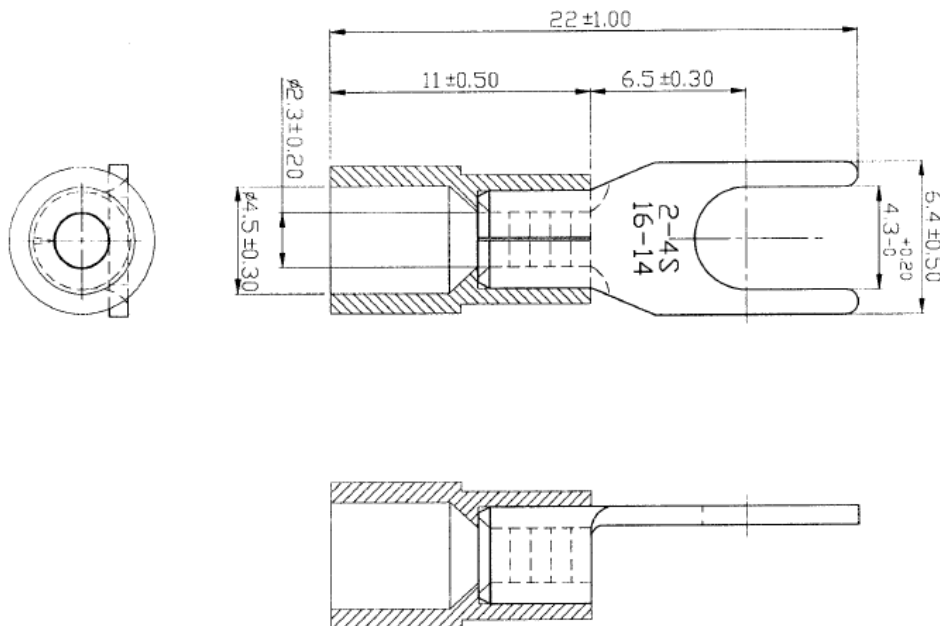


Datasheet

Insulated Crimp Spade Connector 16 → 14 AWG, M4, Blue Vinyl

RS Stock number [613-9435](#)



Specifications:

1. MAXIMUM ELECTRIC CURRENT :

A.W.G.	16	14	
AMP.	18	30	
2. MAXIMUM ELECTRICAL RATING : 75°C 600 VOLTS MAX.
3. INSULATION MATERIAL : VINYL
4. INSULATION COLOR : BLUE
5. TERMINAL MATERIAL : COPPER
6. WIRE RANGE : 16-14 A.W.G. (1.5-2.5 mm²)
7. TERMINAL SURFACE TREATMENT : TIN PLATED
8. TERMINAL THICKNESS : 0.80 mm