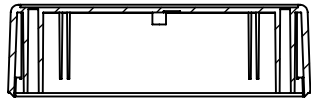


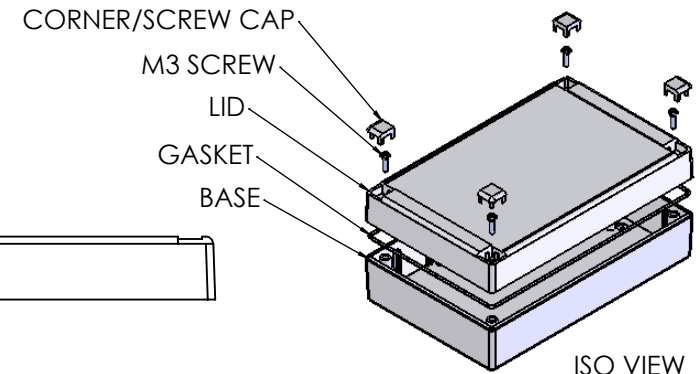
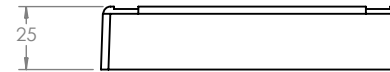
OVERALL ASSEMBLY DIMENSIONS:

EXTERNAL - 190 x 120 x 60

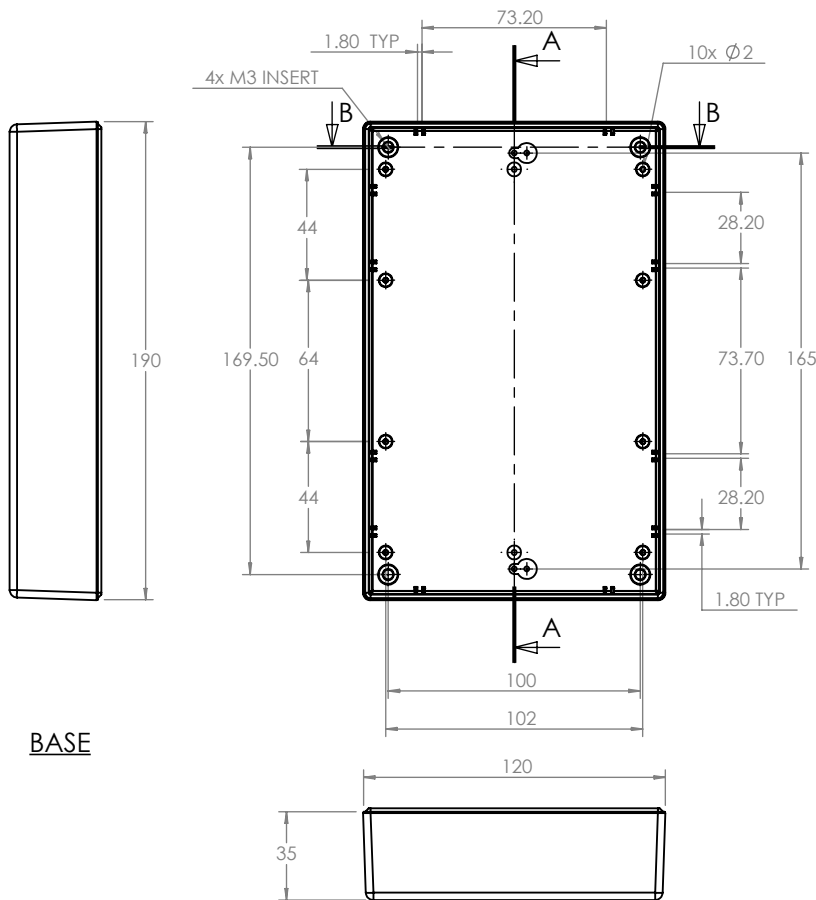
INTERNAL - 185 x 115 x 73.5



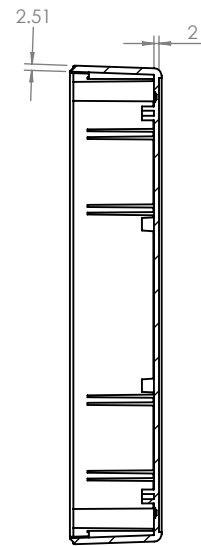
SECTION B-B



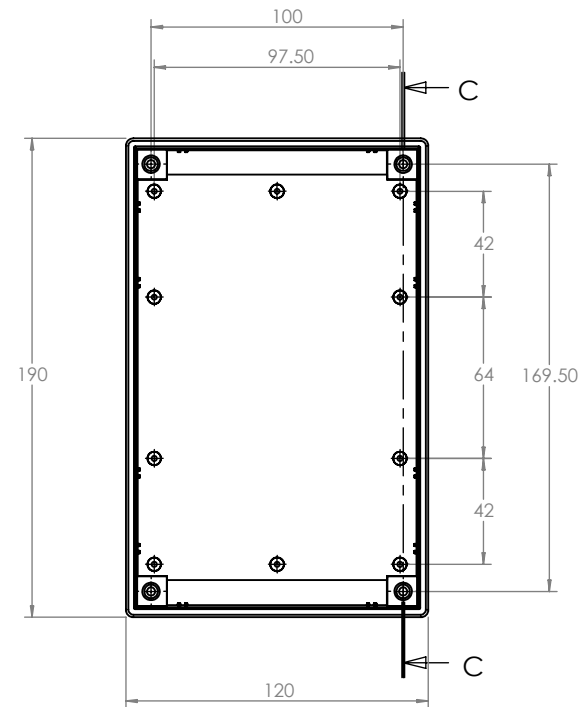
ISO VIEW
1:5



BASE



SECTION A-A



SECTION C-C

LID

CAMDENBOSS
ELECTRONICS & ENCLOSURES
JAMES CARTER RD, MILDENHALL, SUFFOLK. IP28 7DE
TEL: 01638 716101 FAX: 01638 716554
EMAIL: Sales@CamdenBoss.com
WEB: www.CamdenBoss.com

UNLESS OTHERWISE SPECIFIED:
DIMENSIONS ARE IN MILLIMETERS

GENERAL TOLERANCES +/- 0.2

FINISH:
LIGHT SPARK

MATERIAL:
UL - 94 HB ABS

PROJECTION:

DO NOT SCALE DRAWING

REVISION:

TITLE: ASSEMBLY DRG FOR RECESS DESIGNER CASE SIZE 7 GREY

DWG NO. CRDCGG007

A4

	NAME	SIGNED	DATE
DRAWN	IAN PAGANO	I.P.	24/09/13
CHKD	-	-	-

SCALE: 1:3

SHEET 1 OF 1