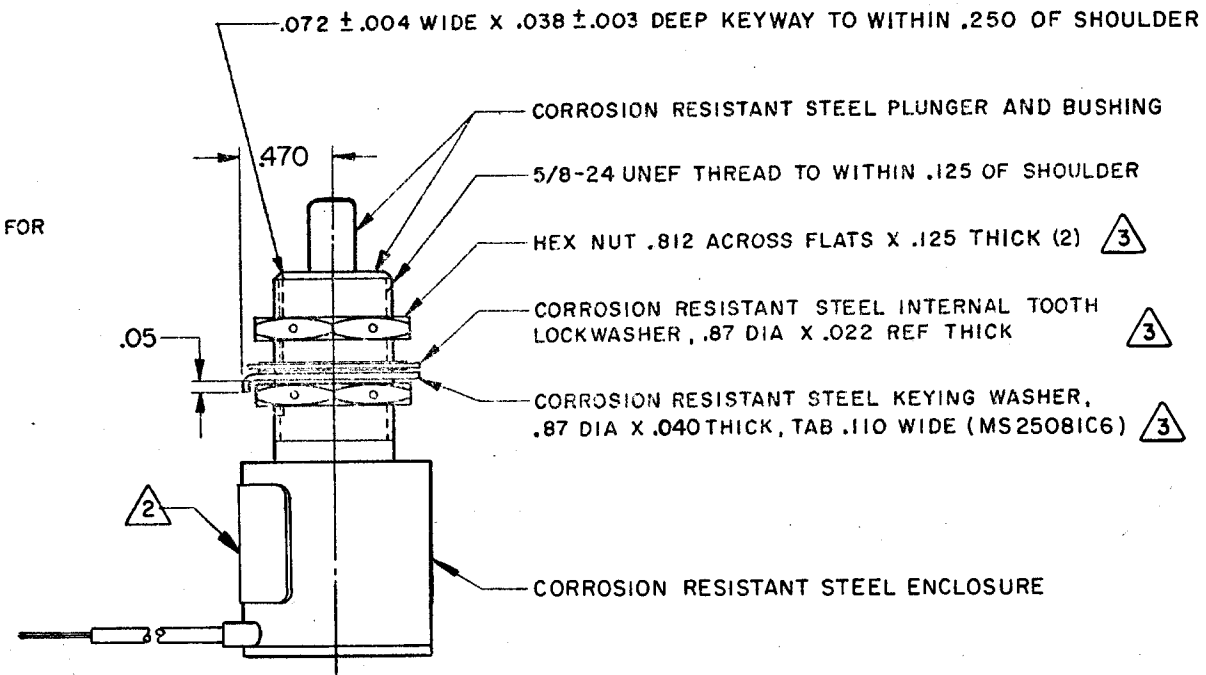
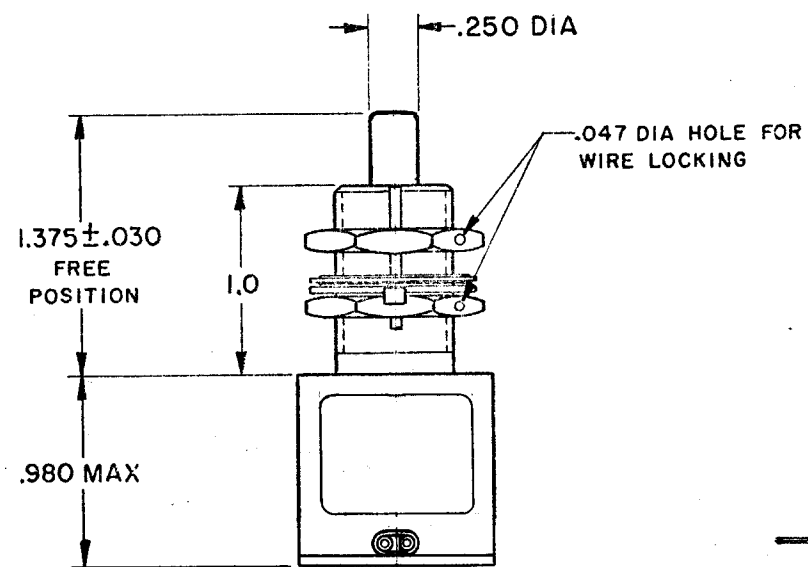
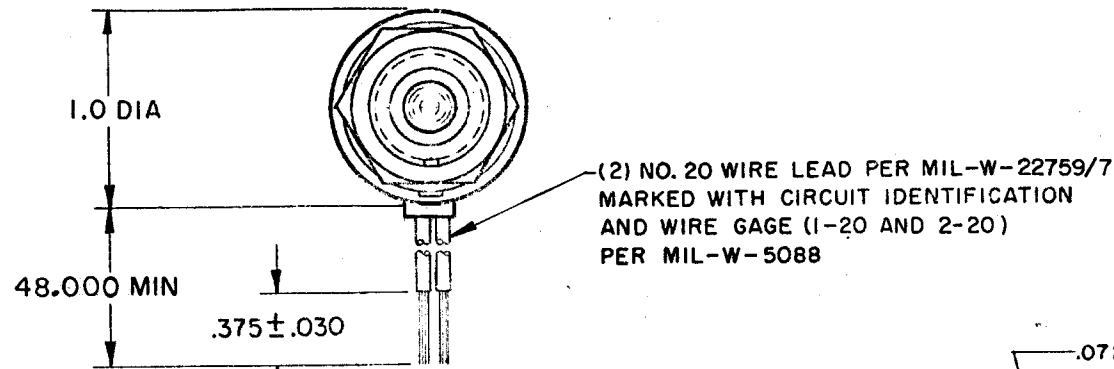
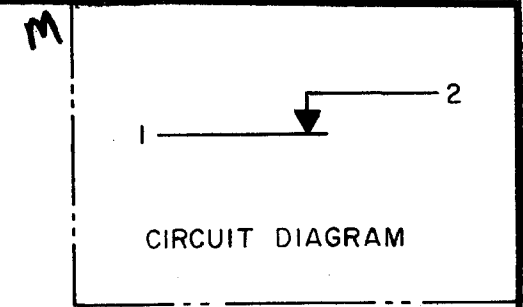


**MICRO SWITCH**  
 FREEPORT, ILLINOIS, U.S.A.  
 A DIVISION OF HONEYWELL  
 FED. MFG. CODE 91929

**SWITCH-ENCLOSED**

CATALOG LISTING  
**1CH6-4**



1CH6-4  
 M  
 DRAWING NUMBER  
 ISSUE 10/13  
 REVISIONS  
 A PR-3137 L CO 74101  
 R E R DAW  
 13 FEB 73 8 FEB 93  
 B CO32118 M CO-77504-C  
 D B W DLT  
 17 OCT 73 26 JUL 94  
 C CO32717  
 D J W  
 29 NOV 73  
 D CO33906 FVK  
 R E R  
 1 NOV 74  
 E CO-34722  
 J A L  
 7 JAN 75  
 F CO 44646  
 T M M  
 2 DEC 78  
 G CO44351  
 S L B  
 9 JAN 79  
 H CO 47573  
 J M J  
 23 JUL 80  
 J CO57370  
 T A D  
 15 MAY 85  
 K CO63259  
 C J P  
 14 APR 88  
 DRAWN  
 OMW 29 OCT 71  
 CHECK  
 DRAWN  
 FO-80378-003

REVISIONS

A	PR-3137	L CO 74101
	R E R	DAW
	13 FEB 73	8 FEB 93
B	CO32118	M CO-77504-C
	D B W	DLT
	17 OCT 73	26 JUL 94
C	CO32717	
	D J W	
	29 NOV 73	
D	CO33906	FVK
	R E R	
	1 NOV 74	
E	CO-34722	
	J A L	
	7 JAN 75	
F	CO 44646	
	T M M	
	2 DEC 78	
G	CO44351	
	S L B	
	9 JAN 79	
H	CO 47573	
	J M J	
	23 JUL 80	
J	CO57370	
	T A D	
	15 MAY 85	
K	CO63259	
	C J P	
	14 APR 88	

THIS DRAWING COVERS A PROPRIETARY ITEM AND IS THE PROPERTY OF MICRO SWITCH, A DIVISION OF MINNEAPOLIS-HONEYWELL REGULATOR CO. THIS DRAWING IS NOT TO BE COPIED OR USED WITHOUT THE APPROVAL OF MICRO SWITCH.

CHARACTERISTICS	ELECTRICAL DATA		SCALE FULL
OPERATING FORCE ----- 6-12 LB	CONTACT ARRANGEMENT		DO NOT SCALE PRINT
FULL OVERTRAVEL FORCE ----- 30 LB MAX	S P N C		UNLESS OTHERWISE NOTED
RELEASE FORCE ----- 4 LB MIN	28 VDC		DIMENSIONS ARE IN INCHES
PRETRAVEL ----- .040 MAX	LOAD	SEA LEVEL	<b>TOLERANCES ARE:</b>
DIFFERENTIAL TRAVEL ----- .020 MAX	RES	50,000 FT.	ONE PLACE (.0) ±.030
OVERTRAVEL ----- .250 MIN	IND		TWO PLACE (.00) ±.015
	MOTOR		THREE PLACE (.000) ±.005
			ANGLES ±
			WEIGHT 4.0 OZ MAX

- NOTES
- 1 - SWITCH SEALED PER MIL-S-8805 SYMBOL 3
  - 2 - MICRO IDENTIFICATION, CIRCUIT DIAGRAM, CATALOG LISTING AND DATE CODE ARE SHOWN ON NAMEPLATE
  - 3 - HARDWARE MAY BE PACKAGED UNASSEMBLED PER MIL-S-8805