

Products

B4D series | Illuminated double-pole switch 16A quick connection 6.3 black body black-red black-green rockers red led effect



sample image

PRODUCT CODE: B4D148N11100098G00

Wiring diagrams



Terminal type



accessories

Body colour



Actuator colour



Second actuator colour



Marking



Rating

16 (6) A / 250 VAC

10 (4) A / 250 VAC - 5E4

T120/55 °C

20 A / 125 VAC

3/4 HP - 125 VAC

16 A / 250 VAC

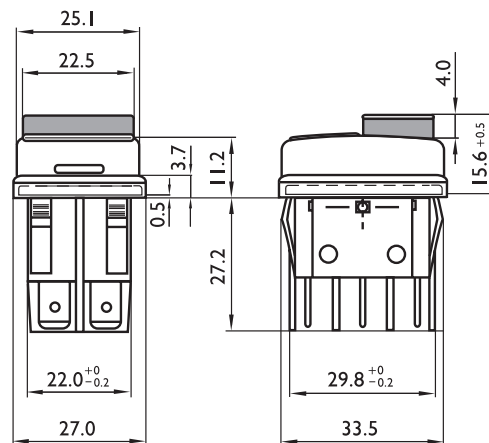
3/4 HP - 250VAC

T105 °C

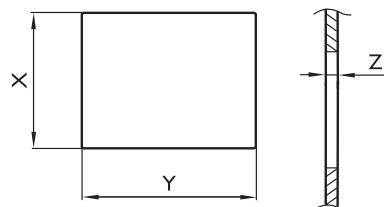
Approvals



Dimensions (mm)



Cut out (mm)



Z	Y	X
0.7-1.25	30.2 ^{-0.1 0}	22.0 ^{+0.3 -0}
1.25-2.0	30.6 ^{-0.1 0}	22.0 ^{+0.3 -0}
2.0-3.0	30.8 ^{-0.1 0}	22.0 ^{+0.3 -0}

Termination

