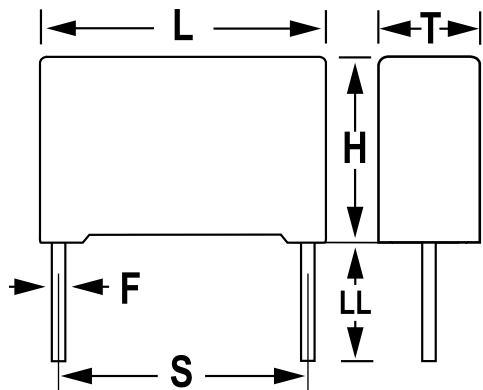


KEMET Part Number: PHE840MD6220MD13R06L2
(F840DD224M275C)

PHE840M/F840, Film, Metallized Polypropylene, Safety, 0.22 uF, 20%, 275 VAC (X2), 760 VDC, 105°C, Lead Spacing = 22.5mm



| General Information | |
|---------------------|---|
| Supplier: | KEMET |
| Series: | PHE840M/F840 |
| Dielectric: | Metallized Polypropylene |
| Style: | Radial |
| Features: | EMI Safety |
| RoHS: | Yes |
| Lead: | Wire Leads |
| Qualifications: | ENEC, UL, cUL |
| Notes: | Not For New Design, Please Check Possible Alternative Parts (AltPart) |

| Dimensions | |
|------------|-----------------|
| L | 26mm MAX |
| H | 14.5mm MAX |
| T | 6.5mm MAX |
| S | 22.5mm +/-0.4mm |
| LL | 6mm NOM |
| F | 0.8mm NOM |

| Specifications | |
|------------------------|-------------------------|
| Capacitance: | 0.22 uF |
| Capacitance Tolerance: | 20% |
| Voltage AC: | 275 VAC (X2) |
| Voltage DC: | 760 VDC |
| Temperature Range: | -55/+105C |
| Rated Temperature: | 105°C |
| Dissipation Factor: | 0.10% 1kHz, 0.40% 10kHz |
| Insulation Resistance: | 30 GOhms |
| Max dV/dt: | 100 V/us |
| Safety Class: | X2 |

| Packaging Specifications | |
|--------------------------|------------|
| Packaging: | Bulk, Tray |
| Packaging Quantity: | 234 |

Statements of suitability for certain applications are based on our knowledge of typical operating conditions for such applications, but are not intended to constitute - and we specifically disclaim - any warranty concerning suitability for a specific customer application or use. This Information is intended for use only by customers who have the requisite experience and capability to determine the correct products for their application. Any technical advice inferred from this Information or otherwise provided by us with reference to the use of our products is given gratis, and we assume no obligation or liability for the advice given or results obtained.