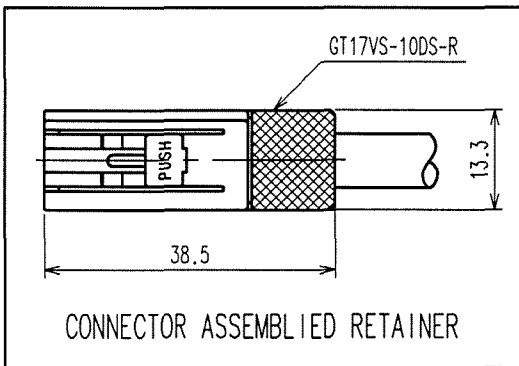
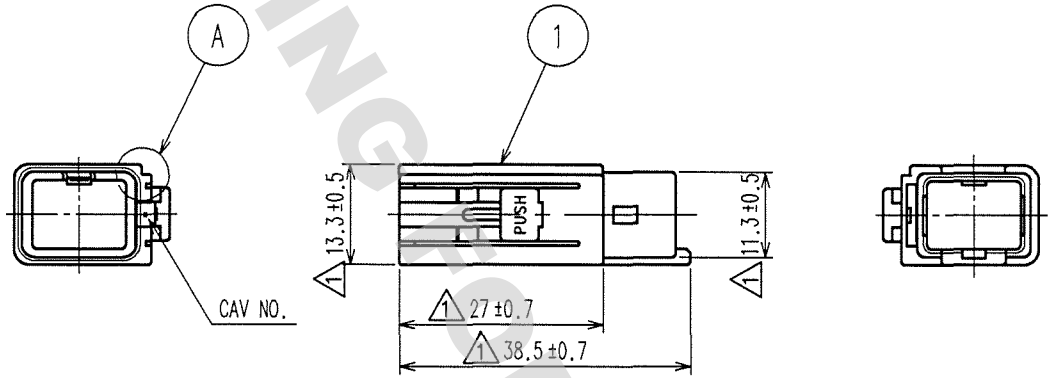
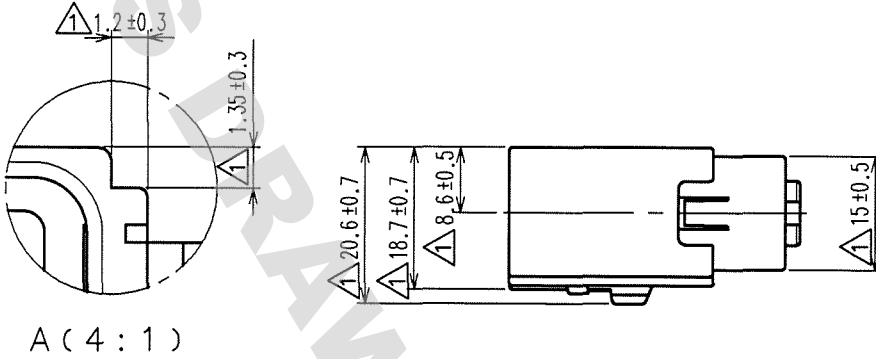


DRAWING FOR REFERENCE: This is subject to change without notice
08/11/2012

1	2	3	4						
COUNT	DESCRIPTION OF REVISIONS	BY	CHKD	DATE	COUNT	DESCRIPTION OF REVISIONS	BY	CHKD	DATE
1	DIS-T-000626	T.K	K.N	07.12.29					

ELV. RoHS COMPLIANT



NOTE1. THIS CONNECTOR SHALL BE USED THAT RETAINER (CL767-0063-6) WAS ASSEMBLED.
2. APPLICABLE CABLE DIA : ϕ 7.5 TO ϕ 8.0

1	PBT	LIGHT GRAY
NO.	MATERIAL	FINISH, REMARKS

CODE NO. (OLD)	DRAWN	DESIGNED	CHECKED	APPROVED	RELEASED
	T.SHISHIKURA	T.SHISHIKURA	N.NAKATA	K.SATO	
	' 01.3.13	' 01.3.13	' 01.3.16	' 01.3.16	

TO
AMC

 SACLE 1 : 1 UNITS mm	DRAWING NO. EDC4-165729	PART NO. GT17VS-10DS-HU
	 HRS HIROSE ELECTRIC CO.,LTD.	CODE NO. CL767-0061-0