

- o Flat Cable Connectors SEK
- o *har-mik®*
- o D-Sub
- o InduCom

Applications



Product details

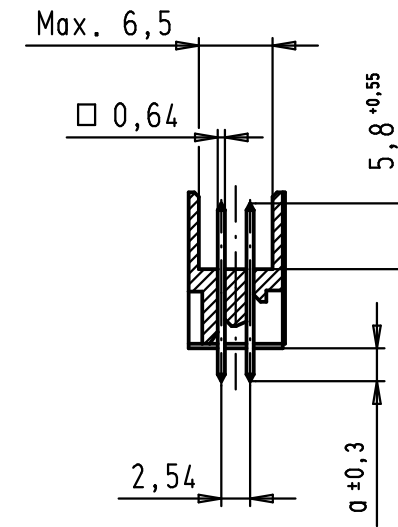
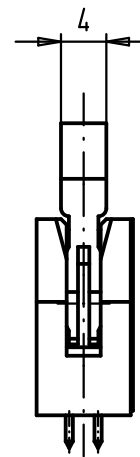
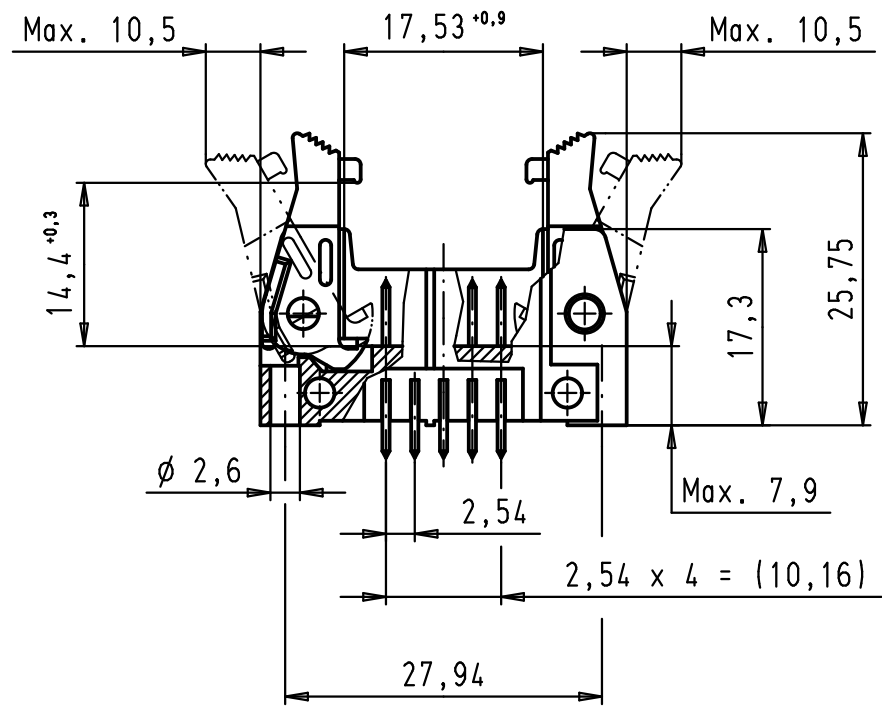
09 18 510 5904 IDC male connector

Connector size	10 contacts
Termination	Straight solder pin
Profile	Standard connector
Moulding	Standard Material
Termination length	2.9 mm
Lever	Long levers
P.C.B. retention clip	Without retention clip
Performance level	AU-0.76•m [30•Inch]
RoHS compliant	Yes

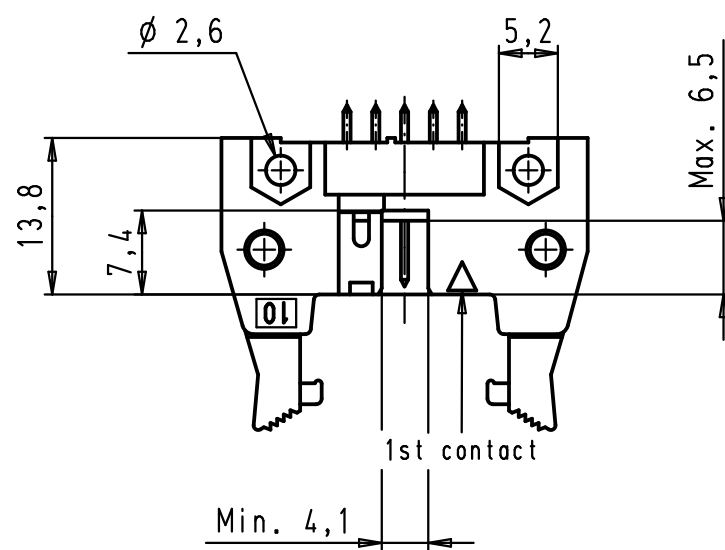
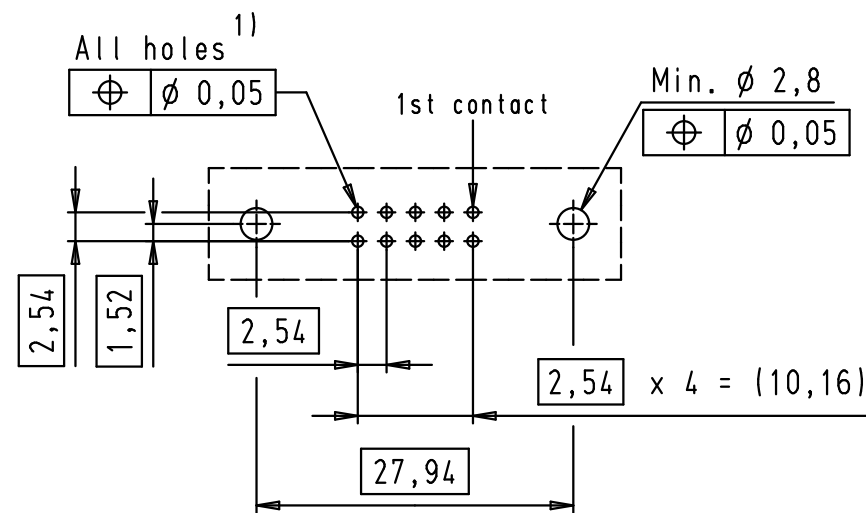
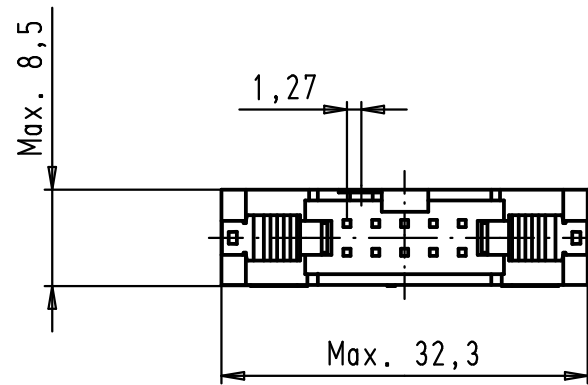
Available Downloads

Title	Format	
Data sheet	PDF	download
CAD data 2D	DXF	download
CAD data 3D	IGES	download

Inquiry



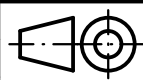

PCB layout, component side



1) Solder pins for PCB connections
 $\phi 1 \pm 0,1$ according to IEC 60 326-3

Alle Rechte vorbehalten/ All rights reserved

09 18 510 7902	3	4,5
09 18 510 6902	2	4,5
09 18 510 5902	0,76 $\mu\text{m Au}$	4,5
09 18 510 7904	3	2,9
09 18 510 6904	2	2,9
09 18 510 5904	0,76 $\mu\text{m Au}$	2,9
Part number	Performance level	a

				Det.	Name	 All Dim. in mm Orig. Size DIN A 3	SEK 18 Male Connector Standard 10 poles Straight solder pins Long locking levers	Maßstab/ Scale
34900	28/01/08	LP	Insp.	01/12/99	JB			1,5:1
33451	30/03/06	JMDR	Stand.					
27931	15/06/00	JB						
26554	01/12/99	JB	HARTING EURL F-95972 Paris				TB 09 18 510 X90X	Blatt/ Page
Mod.	Det.	Name					Sub.	1 2