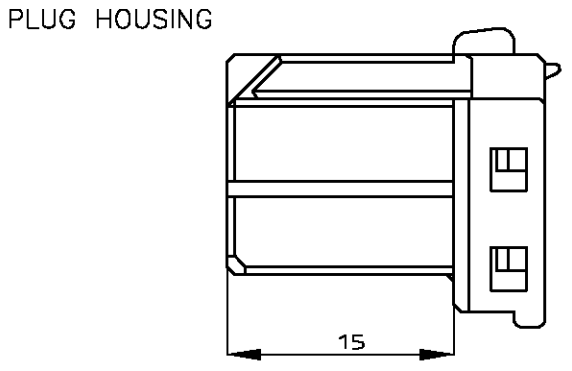
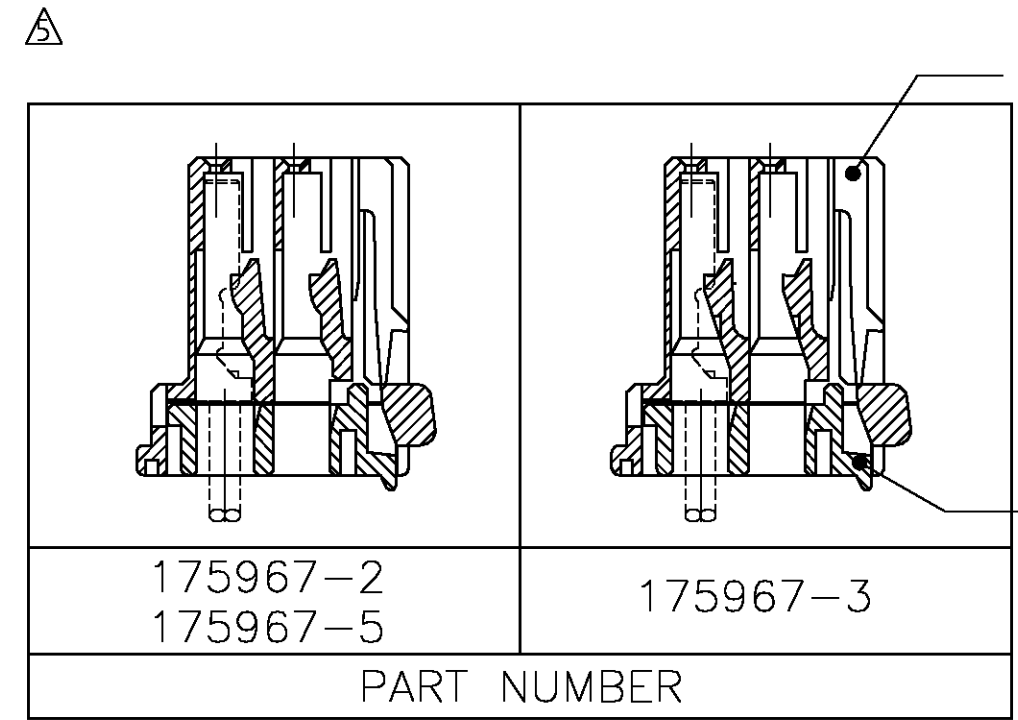
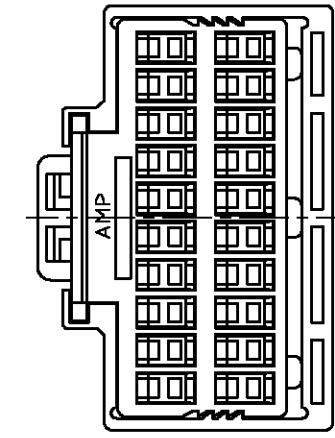
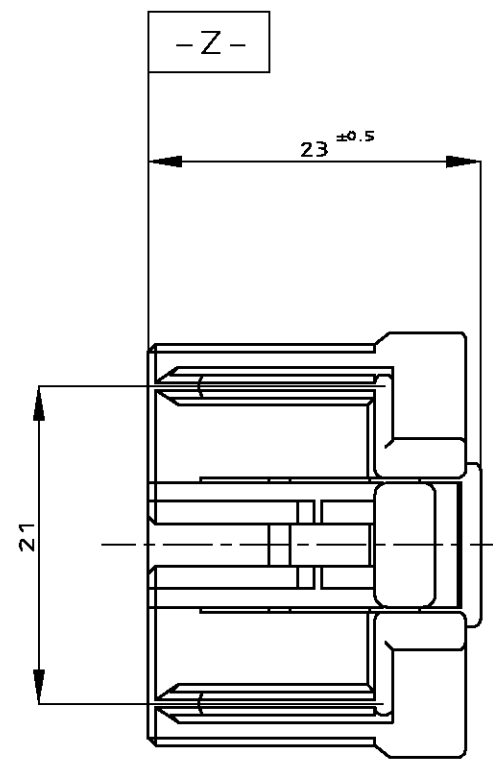
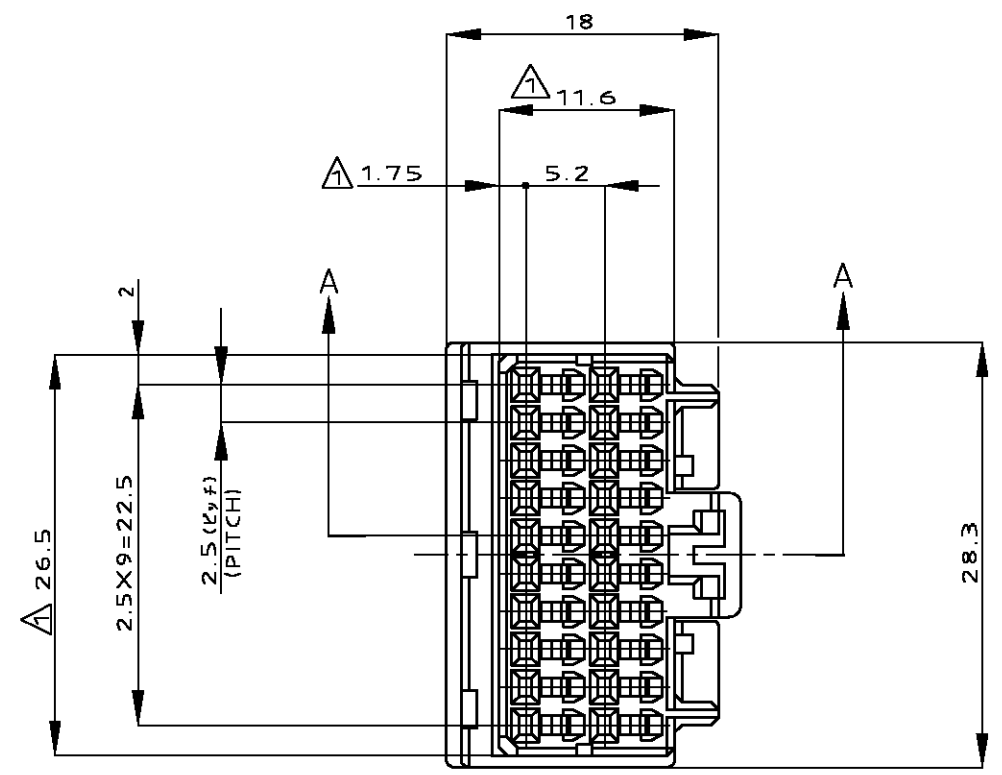


THIS DRAWING IS UNPUBLISHED. RELEASED FOR PUBLICATION
 © COPYRIGHT BY TYCO ELECTRONICS CORPORATION. ALL RIGHTS RESERVED.

LOC	DIST	REVISIONS					
		P	LTR	DESCRIPTION	DATE	DWN	APVD
J	-	B	ADDED	-3 FJA0-0363-04	31AUG04	SS	YF



- ① MUST BE KEPT BETWEEN [-Z-] AND 2mm
- ② THE MATING CAP HSG. PART NUMBER; 175975,174912,175977
- ③ APPLIED CONTACT P/N; 173681
- ④ APPLICABLE PRODUCT SPEC NO.; 108-5281
- ⑤ THIS PLUG HOUSING HAVE TWO KINDS OF LANCE TYPE

- ① [-Z-] 面より2mmの範囲で測定。
- ② 嵌合相手ハウジング型番：175975,174912,175977
- ③ 内装するリセプタクルコンタクト型番：173681
- ④ 適用製品規格番号：108-5281
- ⑤ 本プラグハウジングは2タイプのランス形状がある

BLUE	175967-5
BLACK	175967-3
BLACK	175967-2
COLOR	PART NUMBER

A-A

PART NUMBER

THIS DRAWING IS A CONTROLLED DOCUMENT.		DWN K. SUZUKI 24OCT89	Tyco Electronics AMP K.K. Kawasaki, Japan			
DIMENSIONS: 単位：mm		CHK Y. MATSUSAKA 19DEC89				
TOLERANCES UNLESS OTHERWISE SPECIFIED: 一般公差		APVD M. NOGUCHI 26DEC89	NAME 040 SERIES MULTILOCK I/O CONNECTOR MK-II 20POSITION PLUG HOUSING ASSEMBLY			
0 < x ≤ 10 : ±0.2 10 < x ≤ 30 : ±0.25 30 < x ≤ 100 : ±0.3 ANGLE ; ±3°		PRODUCT SPEC 108-5281	SIZE A3	CAGE CODE 00779	DRAWING NO C-175967	RESTRICTED TO
MATERIAL PBT		FINISH COLOR HOUSING; SEE TABLE PLATE; NATURAL	WEIGHT 4.9 g	SCALE 2:1	SHEET 1 OF 1	REV B
CUSTOMER DRAWING						