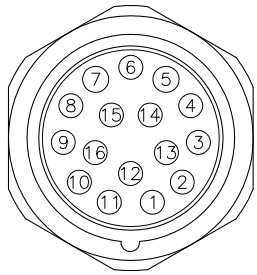
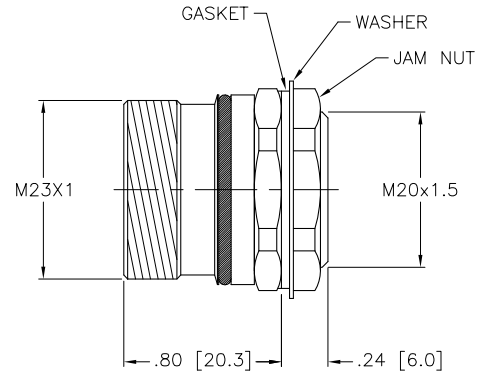
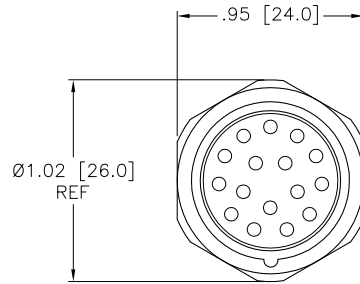


FEMALE END VIEW



SPECIFICATIONS

CONTACT CARRIER MATERIAL	NYLON or PBT
CONTACT MATERIAL/PLATING	GOLD-PLATED BRASS
CONNECTOR HOUSING MATERIAL/PLATING	NICKEL-PLATED BRASS
GASKET	RUBBER (NBR or FPM)
RATED CURRENT [A]	8.0 A
RATED VOLTAGE [V]	150 V
MAXIMUM CONDUCTOR SIZE (AWG)	18 AWG
TERMINATION METHOD	SOLDER LUG
PROTECTION CLASS	MEETS NEMA 1,3,4,6 AND IEC IP67
TEMPERATURE	-40°C TO +125°C



RELATED DOCUMENTS 1. 2. 3. 4.	3RD ANGLE PROJECTION	THIS DRAWING IS PROPERTY OF TURCK INC. USE OF THIS DOCUMENT WITHOUT WRITTEN PERMISSION IS PROHIBITED.	<b>TURCK INC</b> High Technology Sensors and Automation Controls 3000 CAMPUS DRIVE MINNEAPOLIS, MN 55441 1-800-544-7769 (763) 553-7300 (763) 553-0708 fax turck.com	
			DRFT CBM	DATE 03/10/99
MATERIAL	ALL DIMENSIONS DISPLAYED ON THIS DRAWING ARE FOR REFERENCE ONLY	DSGN	SCALE 1=1.0	CKF 16-0
FINISH		UNIT OF MEASUREMENT <b>INCH [ MILLIMETER ]</b>		
CONTACT TURCK FOR MORE INFORMATION		DO NOT SCALE THIS DRAWING		REV B
B	SEE ECO T2801	IK	3/29/99	T2801
REV	DESCRIPTION	BY	DATE	ECO NO.
FILE: U4640			SHEET 1 OF 1	