

OBS4000-18GM60-E4

Reflection light beam switch with polarisation filter

OBS4000-18GM60-E4

with 2 m fixed cable

CE



- ◆ Dual colour indication LED
- ◆ Detection range up to 4 m
- ◆ Glare protected with polarisation filter
- ◆ Light/dark ON, programmable
- ◆ Protection degree IP67
- ◆ Strong metallic housing in cylindrical shape M18 x 1
- ◆ Sensitivity adjuster for optimal adaptation to the application

Date of edition 04/07/03

General specifications

Effective detection range	0 ... 4 m
Reflector distance	0 ... 4000 mm
Light source	LED
Approvals	CE
Reference target	H50 reflector
Light type	Red light 660 nm
Diameter of the light spot	approx. 200 mm at detection range 4 m
Ambient light limit	10000 Lux

Indicators/operating means

Function display	dual colour-LED, yellow/green yellow: switching state grün: power on flashing: stability control
Operating elements	sensitivity adjuster

Electrical specifications

Operating voltage	10 ... 30 V DC
Ripple	10 %
No-load supply current I_0	≤ 25 mA
Time delay before availability t_v	≤ 25 ms

Output

Switching type	Light/dark on selectable electrically switchable
Signal output	1 switch output npn , short-circuit/overload protected
Switching voltage	max. 30 V DC
Switching current	max. 100 mA
Voltage drop U_d	$\leq 2,5$ V
Switching frequency f	≤ 500 Hz
Response time	≤ 1 ms

Standard conformity

Standards	EN 60947-5-2
-----------	--------------

Ambient conditions

Ambient temperature	-25 ... 55 °C (248 ... 328 K)
Storage temperature	-40 ... 70 °C (233 ... 343 K)

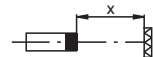
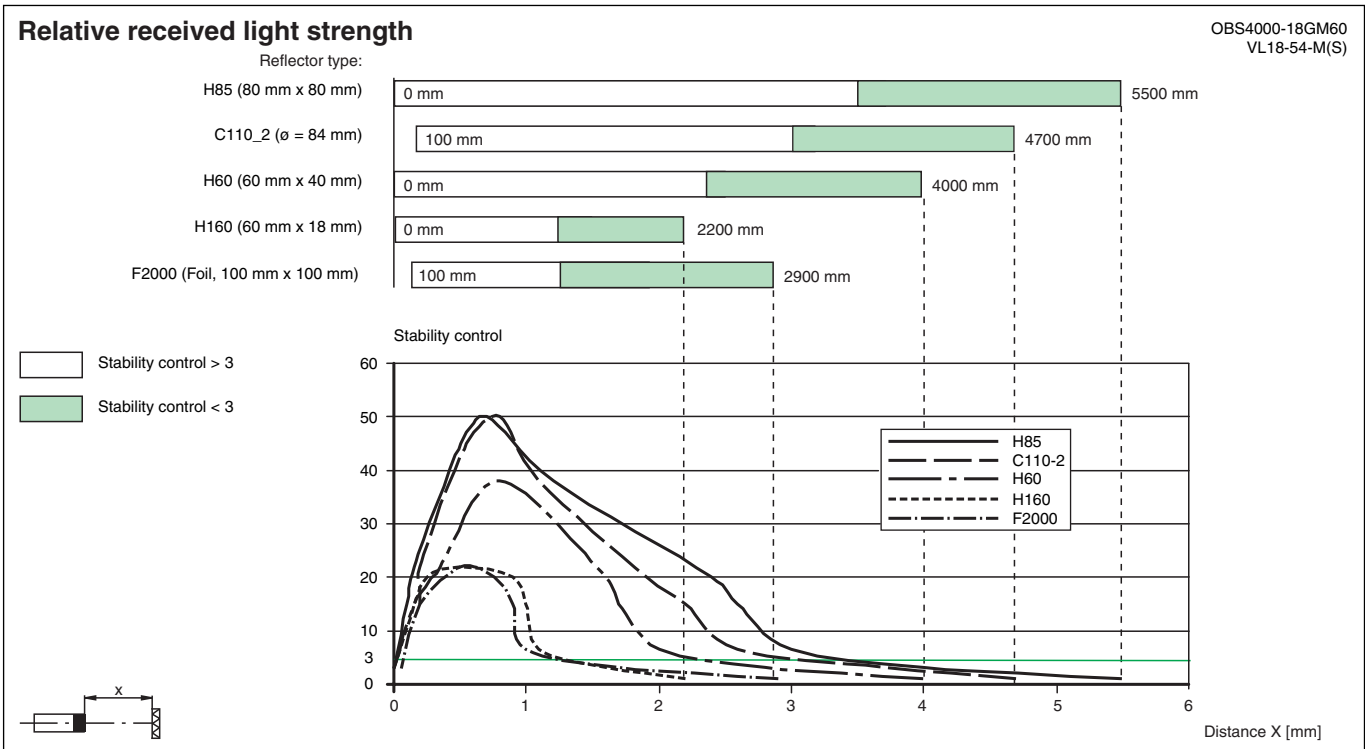
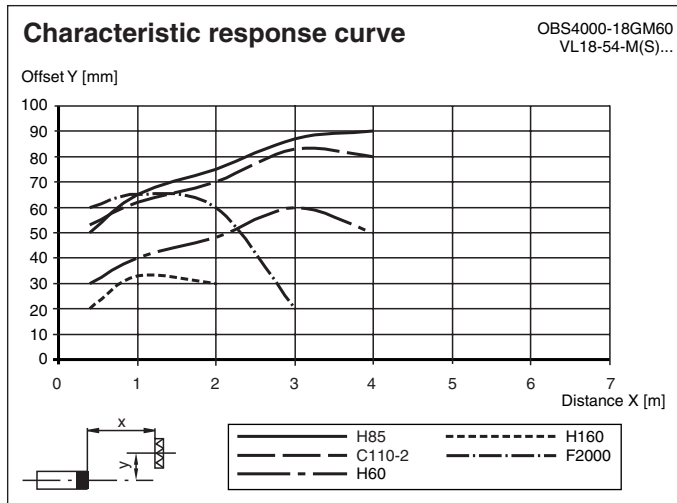
Mechanical specifications

Protection degree	IP67 according to EN 60529
Connection	2 m cable, 3 x 0,34 mm ² , PVC
Material	
Housing	brass, nickel-plated
Optical face	PC
Mass	110 g

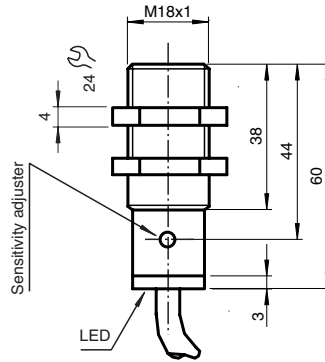


OBS4000-18GM60-E4

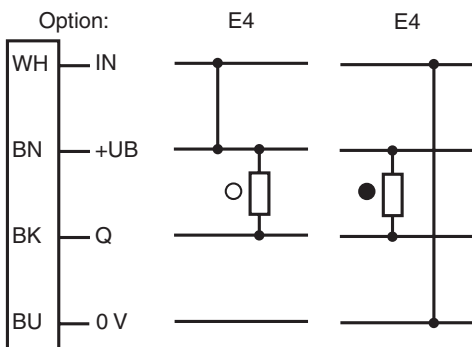
Curves/Diagrams



Dimensions



Electrical connection



Caution:

Series 18GM60 devices are not wiring compatible to series 18GM70 devices!

○ = light on, ● = dark on