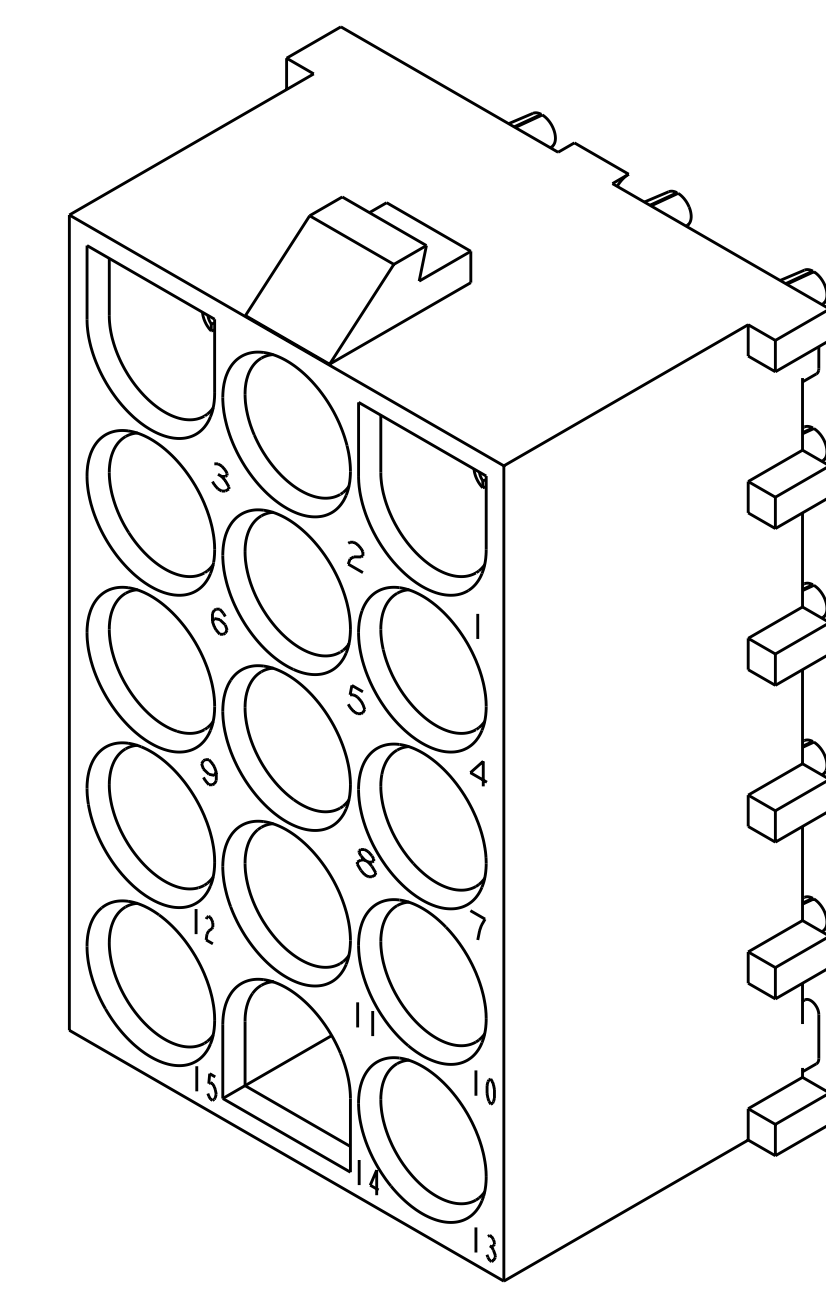
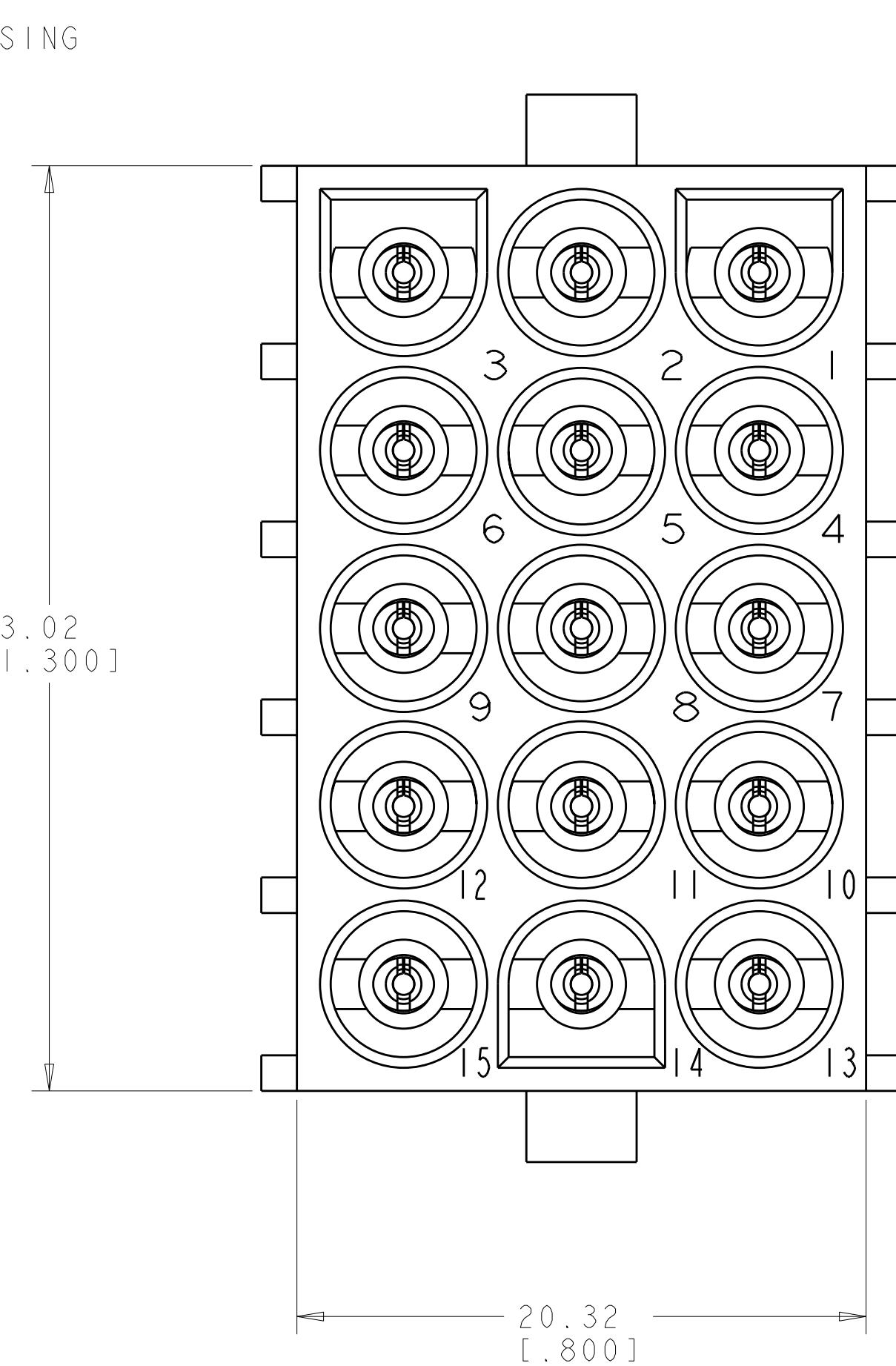
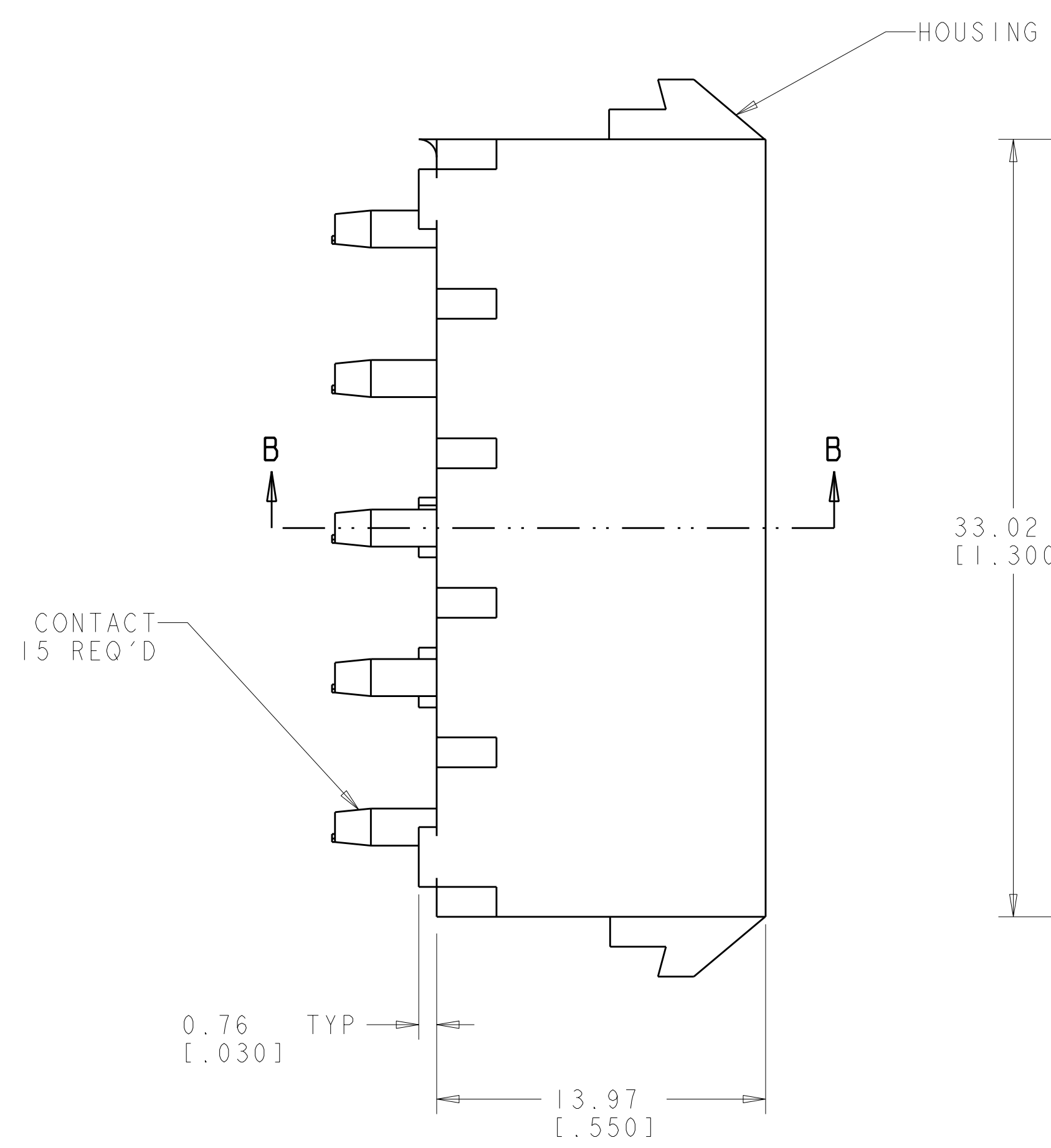
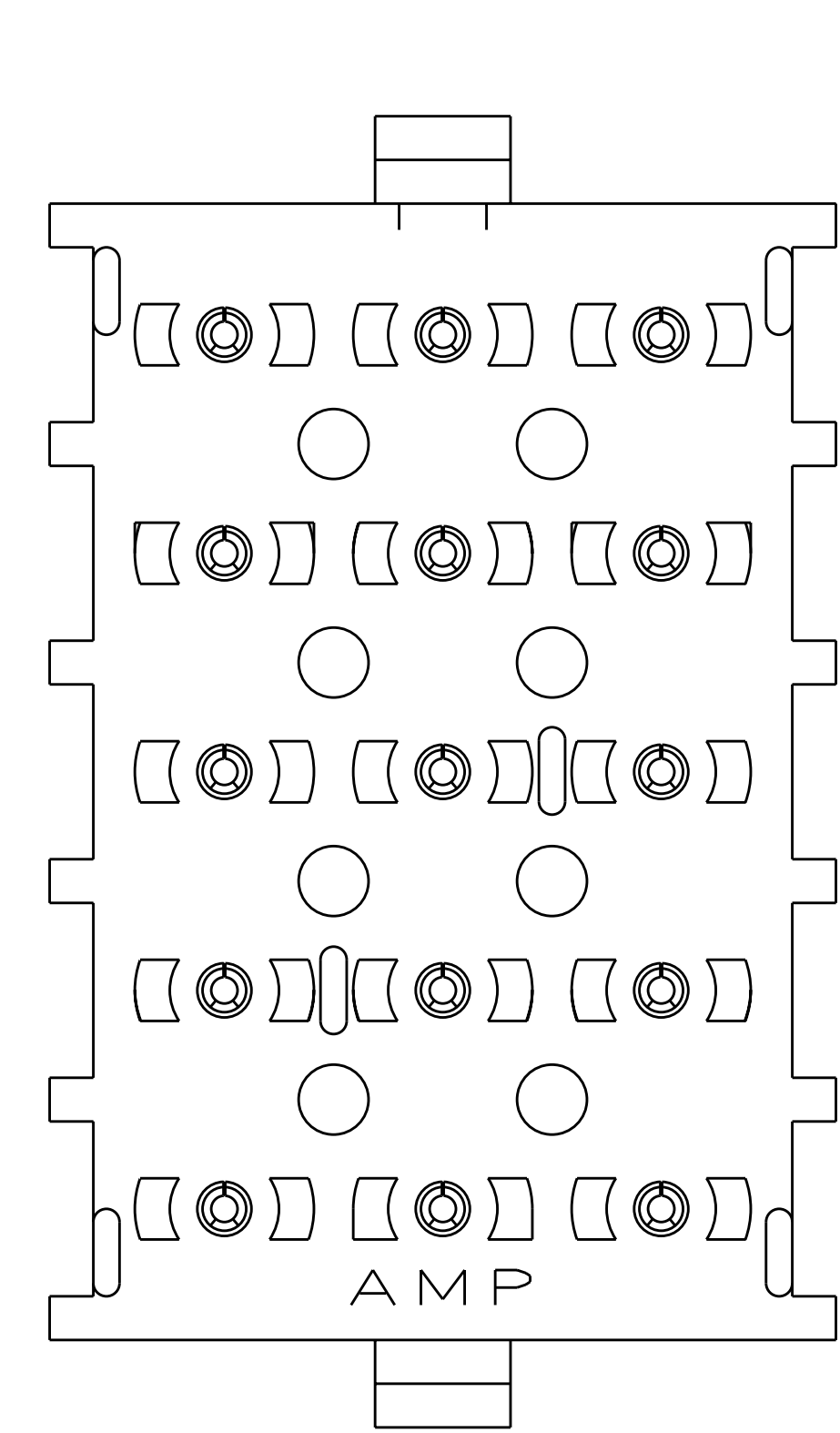
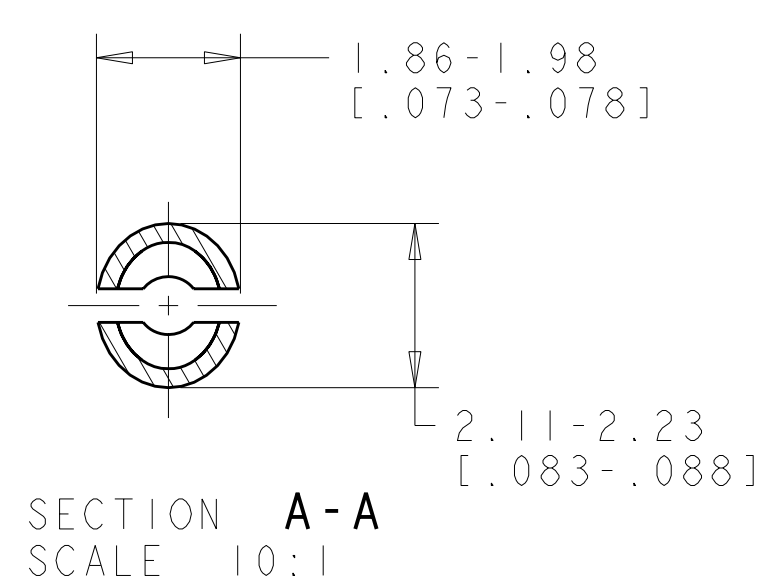
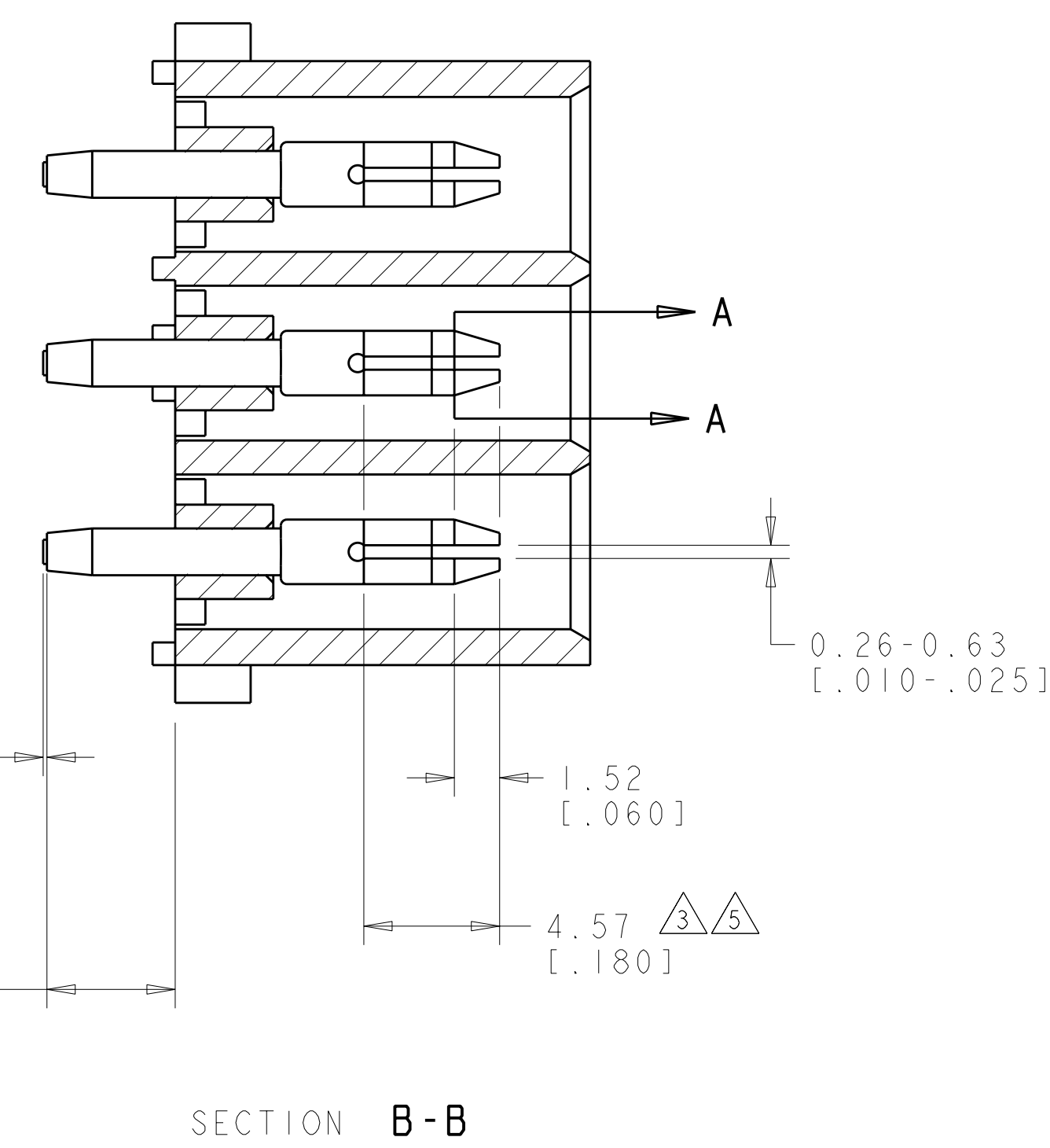
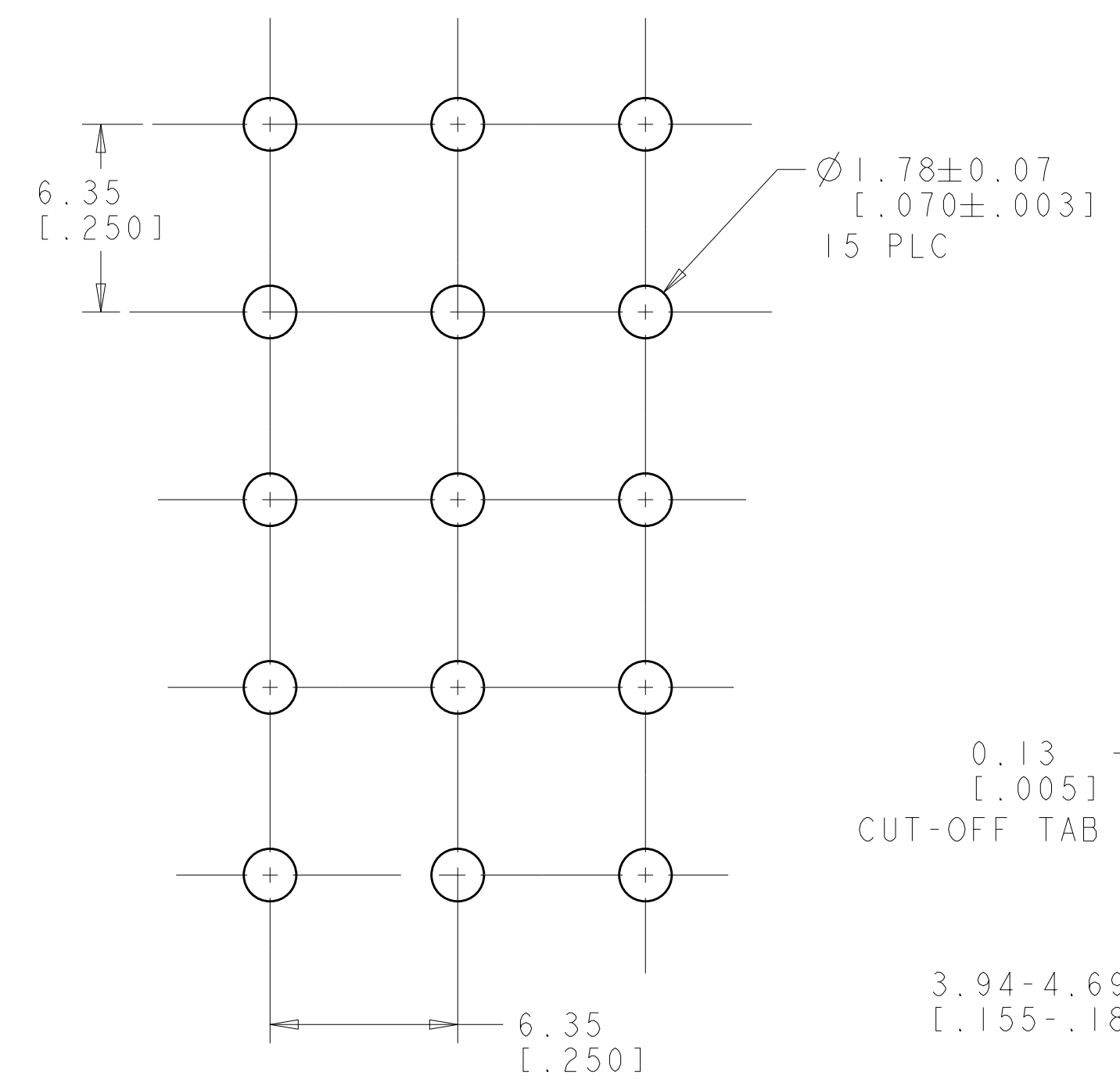


LOC	DIST	REV	DATE	BY	CHK	APPD
CM	00	Y1	17MAR2011	RK	HMR	

- MATES WITH HOUSING 480710.
- PARTS COMPLY TO AMP SOLDERABILITY SPECIFICATION 109-11-3.
- CONTACT IS PLATED OVERALL WITH 0.00127 [.000050] NICKEL, THEN 0.00076 [.000030] GOLD OVER CONTACT LENGTH INDICATED AND TIN LEAD ON SOLDER TAIL END.
- CIRCUIT IDENTIFICATION CHARACTERS ARE ADJACENT TO THE INDICATED CAVITIES, BUT LOCATION AND ORIENTATION MAY DIFFER FROM PRINT.
- CONTACT IS PLATED OVERALL WITH 0.00127 [.000050] NICKEL, THEN 0.00076 [.000030] GOLD OVER CONTACT LENGTH INDICATED AND MATTE TIN ON SOLDER TAIL END.
- DIMENSIONS IN BRACKETS ARE IN INCHES.



3 DIMENSIONAL MODEL  
SCALE 4:1



SECTION A-A  
SCALE 10:1

PIN CONTACT MATERIAL AND FINISH	HOUSING MATERIAL AND COLOR	PART NUMBER
PHOSPOR BRONZE, GOLD $\Delta$	NYLON, UL94V-2, NATURAL	350434-4
PHOSPOR BRONZE, GOLD $\Delta$	NYLON, UL94V-2, NATURAL	350434-2
PHOSPOR BRONZE, PRE-TIN	NYLON, UL94V-2, NATURAL	350434-1

RECOMMENDED MOUNTING HOLE PATTERN FOR 1.57 [.062] THICK P.C. BOARD HOLE THAT CORRESPONDS TO REMOVED CONTACT CAN BE OMITTED



THIS DRAWING IS A CONTROLLED DOCUMENT.		DWN R. WHITAKER 04MAY2005		S. RIDGILL 04MAY2005		S. RIDGILL 04MAY2005		NAME		PIN HEADER ASSEMBLY, 15 CIRCUIT, UNIVERSAL MATE-N-LOK(TM)	
DIMENSIONS: mm [INCHES]		TOLERANCES UNLESS OTHERWISE SPECIFIED:		PRODUCT SPEC		APPLICATION SPEC		SIZE		CAGE CODE DRAWING NO	
9 PLC ±		3 PLC ±0.13(.005)		4 PLC ±		ANGLES ±		WEIGHT		A100779C=350434	
FINISH		SEE TABLE		CUSTOMER DRAWING		SCALE 1:1		SHEET 1 OF 1		REV Y1	