

Panasonic

Ultra-slim
LIGHT CURTAIN

Type 2 PLc SIL1

SF2C SERIES


Conforming to Machine
& EMC Directive


Certified


Certified by
NRTL

Conforming to
OSHA / ANSI

Introducing Type 2 Ultra-slim Light Curtains!

Featuring easy installation
and reduced wiring

Large built-in multi-purpose indicators

Includes a large indicator that
supports an extensive range of
applications via external input.

13.2mm

Smart equipment

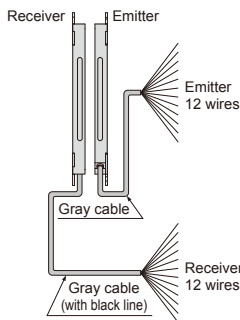
SF2C (with mounting bracket)

* The picture is an image.

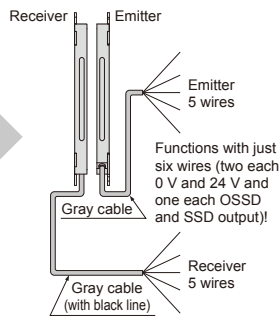
Dramatically less wiring work

Light curtain wiring consists of just five wires each for the emitter and receiver, allowing you to easily implement safety measures in about the same amount of time as with an area sensor.

SF4C Series (Type4)



SF2C Series (Type2)



Note: Requires a safety circuit architecture that complies with the desired control category implemented using either an SF-C13 Control Unit, a safety relay, or other equipment.

Slim size for efficient applications

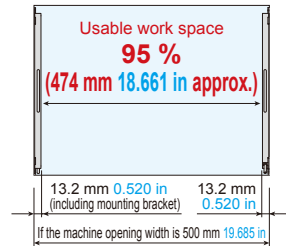
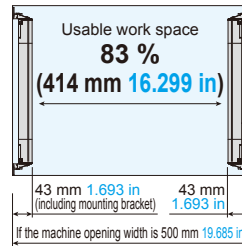
Available work space is expanded from the previous model, and productivity is improved.

If the machine opening is 500 mm **19.685 in**

Previous

SF2C Series

Usable work space approx.
12% UP
(60 mm 2.362 in)



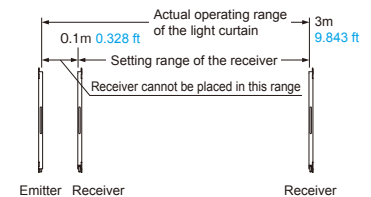
ORDER GUIDE

Light curtains

Type	Appearance	Operating range (Note 1)	Model No. (Note 2)		No. of beam Channels	Protective height (mm in)
			PNP output type	NPN output type		
Hand protection type Min. sensing object: $\phi 25$ mm $\phi 0.984$ in (20 mm 0.787 in beam pitch)		0.1 to 3m 0.328 to 9.843 in	SF2C-H8-P	SF2C-H8-N	8	160 6.299
			SF2C-H12-P	SF2C-H12-N	12	240 9.449
			SF2C-H16-P	SF2C-H16-N	16	320 12.598
			SF2C-H20-P	SF2C-H20-N	20	400 15.748
			SF2C-H24-P	SF2C-H24-N	24	480 18.898
			SF2C-H28-P	SF2C-H28-N	28	560 22.047
			SF2C-H32-P	SF2C-H32-N	32	640 25.197

Notes: 1) The operating range is the possible setting distance between the emitter and the receiver.

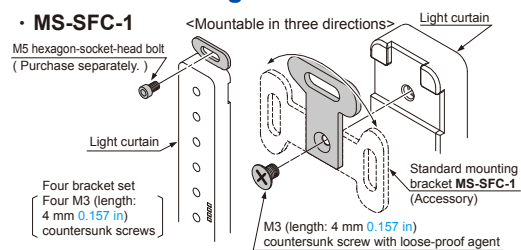
2) The model No. with suffix "E" shown on the label affixed to the product is the emitter, "D" shown on the label is the receiver.



Spare parts (Accessories for light curtain)

Designation	Model No.	Description
Standard mounting bracket	MS-SFC-1	Allows the light curtain to be mounted at the rear with one M5 hexagon-socket-head bolt. Mounting direction of the bracket can be selected between vertical or horizontal (no dead zone). (4 pcs. per set for emitter and receiver)
Test rod $\phi 25$	SF4C-TR25	Min. sensing object for regular checking ($\phi 25$ mm $\phi 0.984$ in)

Standard mounting bracket



OPTIONS

Mounting bracket

Designation	Model No.	Description
NA2-N compatible mounting bracket	MS-SFC-2	Used when changing over area sensor NA2-N series to the SF2C series. The mounting holes of NA2-N series can continue to be used. Center mounting by a M6 hexagon-socket-head bolt is also possible. (4 pcs. per set for emitter and receiver)
Versatile bracket	MS-SFC-3	Two ways of mounting are possible. ① Rear mounting which enables beam adjustment ② Dead zoneless center mounting on aluminum frame (4 pcs. per set for emitter and receiver)
Intermediate supporting bracket for versatile bracket	MS-SFC-4	Used to support the light curtain in the middle. Be sure to purchase it when using MS-SFC-3 on SF2C-H28-P, SF2C-H28-N, SF2C-H32-P, SF2C-H32-N. (2 pcs. per set for emitter and receiver)

Metal protection case

Applicable beam channels	Designation	Metal protection case (2 pcs. per set for emitter and receiver)
	SF2C-H□	Model No.
	8	MS-SFCH-8
	12	MS-SFCH-12
	16	MS-SFCH-16
	20	MS-SFCH-20
	24	MS-SFCH-24
	28	MS-SFCH-28
	32	MS-SFCH-32

• MS-SFCH-8 • MS-SFCH-□ (Excluding MS-SFCH-8)

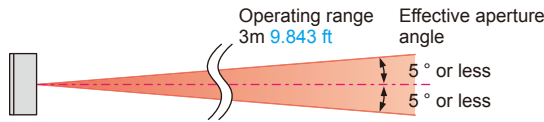


Control unit

Designation	Appearance	Model No.	Description
Slim type control unit		SF-C13	Use a discrete wire cable to connect to the light curtain. Relay output. Compatible with up to control category 4 (control category 2 when used together with the SF2C series).

Beam axis alignment made easy

The emitter has an effective aperture angle of $\pm 5^\circ$ or less for an operating range of 3 m **9.843 ft**. Compared to Type 4 light curtains (which have an effective aperture angle of $\pm 2.5^\circ$ or less), the **SF2C** series is easy to align and install.



Includes cables and mounting brackets

The **SF2C** series includes cables (3 m **9.843 ft**) for use with all models and standard mounting brackets (**MS-SFC-1**).

Simple Safety Distance Calculations

The response time of all finger protection light curtains in the finger type is 20 ms or less. Recalculation of the safety distance is unnecessary for each time light curtain length is changed.

Light weight!

The **SF2C** series is made of resin that is lighter than the conventional aluminum case type*. Its lightweight body eases the burden on the mounting surface of the equipment and contributes to overall reduced weight during equipment transportation or overseas shipment.

*Except the cable part

Protection structure IP67

An IP67 (IEC) rating is achieved with an ultra-slim size for protection from environmental factors.

SPECIFICATIONS

Light curtain common specifications

Item	Type	PNP output type	NPN output type
	Model No.	SF2C-H□-P	SF2C-H□-N
Operating range		0.1 to 3 m 0.328 to 9.843 ft	
Beam pitch		20 mm 0.787 in	
Min. sensing object		ø25 mm ø0.984 in opaque object	
Effective aperture angle		$\pm 5^\circ$ or less [for an operating range exceeding 3 m 9.843 ft (conforming to IEC 61496-2 / UL 61496-2)]	
Supply voltage		24 V DC $\pm 20\%$ Ripple P-P 10 % or less	
Control output (OSSD)		Max. source current: 200 mA	Max. sink current: 200 mA
	Operation mode	ON when all beam channels are received, OFF when one or more beam channels are interrupted (OFF also in case of any malfunction in the light curtain or the synchronization signal)	
Response time	Protection circuit	Incorporated	
		OFF response: 20 ms or less, ON response: 80 to 100 ms	
Lockout output (SSD)		Max. source current: 60 mA	Max. sink current: 60 mA
	Operation mode	ON during normal operation, OFF during lockout (Note2)	
Pollution degree	Protection circuit	Incorporated	
		3	
Operating altitude		2,000 m 6561.680 ft or less (Note3)	
Environmental resistance	Degree of protection	IP65, IP67 (IEC)	
	Ambient temperature	-10 to +55 °C +14 to +131 °F (No dew condensation or icing allowed), Storage: -25 to +60 °C -13 to +140 °F	
	Ambient humidity	30 to 85 % RH, Storage: 30 to 85 % RH	
Emitting element		Infrared LED (Peak emission wavelength: 850 nm 0.034 mil)	
Cable		0.16 mm ² 5-core heat-resistant PVC cable, 3 m 9.842 ft long	
Material		Enclosure: Polycarbonate alloy, Sensing surface: Polycarbonate alloy, MS-SFC-1 (Standard mounting bracket) : Stainless steel (SUS)	
Accessories		MS-SFC-1 (Standard mounting bracket): 1 set, SF4C-TR25 (Test rod): 1 No.	

Notes: 1) Where measurement conditions have not been specified precisely, the conditions used were an ambient temperature of +20 °C **+68 °F**.

2) If the emitter enters a lockout state, and light from the emitter enters the receiver, lockout information will be transmitted and lockout output (SSD) will turn OFF.

3) Do not use or storage in environment of more than atmospheric pressure at sea level.

Light curtain individual specifications

Item	Type	Min. sensing object ø25 mm ø0.984 in (20 mm 0.787 in beam pitch)								
		Model No.	PNP output type	SF2C-H8-P	SF2C-H12-P	SF2C-H16-P	SF2C-H20-P	SF2C-H24-P	SF2C-H28-P	SF2C-H32-P
No. of beam channels			8	12	16	20	24	28	32	
Protective height			160 mm 6.299 in	240 mm 9.449 in	320 mm 12.598 in	400 mm 15.748 in	480 mm 18.898 in	560 mm 22.047 in	640 mm 25.197 in	
Current consumption	Large multi-purpose indicator lights off		Emitter: 25 mA or less Receiver: 25 mA or less	Emitter: 30 mA or less Receiver: 30 mA or less		Emitter: 35 mA or less Receiver: 35 mA or less				
	Large multi-purpose indicator lights up		Emitter: 35 mA or less Receiver: 30 mA or less	Emitter: 35 mA or less Receiver: 35 mA or less	Emitter: 40 mA or less Receiver: 35 mA or less	Emitter: 40 mA or less Receiver: 40 mA or less	Emitter: 45 mA or less Receiver: 40 mA or less	Emitter: 45 mA or less Receiver: 45 mA or less	Emitter: 50 mA or less Receiver: 45 mA or less	
PFH _D (Note)	PNP output type		3.60×10^{-9}	3.66×10^{-9}	3.73×10^{-9}	3.79×10^{-9}	3.85×10^{-9}	3.92×10^{-9}	3.98×10^{-9}	
	NPN output type		3.74×10^{-9}	3.80×10^{-9}	3.86×10^{-9}	3.93×10^{-9}	3.99×10^{-9}	4.05×10^{-9}	4.12×10^{-9}	
MTTF _D (Note)			100 years or more							
Net weight (Total of emitter and receiver)			280 g approx.	340 g approx.	400 g approx.	460 g approx.	520 g approx.	580 g approx.	640 g approx.	

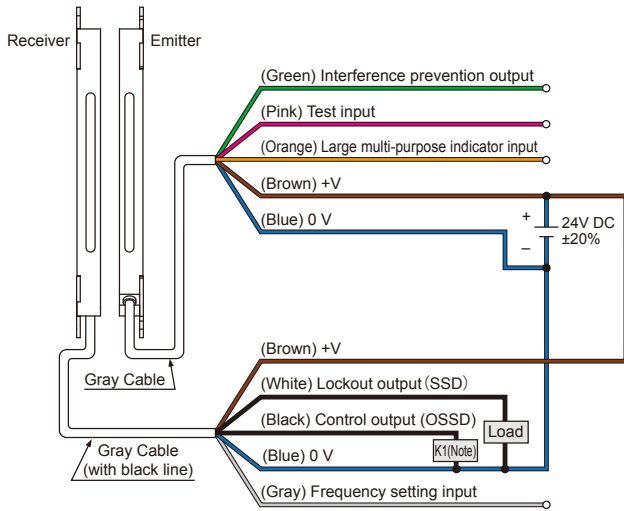
Note: PFH_D; Probability of dangerous failure per hour, MTTF_D; Mean time to dangerous failure.

Connection example

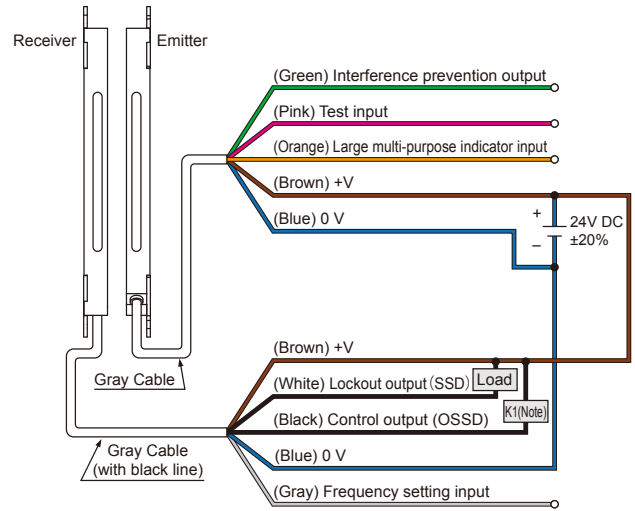
Basic wiring: Min. operation only

This is the general configuration using one set of the emitter and receiver facing each other. The control output (OSSD) turns OFF if the light is interrupted, while it automatically turns ON if receive the light.

<PNP output type SF2C-H□-P>



<NPN output type SF2C-H□-N>



Note: Requires a safety circuit architecture that complies with the desired control category implemented using either an SF-C13 Control Unit, a safety relay, or other equipment.

DIMENSIONS (Unit: mm in)

The CAD data in the dimensions can be downloaded from our website. Refer to our web site for the dimensions of mounting bracket etc.

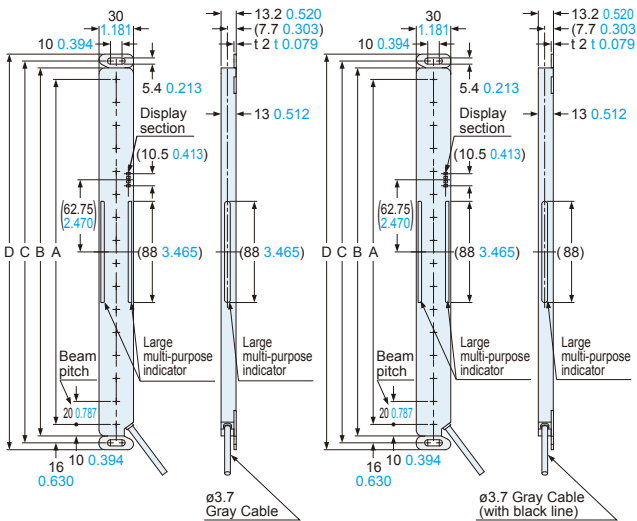
SF2C-H□

Light curtain

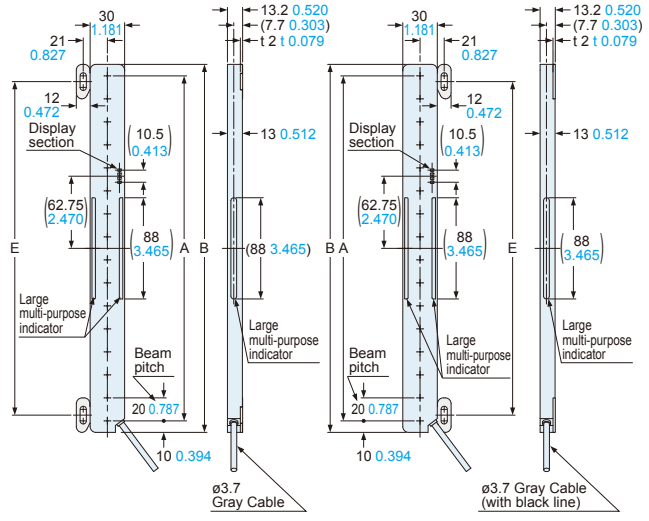
Mounting bracket assembly dimensions

Mounting drawing for the light curtains using the standard mounting brackets MS-SFC-1 (accessory).

<Center mounting>



<Dead zoneless mounting>



Emitter

Receiver

Emitter

Receiver

Model No.	A	B	C	D	E
SF2C-H8□	140 5.512	160 6.299	172 6.772	184 7.244	130 5.118
SF2C-H12□	220 8.661	240 9.449	252 9.921	264 10.394	210 8.268
SF2C-H16□	300 11.811	320 12.598	332 13.071	344 13.543	290 11.417
SF2C-H20□	380 14.961	400 15.748	412 16.220	424 16.693	370 14.567
SF2C-H24□	460 18.110	480 18.898	492 19.370	504 19.842	450 17.717
SF2C-H28□	540 21.260	560 22.047	572 22.520	584 22.992	530 20.866
SF2C-H32□	620 24.409	640 25.197	652 25.669	664 26.142	610 24.016