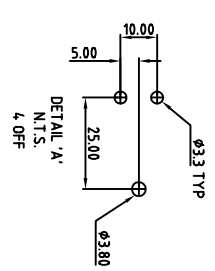
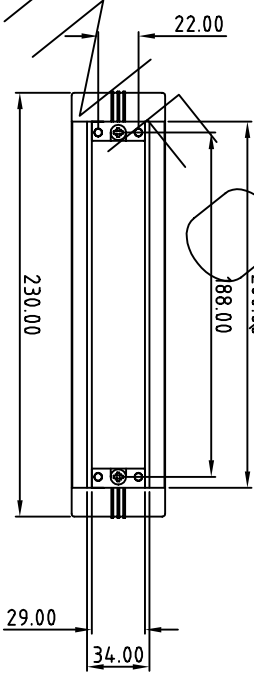
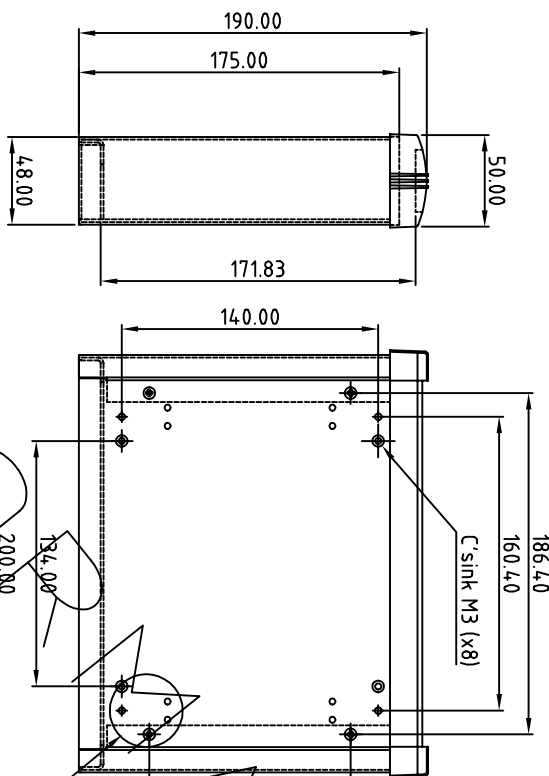
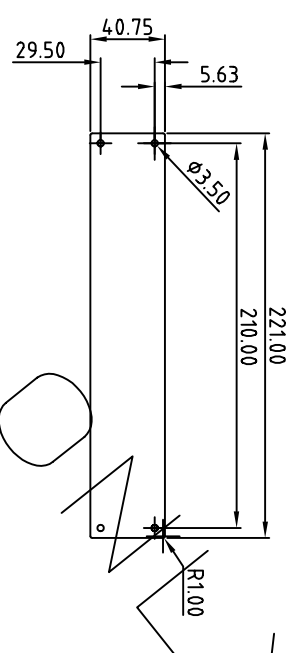
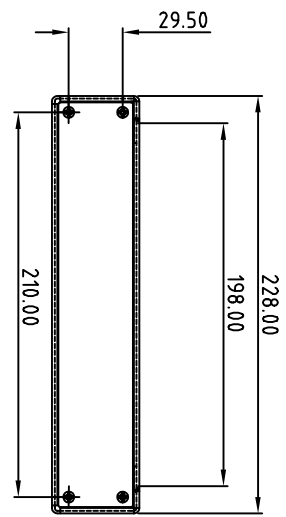


FIRST ANGLE PROJECTION



Note: Subject to technical modifications without prior notice.
 Typographical and other errors do not justify any claim for damages.
 All dimensions should be verified using the actual case.

Modifications
 1

FOR

Tolerances unless otherwise stated:		Required Finish		Scale: 1:4		ALL DIMENSIONS IN MILLIMETRES		DO NOT SCALE	
General tolerances ± 0.20				Drawn by: Mark Jeffery		Checked by:		Date drawn: 04/04/01	
Resultant tolerances between hole centers ± 0.15				Drawing Number: M5623005		Part Name: Uninet Size 1		Material Spec:	
Tolerances on hole diameters ± 0.05				Part Number: M5623005		Sheet 1 of 1			
Angles $\pm 0.5^\circ$				OKW ENCLOSURES LTD Unit 6, Kingdom Close, Segensworth East Fareham, Hampshire, UK, PO15 5TJ		Material Spec:			
Surface finish $\sqrt{32}$				OKW ENCLOSURES LTD DATE AS SHOWN THIS DRAWING CONTAINS PROPRIETARY INFORMATION OF OKW ENCLOSURES LTD AND IS TENDERED SUBJECT TO THE FOLLOWING CONDITIONS: THE INFORMATION IS RETAINED IN CONFIDENCE, NOT BE REPRODUCED OR COPIED, AND NOT BE USED OR INCORPORATED IN ANY PRODUCT, UNLESS PERMISSION IS OBTAINED IN WRITING FROM OKW ENCLOSURES LTD.		Material Spec:			