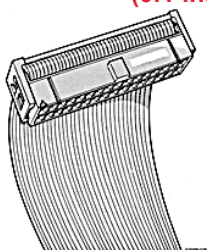


**66900-216LF - Quickie® :**  
**Standard Dual Beam - Double**  
**row - 16 Positions - 2.54 mm**  
**(0.1 in.)**



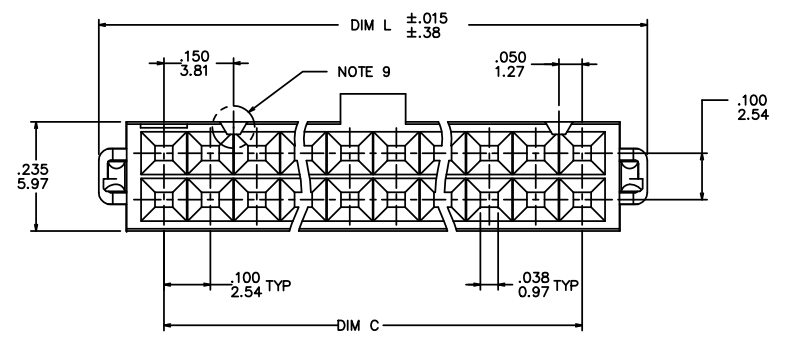
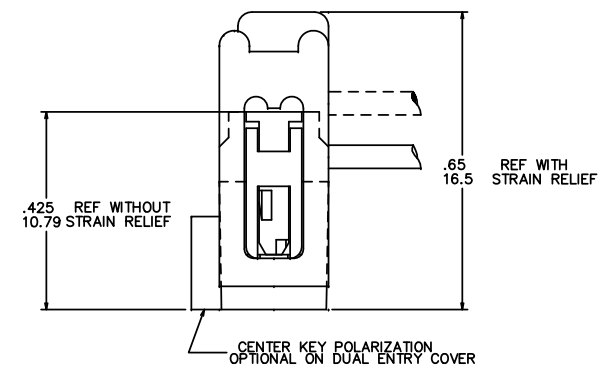
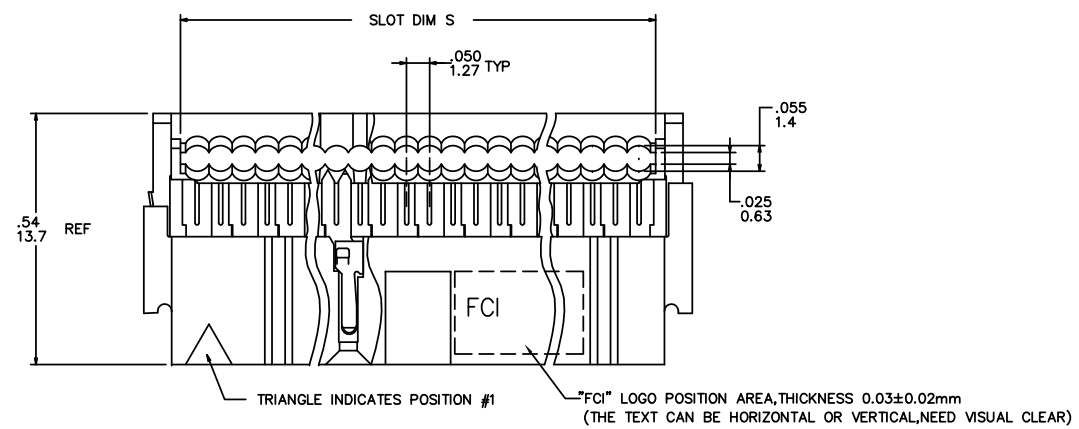
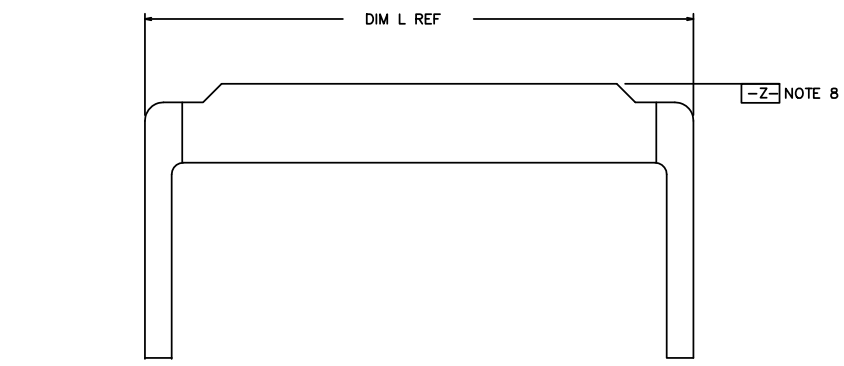
[www.fci.com](http://www.fci.com)

## Specifications

<b>General</b>	
<b>Number of contacts (Total)</b>	16
<b>Number of rows</b>	2
<b>Polarization</b>	Center and Dual
<b>Strain Relief</b>	Standard
<b>Style</b>	Standard Dual Beam
<b>Termination Style</b>	IDC
<b>Application Equipment</b>	QP-104 QP-112 HT-209A QP-106 HT-210A QP-113
<b>Attachment type (Board)</b>	IDC Ribbon Cable Receptacle
<b>Mating half</b>	Mates with 0.64 mm(0.025 in.) Square or Round pin from 4.32 mm(0.17 in.) min. to 6.35 mm(0.25 in.) max. A nominal 5.84 mm(0.23 in.) is recommended.
<b>Electrical</b>	
<b>Current rating</b>	1 amp Continuous
<b>Resistance (Contact)</b>	15 m ohms max.
<b>Resistance (Insulation)</b>	50000 M-ohms
<b>Voltage rating</b>	1000V AC rms
<b>Physical</b>	
<b>Color (Housing)</b>	Blue
<b>Material (Contact)</b>	Copper Alloy
<b>Material (Housing)</b>	Glass - Filled Thermoplastic Polyester
<b>Plating (Contact area)</b>	0.76 µm (30 µin.) Gold
<b>Plating (Tail)</b>	0.76 µm (30 µin.) Gold
<b>Underplating (Contact)</b>	1.27 µm (50 µin.) Nickel
<b>Temperature (Range)</b>	-65°C to +105°C
<b>Approvals / Certifications</b>	
<b>UL File Number</b>	E66906

<b>CSA File Number</b>	LR46923
<b>Approvals / Certifications</b>	UL and CSA Approved
<b>Other Features</b>	
<b>Packaging (Type)</b>	Tube

PRODUCT NUMBER  
SEE TABLE



mat'l. code				surface ISO 1302 ✓		tolerance ISO 406 ISO 1101		projection INCH/MM		product family QUICKIE	
ltr	ecn no	dr	date	tolerances unless otherwise specified		linear		INCH/MM		title DUAL POLARIZED QUICKIE II ASSEMBLY	
N	REDRAW	MRC	1991-01-03			.XXX±.01/.XXX±.03				dwg no	
P	V13269	JM	1991-12-12			.XXX±.005/.XXX±.013				sheet 1 of 2	
R	V22169	MSC	1992-05-21	±2°		.XXXX±.0020/.XXXX±.0051		scale 8:1		size A3	
S	N05-0060	MHT	2005-07-25	dr	M. CORNMANN	1/3/91				66900	
T	N09-0400	A.ZH	2010-01-18	enr	M.SYMK	1/3/91				Product Customer Drawing	
U	ELX-N-011958	JZ	2012-06-15	chr	M.SYMK	1/3/91					
V	ELX-N-13342	DCS	2012-11-01	appd	M.SYMK	1/3/91					
sheet index	revision sheet	V	V								

PRODUCT No. NOTE 12	SIZE	DIM L	DIM S	DIM C
66900-X10	2X5	.680/17.27	.520/13.21	.400/10.16
-X14	2X7	.880/22.35	.720/18.29	.600/15.24
-X16	2X8	.980/24.89	.820/20.83	.700/17.78
-X20	2X10	1.180/29.97	1.020/25.91	.900/22.86
-X24	2X12	1.380/35.05	1.220/30.99	1.100/27.94
-X26	2X13	1.480/37.59	1.320/33.53	1.200/30.48
-X30	2X15	1.680/42.67	1.520/38.61	1.400/35.56
-X34	2X17	1.880/47.75	1.720/43.69	1.600/40.64
-X40	2X20	2.180/55.37	2.020/51.31	1.900/48.26
-X44	2X22	2.380/60.45	2.220/56.39	2.100/53.34
-X50	2X25	2.680/68.07	2.520/64.01	2.400/60.96
66900-X60	2X30	3.180/80.77	3.020/76.71	2.900/73.66

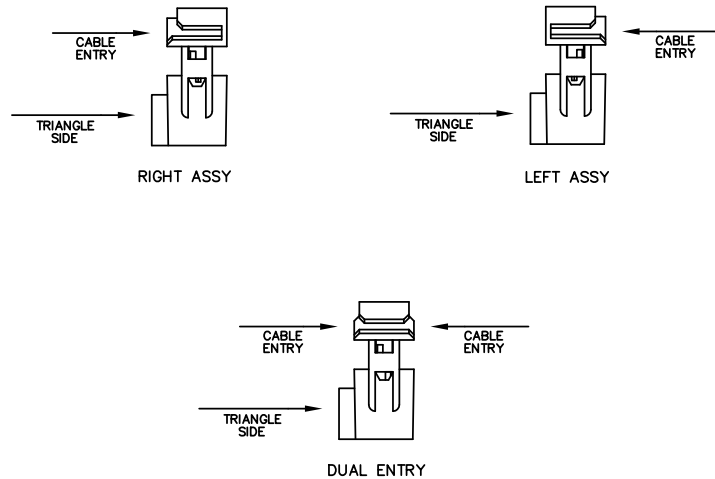
DASH NO	COVER		POLARIZATION	STRAIN RELIEF
	STYLE	ORIENTATION		
-0XX	THRU	DUAL ENTRY	DUAL POL.	YES
-1XX	THRU	DUAL ENTRY	DUAL POL.	NO
-2XX	THRU	DUAL ENTRY	CENTER KEY & DUAL POL.	YES
-3XX	THRU	DUAL ENTRY	CENTER KEY & DUAL POL.	NO
-4XX	BLIND	RIGHT	DUAL POL.	YES
-5XX	BLIND	RIGHT	DUAL POL.	NO
-6XX	BLIND	LEFT	DUAL POL.	YES
-7XX	BLIND	LEFT	DUAL POL.	NO
-8XX	BLIND	RIGHT	CENTER KEY & DUAL POL.	YES
-9XX	BLIND	LEFT	CENTER KEY & DUAL POL.	YES

DASH NO	COVER		POLARIZATION	STRAIN RELIEF	NOTE
	STYLE	ORIENTATION			
-AXX	BLIND	LEFT	DUAL POL.	NO	NOTE 17
-BXX	THRU	DUAL ENTRY	DUAL POL.	YES	
-CXX	THRU	DUAL ENTRY	DUAL POL.	NO	
-DXX	THRU	DUAL ENTRY	CENTER KEY & DUAL POL.	NO	
-EXX	BLIND	RIGHT	DUAL POL.	YES	
-FXX	BLIND	RIGHT	DUAL POL.	NO	

NOTES:

1. TERMINAL MATERIAL: FULL HARD PHOS. BRONZE ALLOY, UNS-C51000.
2. TERMINAL PLATING: 50u"/27u MIN NI UNDERPLATE OVER ENTIRE TERMINAL AND 30u"/.76u MIN Au OR GXT IN CONTACT AREA ONLY.
3. MOLDING MATERIAL: BASE & COVER- GLASS FILLED POLYESTER, FLAME RETARDANT PER UL94V-0, COLOR- BLUE.
4. CONNECTOR ASSEMBLIES PACKAGED IN TUBES.
5. THE FIRST TWO CAVITY POSITIONS AND THE LAST TWO, ARE IDENTIFIED BY NUMBER.
6. POLARIZING FEATURES ARE DESCRIBED IN TABLE.
7. MOLDING MATERIAL: STRAIN RELIEF- NYLON, FLAME RETARDANT PER UL94V-0, COLOR- BLUE.
8. STRAIN RELIEF DIM APPLIES WHEN DATUM -Z- IS HELD IN A RESTRAINED CONDITION.
9. THE POLARIZING FEATURE ON THIS END IS NON-EXISTANT ON 2X5 AND 2X7 POSITION CONNECTORS.
10. 2x5 POSITION NOT AVAILABLE WITH POLARIZATION SLOT ON CENTER KEY STYLE.
11. TO ORDER PARTS THAT DO NOT HAVE "MARKED INFO", (DATE, P/N, ETC), ADD A "U" AFTER THE PART NUMBER. EXAMPLE 66900-010 U.
12. ADD "LF" SUFFIX AT THE END OF PART NUMBER FOR LEAD FREE OPTION.
13. IF "LF" P/N THE PRODUCT MEETS EUROPEAN UNION DIRECTIVES AND OTHER COUNTRY REGULATION AS DESCRIBED IN GS-22-008.
14. THE PRODUCT IS NOT INTENDED TO BE EXPOSED TO A MANUFACTURING SOLDER PROCESS.
15. PRODUCT SPEC. BUS-12-082
16. PLATING OPTIONS: MAY BE EITHER GOLD OR GXT PLATED AT MANUFACTURER'S OPTION.
17. FOR CUSTOMER SPECIAL REQUIREMENT. TERMINAL PLATING: 50u"/27u MIN NI UNDERPLATE OVER ENTIRE TERMINAL AND 30u"/.76u MIN Au IN CONTACT AREA ONLY.

COVER ORIENTATION



mat'l. code		surface ISO 1302 ✓	tolerance ISO 406 ISO 1101	projection INCH/MM	product family QUICKIE
ltr	ecn no	dr	date	tolerances unless otherwise specified	title DUAL POLARIZEO QUICKIE II ASSEMBLY
v				angles linear XXX±.01/XXX.03 XXX±.005/XXX±0.13 XXX±.0020/XXX±0.051	
				±2"	scale 1:1
		dr	M. CORNMAN	1/3/91	dwg no 66900 sheet 2 of 2 size A3
		enrg	M.SYMK	1/3/91	
		chr	M.SYMK	1/3/91	
		appd	M.SYMK	1/3/91	
sheet index	revision sheet				type Product Customer Drawing