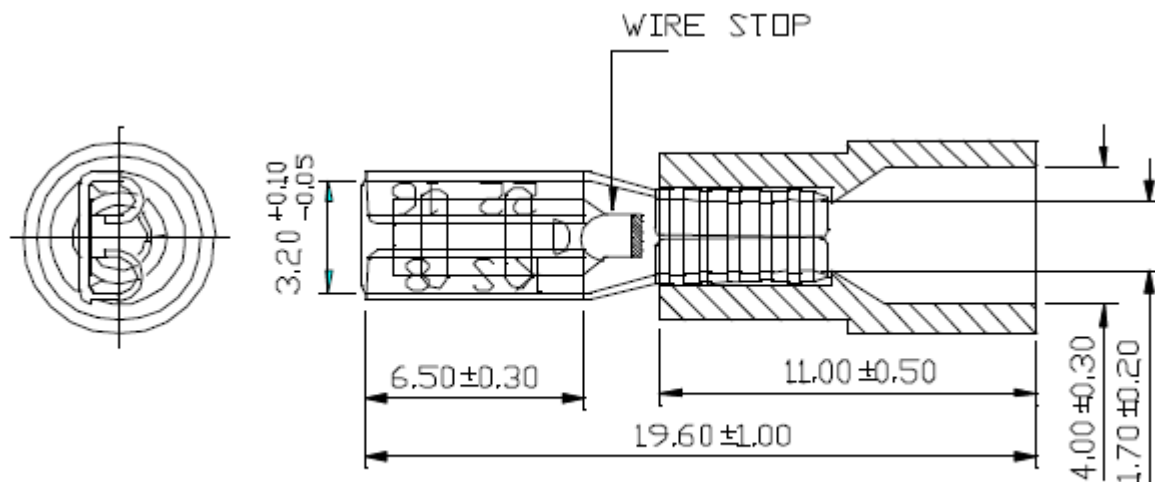


Datasheet

Red Insulated Crimp Receptacle

RS Stock number [613-9968](#)

Drawing (mm):



Specifications:

1. MAXIMUM ELECTRIC CURRENT:

A.W.G.	22	20	18	16
AMP _r	3	4	7	10
2. MAXIMUM ELECTRICAL RATING: 125°C 300 VOLTS MAX.
3. INSULATION MATERIAL: PC
4. INSULATION COLOR: RED
5. TERMINAL MATERIAL: COPPER
6. WIRE RANGE: 22-16 A.W.G. (0.5-1.5mm²)
7. TERMINAL THICKNESS: 0.30mm