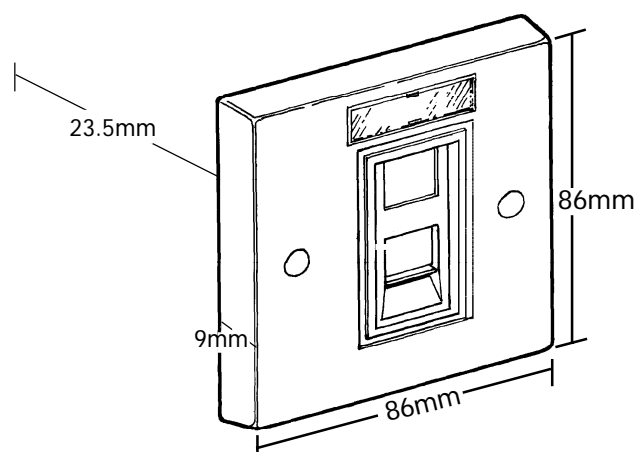


# Single Shuttered Moulded Wallplate 8 Wire 568B Category 5

18.1B.011.A0012

## Features

- Very low rear profile
- Incorporates KATT insulation displacement contacts, rear mounted
- New low profile RJ45 with shutter
- Protected label facility
- Screw covers give quality flush finish



## Single Shuttered Moulded Wallplate

The Single Shuttered Wallplate is one complete assembly which is designed to fit the dimensions of back boxes to BS 1363:1984. Independently tested to Category 5, the wallplate offers rear mounted shielded KATT insulation displacement contacts (IDC) resulting in fast interconnections to horizontal building wiring. The economic design also offers the lowest rear profile, thus dramatically increasing cable space within the back box or trunking. The front face includes a protected label facility, recessed adhesive label location, shuttered RJ45 socket and push fit covers that locate over the front screws to give a high quality finish.

Part No.	Description
18.1B.011.A0012	Single Shuttered Moulded Wallplate 8 Wire 568B

## Technical Specification

### Termination Tools:

MOD-TAP and industry standard tooling

### IDC Terminations:

Suitable for 0.4mm-0.6mm solid or stranded cable, maximum O.d. 1.5mm. Two wires may be terminated for daisy-chain applications.

## Mechanical

### Jack Connector

Operating Life: Minimum 500 insertion cycles  
 Contact Material: Phosphor Bronze  
 Contact Plating: 1.25 micrometres Au/Ni  
 Approvals: UL Listed Connector

## IDC Connector

Operating Life: Minimum 100 Reterminations  
 Contact Material: Phosphor Bronze  
 Contact Plating: Sn/Pb over Ni  
 Wire Size: 2x26-22 AWG solid or stranded

## Electrical

D.C. Resistance: 20 mΩ  
 D.C. Resistance Imbalance: 2.0 mΩ  
 Insulation Resistance >100 MΩ

Attenuation (dB)	@	1 MHz	0.0121
	@	16 MHz	0.0193
	@	100 MHz	0.1052
Crosstalk (dB)	@	1 MHz	-84.26
	@	16 MHz	-60.03
	@	100 MHz	-42.32
Return Loss (dB)	@	1 MHz	-51.26
	@	16 MHz	-36.99
	@	100 MHz	-18.06