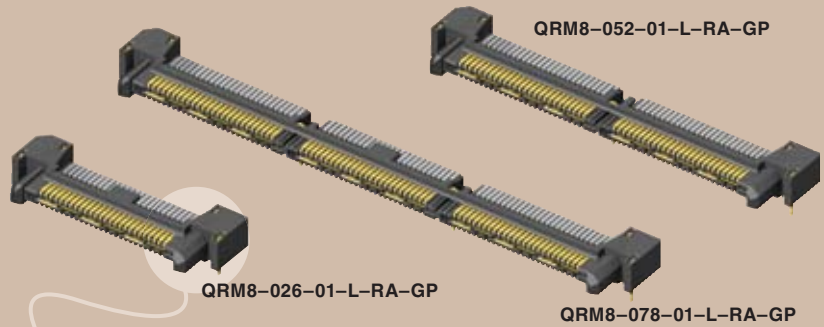




(0,80mm) .0315"

QRM8-RA SERIES



# RIGHT ANGLE GROUND PLANE HEADER

## SPECIFICATIONS

For complete specifications and recommended PCB layouts see [www.samtec.com?QRM8-RA](http://www.samtec.com?QRM8-RA)

**Insulator Material:** Black LCP  
**Terminal & Ground Plane Material:** Phosphor Bronze  
**Plating:** Au or Sn over 50µ" (1,27µm) Ni  
**Current Rating:** 1.5A @ 95°C (6 contacts powered)  
**Operating Temp Range:** -55°C to + 125°C  
**Voltage Rating:** 230 VAC/325 VDC  
**RoHS Compliant:** Yes

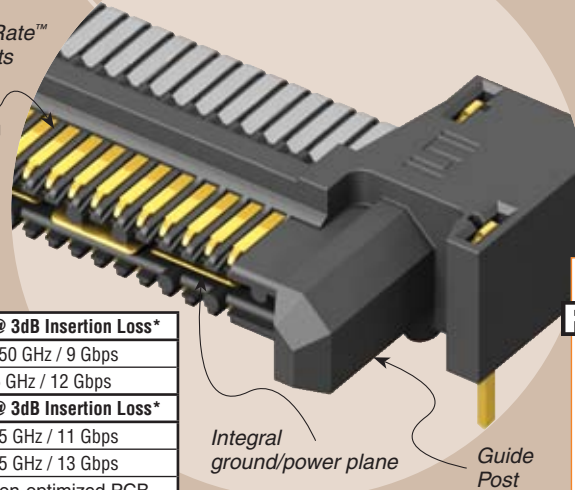


**Processing:**  
**Lead-Free Solderable:** Yes  
**SMT Lead Coplanarity:** (0,10mm) .004" max (026-052) (0,15mm) .006" max (078)

**Board Mates:**  
 QRF8 (-GP required)



Edge Rate™ contacts



Integral ground/power plane

Guide Post



QRM8-RA/QRF8-RA	Type	Rated @ 3dB Insertion Loss*
Single-Ended Signaling	-D	4.50 GHz / 9 Gbps
Differential Pair Signaling	-D	6 GHz / 12 Gbps
QRM8-RA/QRF8	Type	Rated @ 3dB Insertion Loss*
Single-Ended Signaling	-D	5.5 GHz / 11 Gbps
Differential Pair Signaling	-D	6.5 GHz / 13 Gbps

\*Performance data includes effects of a non-optimized PCB. Complete test data available at [www.samtec.com?QRM8-RA](http://www.samtec.com?QRM8-RA) or contact [sig@samtec.com](mailto:sig@samtec.com)

**QRM8** - **POSITIONS PER ROW** - **01** - **PLATING OPTION** - **RA** - **GP** - **OPTION**

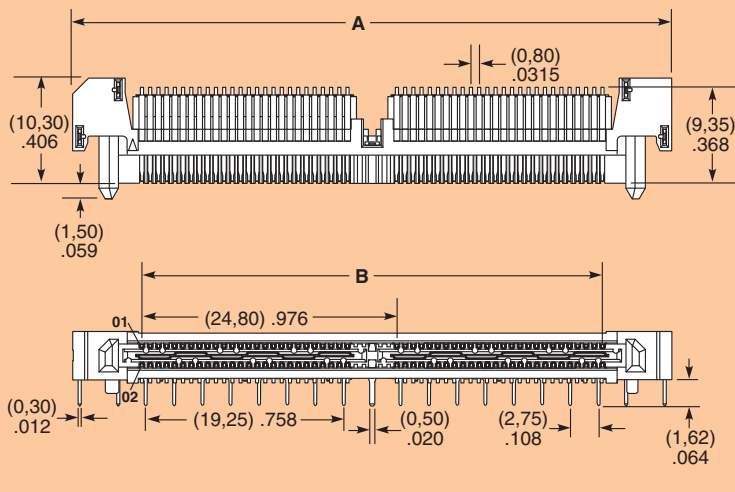
**-026, -052, -078**  
(52 total positions per bank)

**-L**  
= 10µ" (0,25µm) Gold on contact, Matte Tin on tail

**-K**  
= (7,00mm) .275" DIA Polyimide film Pick & Place Pad (-052 only)

**-TR**  
= Tape & Reel (-026 & -052 only)

**Note:** Other Gold plating options available. Contact Samtec.



POSITIONS PER ROW	A	B
-026	(33,46) 1.317	(20,00) .787
-052	(58,26) 2.294	(44,80) 1.764
-078	(83,06) 3.270	(69,60) 2.740

**Note:** For -GP (Guide Post option) to -GP (Guide Post option) mating.  
**Note:** Some lengths, styles and options are non-standard, non-returnable.

Due to technical progress, all designs, specifications and components are subject to change without notice.

[WWW.SAMTEC.COM](http://WWW.SAMTEC.COM)