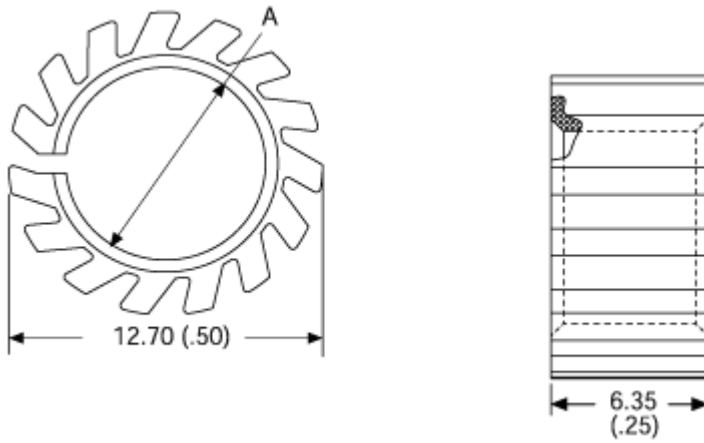


For use with TO-5 packages

Part Number - 320205B00000G

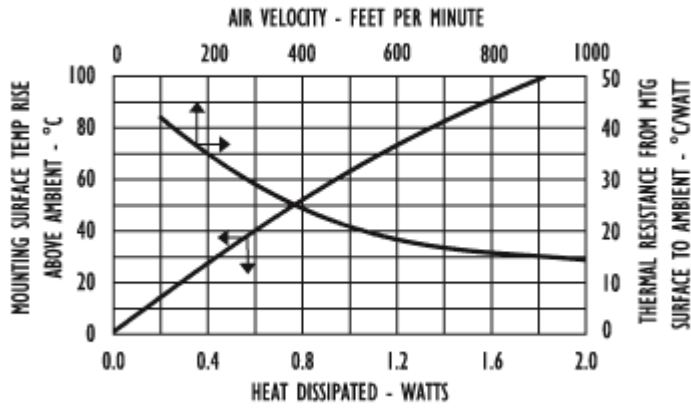


Mechanical Outline Drawing



A Dim 7.75

Thermal Curves



Thermal Resistance 63.00

Thermal resistance value is based on a 75°C rise in natural convection

Product Information

Part #	Description	Finish	Board Mounting
320205B00000G	Extruded collar style heat sink with swept back fins	Black Anodize	N/A