



PUSHBUTTON, 22MM, ROUND, PLASTIC WITH METAL FRONT RING, WHITE, RAISED FRONT RING MOMENTARY CONTACT TYPE

Figure similar

product brand name		SIRIUS ACT
Product designation		Commanding and signaling devices
Design of the product		Pushbutton

**Actuator:**

Design of the operating mechanism		pushbutton with flat button
Manner of function of the actuating element		Momentary contact type
Product expansion optional Light source		No
Color		
• of the actuating element		White
Material of the actuating element		plastic
Shape of the actuating element		round
Outer diameter of the actuating element	mm	29.45
Type of unlocking device		without

**Front ring:**

Product component front ring		Yes
Design of the front ring		high
Material of the front ring		Metal, matt
Color of the front ring		sand gray

**General technical data:**

Vibration resistance		
• acc. to IEC 60068-2-6		10 ... 500 Hz: 5g
Operating frequency maximum	1/h	3 600
Mechanical service life (switching cycles)		
• typical		10 000 000

<b>Equipment marking</b>		
• acc. to DIN EN 61346-2		S
• acc. to DIN EN 81346-2		S

**Ambient conditions:**

<b>Ambient temperature</b>		
• during operation	°C	-25 ... +70
• during storage	°C	-40 ... +80

**Installation/ mounting/ dimensions:**

<b>Height</b>	mm	29.45
<b>Width</b>	mm	29.45
<b>Shape of the installation opening</b>		round
<b>Mounting diameter</b>	mm	22

**Certificates/ approvals:**

**Further information**

**Information- and Downloadcenter (Catalogs, Brochures,...)**

<http://www.siemens.com/industrial-controls/catalogs>

**Industry Mall (Online ordering system)**

<http://www.siemens.com/industrymall>

**Cax online generator**

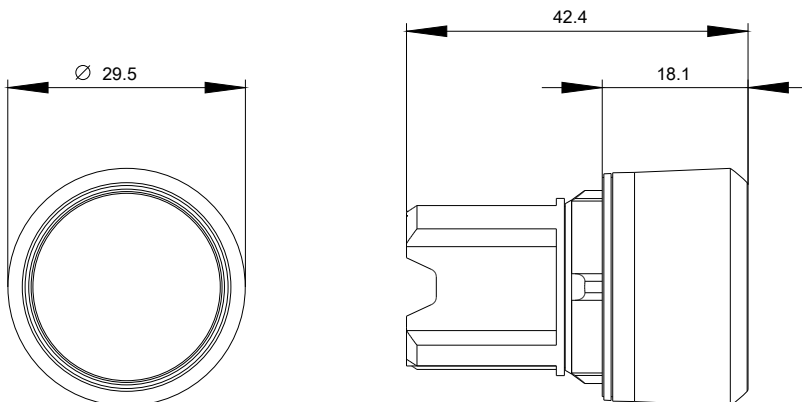
<http://support.automation.siemens.com/WW/CAXorder/default.aspx?lang=en&mfb=3SU10300CB600AA0>

**Service&Support (Manuals, Certificates, Characteristics, FAQs,...)**

<http://support.automation.siemens.com/WW/view/en/3SU10300CB600AA0/all>

**Image database (product images, 2D dimension drawings, 3D models, device circuit diagrams, EPLAN macros, ...)**

[http://www.automation.siemens.com/bilddb/cax\\_de.aspx?mfb=3SU10300CB600AA0&lang=en](http://www.automation.siemens.com/bilddb/cax_de.aspx?mfb=3SU10300CB600AA0&lang=en)



last modified:

09.03.2015