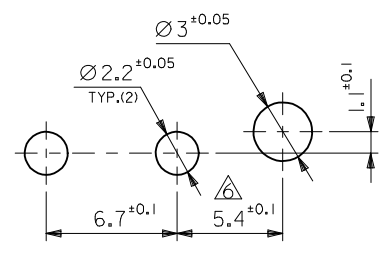
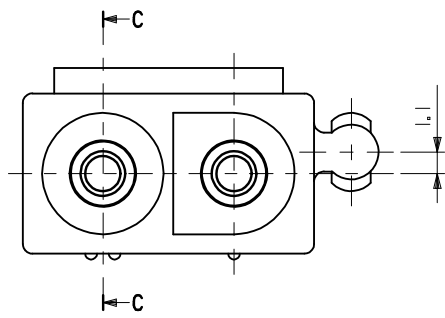
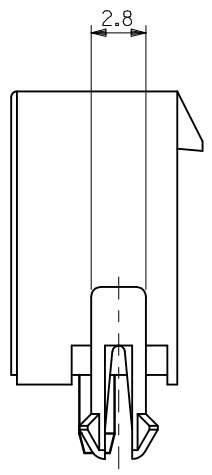
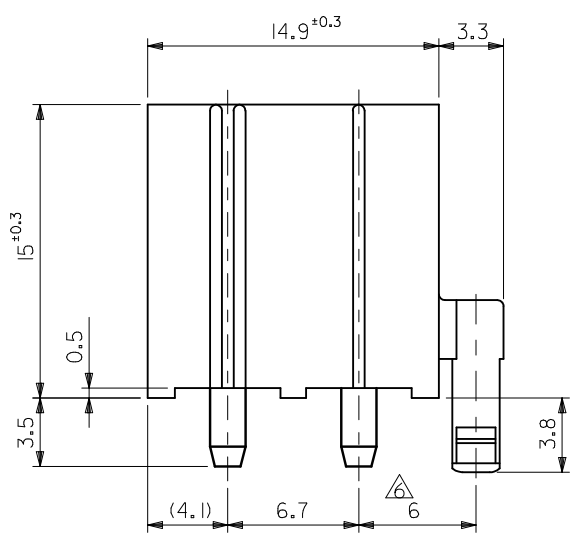
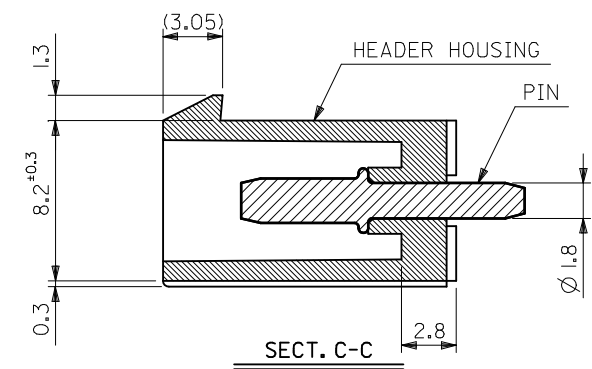


10 9 8 7 6 5 4 3 2 1



RECOMMENDED P.C.BOARD HOLE DIM.



NOTES:

- 1) MATERIAL:
 HOUSING: "BLANK" = NYLON 6/6, UL94V-2, COLOR: NATURAL
 "201" = NYLON 6/6, UL94V-0, COLOR: NATURAL
 TERMINAL: C2700W BRASS
- 2) FINISH: 0.000003/(.0000001) MIN. TIN OVERALL OVER
 0.000001/(.00000004) MIN. NICKEL OVERALL
- 3) PRODUCT SPECIFICATION: NONE
- 4) PACKAGING: NONE
- 5) MATES WITH: 3191-02R SERIES
 DIFFERENCE OF DIMENSION TO PREVENT RISE FROM P.C.B.
- 7) PARTS CONFORM TO CLASS 'B' REQUIREMENTS OF COSMETIC SPECIFICATION PS-45499-002.

2	39-28-7028	5219-02A-201
	15-31-1026	5219-02A
CIRCUITS	EDP.NO.	ENG.NO.

SCALE ---	DESIGN UNITS METRIC	THIRD ANGLE PROJECTION
TITLE NEW INTERNATIONAL CONN. HEADER AND ASSY		

MOLEX INCORPORATED	
DOCUMENT NO. SD-5219-02A*-*	SHEET NO. 1 OF 1

REMOVED DIMENSION EC NO: UCP2009-2076 DRWN:TRBENES 2009/02/24 CHKD:AEHLHAG 2009/03/13 APPR:FSMITH 2009/04/15	QUALITY SYMBOLS ▽=0 ▽=0	GENERAL TOLERANCES (UNLESS SPECIFIED)	DIMENSION STYLE MM ONLY		
	DESCRIPTION N1	mm	INCH	DRAWN BY DATE H.HASEGAWA 1994/10/26	
		4 PLACES	± ---	± ---	CHECKED BY DATE H.HIRAMOTO 1996/02/26
		3 PLACES	± ---	± .005	APPROVED BY DATE M.FUKUSHIMA 1996/02/26
		2 PLACES	± 0.13	± .010	MATERIAL NO.
1 PLACE	± 0.25	± ---			
		ANGULAR ± 1 °			
		DRAFT WHERE APPLICABLE MUST REMAIN WITHIN DIMENSIONS	SEE CHART		

9 8 7 6 5 4 3 2 1