

PLEASE CHECK WWW.MOLEX.COM FOR LATEST PART INFORMATION

Part Number: **130013-0216**
Status: **Active**
Overview: Brad® Mini-Change® Connectors
Description: Mini-Change® A-Size Receptacle with 16 AWG Leads, 3 Poles, 1/2" NPT Threads, Male (Straight) to Pigtail, 1.83m (6.0') Length

Documents:

[Drawing \(PDF\)](#) [RoHS Certificate of Compliance \(PDF\)](#)

Agency Certification

CSA LR6837
 UL E258922

General

Product Family Industrial Cordsets
 Series 130013
 Connector End A Mini-Change®
 Connector End B Pigtail
 IP Rating IP67
 Overview Brad® Mini-Change® Connectors
 Product Name Mini-Change®
 Protocol N/A
 Region America, Asia, Europe
 Type Single Ended
 UPC 78678851682

Physical

Cable Diameter N/A
 Cable Length 1.83m (6.0')
 Color - Cable Jacket N/A
 Coupling Style Threaded
 Gender Male-Pigtail
 Keyway Single
 LED Indicator No
 Material - Cable Jacket PVC
 Material - Connector Body Stainless Steel
 Material - Contact Brass
 Material - Coupling Nut Anodized Aluminum
 Material - Plating Mating Gold
 Net Weight 5.210/g
 Orientation Straight
 Poles 3
 Temperature Range - Operating -20°C to +105°C
 Wire Size AWG 16
 Wire/Cable Type UL 1015

Electrical

Current - Maximum per Contact 13A
 Voltage - Maximum 600V

Material Info

Old Part Number 1R3006A20F0601

Reference - Drawing Numbers

Sales Drawing SD-130013-040

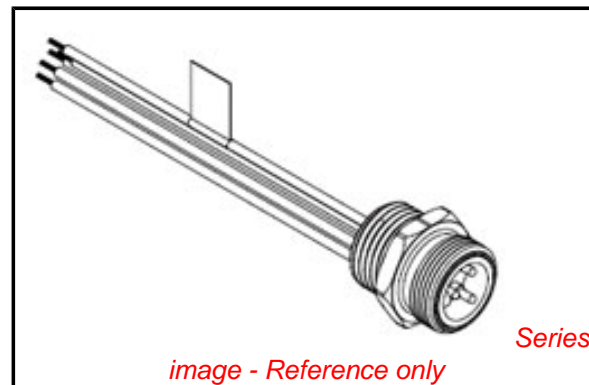


image - Reference only

EU RoHS

RoHS Compliant by Exemption

REACH SVHC

Not Reviewed

Low-Halogen Status

Not Reviewed

China RoHS



Need more information on product environmental compliance?

Email productcompliance@molex.com
 For a multiple part number RoHS Certificate of Compliance, [click here](#)

Please visit the [Contact Us](#) section for any non-product compliance questions.

Search Parts in this Series

130013Series

This document was generated on 10/13/2014

PLEASE CHECK WWW.MOLEX.COM FOR LATEST PART INFORMATION