

Datasheet

RS Coaxial Cable, Black LSZH Sheath, 100m, RG179PE, 2.6mm OD

Stock number: 665-5899



Product Description

Application:

For communication and signal control systems.

Reference Standard

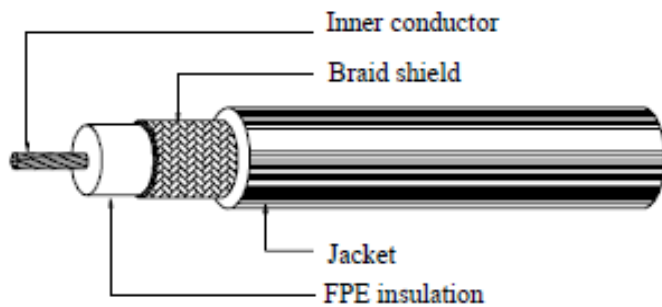
Customer's sample spec.and the general standard

Muli-construction

1

Cable Construction

Conductor	Tinned Copper
Construction	T0.36±0.008
Standard Dia. (mm)	0.36
Insulation Layer	Foam - Skin
Thickness(mm)	0.62
Insulation Dia. (±0.1mm)	1.60
Insulation Color	Nature
Braiding(mm)	SPCCS
Construction	T0.10±0.008×16×6
Braid Coverage(%)	95%
Jacket	LSZH
Thickness(mm)	0.25
Dia.(±0.15mm)	2.60
Jacket Color :	Black



Electrical Characteristics

Max.Conductor DC Resistance at 20 °C (Ω /Km)	<186
Min.Insulation DC Resistance at 20 °C (M Ω *Km)	>100
Rated Temperature(°C)	80
Rated Voltage(V)	30
Capacitance(pF/m)	54±5
Velocity ratio (%)	80%
Impedance(Ω)	75±3
Attenuation at 20 °C (-dB/100m) (±8%)	
10MHz	6.00
100MHz	19.50
200MHz	28.00