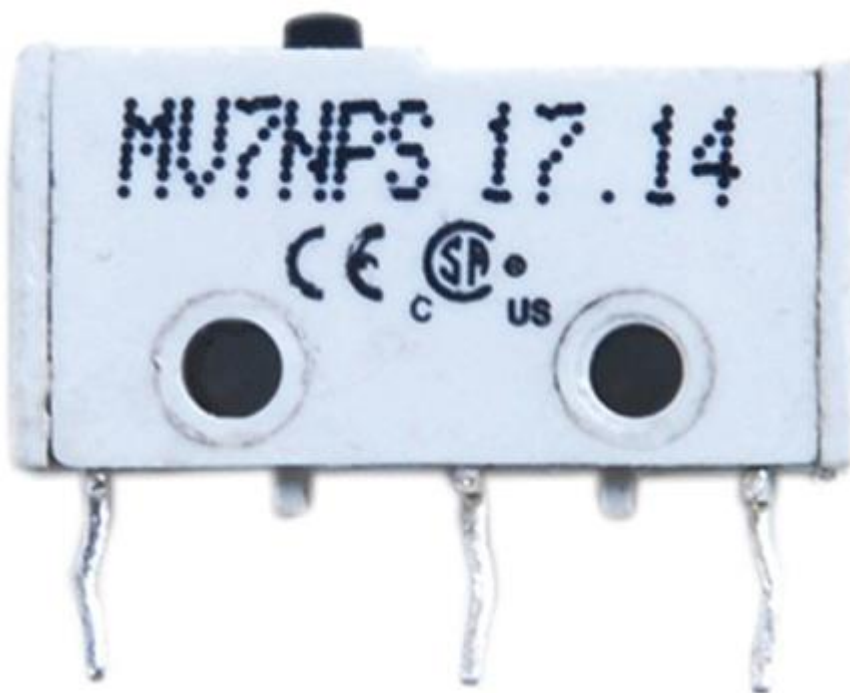


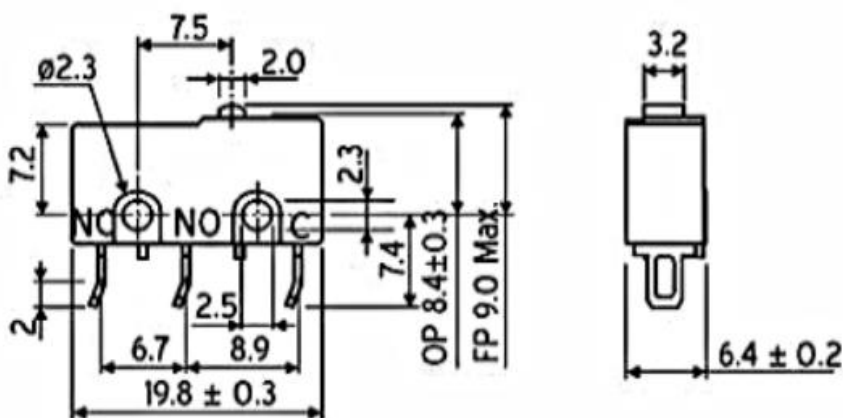
Datasheet

SP Plunger Microswitch, 2 A@ 250 V ac

RS Stock 804-6269



Dimensions: (mm)



-
- Characteristics
- Designed for applications where low operating force is required.
 - Single pole changeover.
 - Fine silver contacts.
 - High precision snap action mechanism.
 - Moulded from flame retardant thermoplastic (UL94V-O)
 - Long mechanical & electrical life.
 - Solder or PC board terminals.
 - Silver / Gold plated terminals.
 - Conform to IEC 1058-1 standard.
-



Approval



Actuating force	100 gms. (max.)
Release force	15 gms. (min.)
Pretravel	0.6 mm. (max.)
Overtravel	0.4 mm.
Movement differential	0.10 mm. (max.)
Salient features	Plain plunger actuator solder terminals.

ELECTRICAL RATINGS

Load	Ratings
AC	5 A at 250V 2 A at 250V (for low force models.)
DC (resistive)	0.5 A at 125V or 0.25 A at 250V. 0.25A at 125V and 250V (for low force models.)
DC (inductive)	0.06 A at 110V & 0.03 A at 250V. 0.03 A at 110V and 0.02A at 250V (for low force models.)