

## RF-17P1N8AAD00

Order No.: 1607328

The figure shows the 12-pos. product version



### Commercial data

EAN	4046356175029
Pack	16 pcs.
Customs tariff	85366990
Weight/Piece	0.13196 KG
Catalog page information	Page 55 (PC-2009)

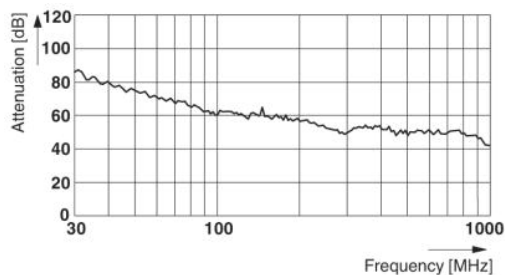
### Product notes

WEEE/RoHS-compliant since:  
01/01/2003

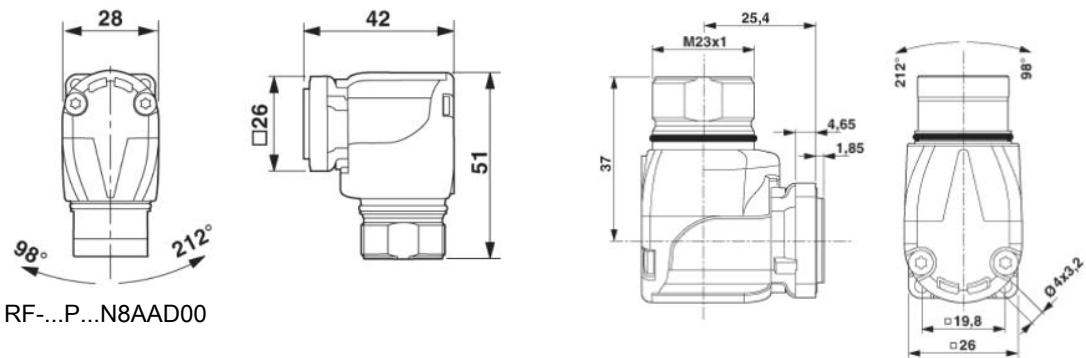
<http://www.download.phoenixcontact.com>  
Please note that the data given here has been taken from the online catalog. For comprehensive information and data, please refer to the user documentation. The General Terms and Conditions of Use apply to Internet downloads.

### Diagrams/Drawings

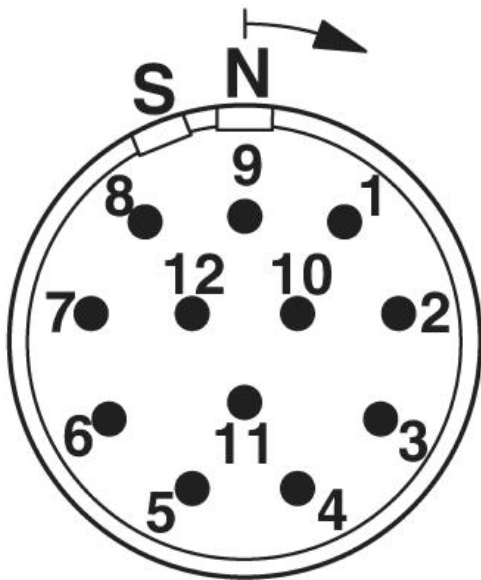
#### Diagram



Dimensioned drawing



Schematic diagram



---

**Address**

PHOENIX CONTACT Inc., USA  
586 Fulling Mill Road  
Middletown, PA 17057, USA  
Phone (800) 888-7388  
Fax (717) 944-1625  
<http://www.phoenixcon.com>



© 2010 Phoenix Contact  
Technical modifications reserved;