

# DATASHEET

**ITEM: 39368**

**WHEEL U 110X30/40 BB FIXED M22**

## WHEEL SERIE

Monolithic aluminium wheels, suitable for high temp applications; available with ball bearings.

Wheel fitted with ball bearings.

## FORK DESCRIPTION

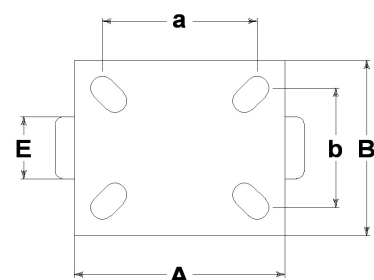
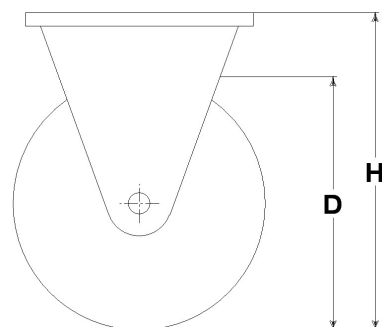
M22 series, Medium-light pressed steel fork assemblies, zincplated.

## TECHNICAL DETAILS

Wheel diameter	(D)	110 mm
Tyre width	(E)	30 mm
Tyre width	(E)	15 mm
Reference weight		0,342 kg
Overall height	(H)	133 mm
Top plate outer dimensions	(AxB)	102x83 mm
Bolt hole spacing	(axb)	76x55 mm
Bolt hole spacing	(axb)	80x60 mm
Fixing bolt diameter	(g)	8 mm
Fork width	(U)	40 mm
Load capacity		120 kg

Possible options :

Wheel replacement 39018 CC



### GENERAL INFORMATION / RECOMMENDATIONS AND WARNINGS

The cited text and the complete catalogue in their most up-dated versions are available in our web-site [www.lagspa.eu/web/downloads](http://www.lagspa.eu/web/downloads). The dimensions, descriptions, specifications and illustrations herein are indicative and subject to variations without notice. The fact that products are illustrated herein does not necessarily imply they are available from stock nor does it place us under any obligation to supply them. Tests carried out refer to the original products with original accessories: the replacement of one of the components with others of different manufacture might prevent the same results from being achieved and will automatically invalidate any guarantee. Please contact our technical service concerning any special application.