

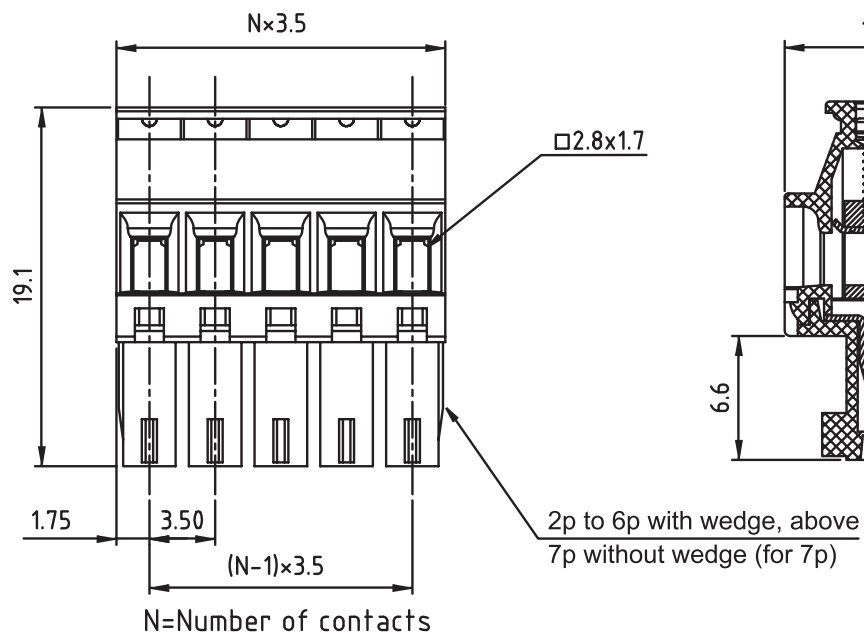
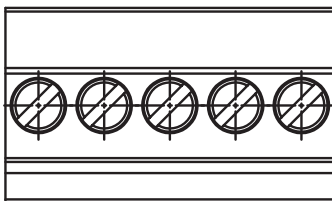
1

2

3

4

5



TECHNICAL CHARACTERISTICS

MATERIAL
 INSULATOR: PA 66
 FLAMABILITY RATING: UL94-V0
 COLOR: GREEN
 METAL HOUSING: BRASS (CuZn)
 TERMINAL SCREW: STEEL ZINC PLATING
 TERMINAL SCREW SLOT TYPE: "-"
 WIRE GUARD: PhBz TIN PLATED

ENVIRONMENTAL
 OPERATING TEMPERATURE: -40 UP TO 105°C
 COMPLIANCE: LEAD FREE AND ROHS

ELECTRICAL	cULus	VDE
CURRENT RATING:	8A	10A
WORKING VOLTAGE:	300VAC	300VAC
WITHSTANDING VOLTAGE:	1.6KV	2.5KV
CONTACT RESISTANCE:	□	20 mOhm max

MECHANICAL	
SOLID WIRE:	28-16 AWG / 0.08-1.5MM ²
STRANDED WIRE:	28-16 AWG / 0.08-1.5MM ²
TORQUE: □ □	□ 1.7Lb-In / 0.2Nm

WIRE STRIPE LENGTH: 6-7MM
 SCREW: M2.0
 PITCH: 3.5MM

PACKAGING: BOX

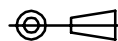
SERIE 3631

CERTIFICATION



RoHS Compliant

PROJECTION:



GENERAL TOLERANCE

.X = +/- 0.2

.XX = +/- 0.15



APPROVAL: RJ

UNIT: MM

SCALE:

SHEET: 1/1

DRAW: MARVIN

DESCRIPTION: SERIE 3631 - 3.50MM HORIZONTAL CABLE ENTRY PLUG WITH HOOK ON WIRE SIDE -1.5MM² WIRES WR-TBL

WERI PART NO: 691 363 110 0xx

SIZE

A4

G			
F			
E			
D			
C			
B			
A □	31-OCT-08 □	PDF □ □	JP
REV	DATE	FILE	BY