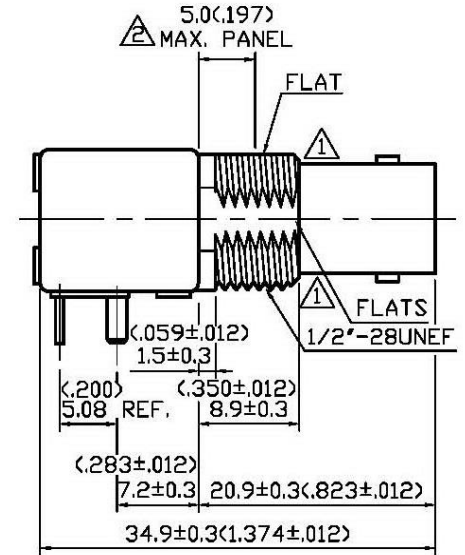
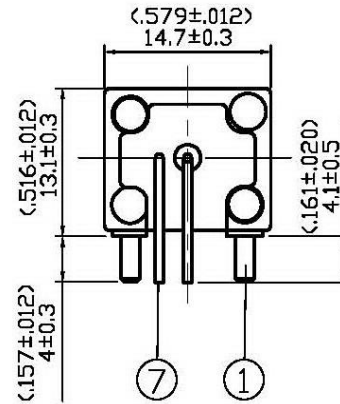
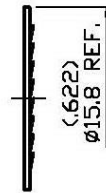
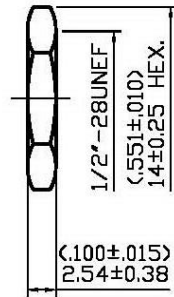
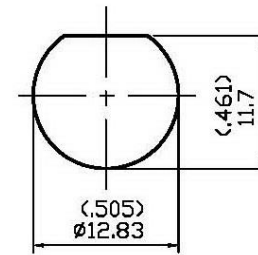


NO	DESCRIPTION	DATE
△	ADD CHAMFER COPPER WIRE → COPPER PLATED STEEL	02.13.12'
△	ADD 5.0 MAX. PANEL	11.08.13'

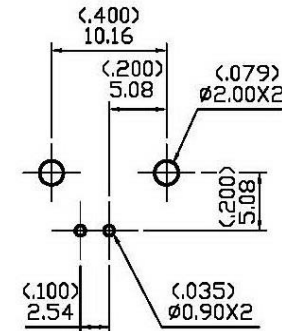


SPECIFICATIONS:  
 MECHANICAL CHARACTERISTICS:  
 MATING/UNMATING--500 CYCLES  
 ELECTRICAL CHARACTERISTICS:  
 NORMAL IMPEDANCE-- 75 OHMS  
 FREQUENCY RANGE-- 0-1 GHz  
 TESTING VOLTAGE-- 500 VOLTS RMS  
 DIELECTRIC WITHSTANDING VOLTAGE-- 1500 VOLTS RMS  
 INSULATION RESISTANCE-- 5000 MEGOHMS MIN.  
 ENVIRONMENTAL CHARACTERISTICS:  
 TEMPERATURE RANGE-- -40° C TO +60° C  
 THERMAL SHOCK-- MIL-STD-202,METHOD 107,COND.B.  
 PHYSICAL SHOCK-- MIL-STD-202,METHOD 204,COND.B.

11/08/2013



MOUNTING HOLE



RECOMMEND PCB LAYOUT



APPROVED

by \_\_\_\_\_ DATE: \_\_\_\_\_

NO	DESCRIPTION	MATERIAL	Q'TY	FINISH
7	SOLDER PIN	COPPER PLATED STEEL	1	TIN
6	CENTER CONTACT	PHOSPHOR BRONZE WITH GOLD PLATING AT CONTACT AREA TIN PLATING AT TAIL	1	GOLD TIN
5	INSULATION	POLYPROPYLENE UL 94HB	1	NONE
4	LOCK WASHER	S50C	1	NICKEL
3	NUT	BRASS	1	NICKEL
2	BODY	ZINC ALLOY	1	NICKEL
1	MOUNTING POST	BRASS	2	TIN

DESCRIPTION		BNC RIGHT ANGLE PCB MOUNT JACK RECEPTACLE(METAL HOUSING)			
製圖	DRAWN <i>Kristina</i>	TOLERANCE .X ±0.2	品名 13-60-6 D.G.Z	日期 10.16.96'	版次 C-2
檢圖	CHECK <i>Ivan</i>	.XX ±0.1	TITLE ROHS COMPLIANT (<750)	DWG.NO. 13-0393	
認定	APPROVAL <i>Angela</i>	.XXX ±0.05	單位 mm(in)	SCALE 2:1	
	ANGLE ±5°	比例			