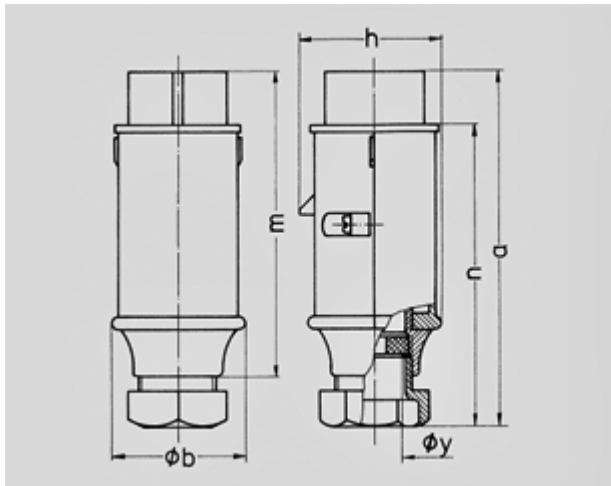


Plug - Part no. 662A


- screw terminals
- with cable gland

Protection type	IP 44
Ampere	16 A
Poles	3p
Voltage	20-25
Hertz	50-60Hz
Earth position	0h
Contact	standard
Connection technology	Screw terminals

Std. Pack. 10 Qty.



Drawing	Amp.	16		32	
		2	3	2	3
2 MB 158	Poles				
Dim. in mm	a	150	150	150	150
	b	55	55	55	55
	h	58	58	58	58
	m	128	128	128	128
	n	130	130	130	130
	y	24,7	24,7	24,7	24,7
Terminal for cond. cross		4	4	4	4
section (mm ²) min.-max.		-10	-10	-10	-10