

Welcome to BOPLA City!



ALUSTYLE



A Phoenix Mecano Company

SYSTEM SOLUTIONS

Do you need a complete production run from one source? We are the professional partner you can rely on when it comes to developing system solutions. You, the customer, can take advantage of our many years of experience in designing and manufacturing enclosure systems, membrane keypads, electronic modules and all-in system solutions.



System solutions

Using only state-of-the-art production facilities and operating on the basis of highly-efficient teamwork, we process our enclosures according to the customer's exact specifications.

This service includes the usual mechanical processes such as lathing, drilling, milling and grinding. We also take care of (i) terminal insertion, (ii) equipment with PG or metric cable glands, and (iii) assembly of all the electronic elements. Personalised printing as well as front membranes and membrane keypads can be applied and fitted to the enclosure.

Service

Our highly-qualified and motivated employees are always ready to develop and produce electronic modules, terminals and systems which are tailored to meet your special requirements.

Production capability ranges from the insertion, soldering and testing of the PCBs through to the actual assembly of the modules. If required, we can also seal the PCBs and provide the appropriate ESD packaging for transport purposes.

Electronics

The modern systems of today require professional input devices at the all-important interface between human operator and machine.

Designing keypads which are both functional and attractive is what we do every day. Individual customised solutions are a special feature of our work. Any new developments introduced are all based on everyday practice and are the result of constructive and ongoing dialogue with our customers.

Keypads

Whether working on a standard solution or one specified by the customer, we develop the complete enclosure in full consultation with you, the customer.

BOPLA enclosures protect the valuable components against damage and, thanks to a neutral but aesthetically pleasing design, have an attractive and recognisable look.

Enclosures

MEMBRANE KEYPADS

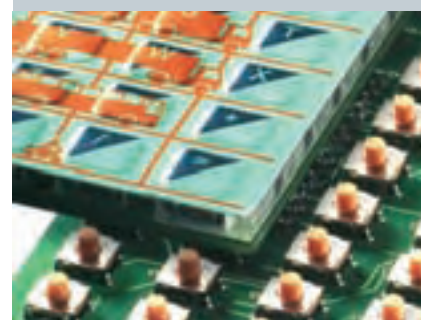
Customer-specific input systems

No matter what size, colour or design — our membrane keypads are manufactured to our customers' exact specifications. Matt, satin-frosted or lustrous front membrane? With or without a clear screen? With or without tactile action point? You choose and, depending on the model, it comes with a safety chamber for each individual snap dome. This prevents the metal domes from slipping, so improving quality considerably. By the way: we also develop and produce input units with short-stroke keys and corresponding front membranes.



Keypads with integrated electronics

The input unit (the membrane keypad or the short-stroke keys) and the matching electronics are on the same carrier — without any fault-prone and expensive plug-in connectors. Here, too, the customer decides whether the carrier is to consist of a single PCB (FR4 etc.) of different thicknesses or of a flexible membrane. One important advantage is that electronic modules can be SMD-inserted, soldered and plated-through without risk to the process as a whole. This means that they do not have to be glued in, as is usually the case with conductive silver applications. Even with maximum packing density, the modules easily adapt to the enclosure geometry.



ProfiLine technology

With ProfiLine, our latest membrane keypad, the user gets much more than just an input element. Made of deep-drawn acrylic glass, the keys ensure enhanced tactile contact. Plus, there are no limits to individual key design.



Keypads for use in the dark

In the past, if you also wanted to use keypads in the dark, then you often had to accept a compromise. For example, LEDs only produce a point of light, and the well-known problems of using an integrated EL membrane (short operating life, low level of mechanical stability, high cost, EMC problems) mean that they are too complicated and unreliable in use. Our new back-lit ProfiLine technology offers an effective solution to this problem. The light passes through a hole in a special snap dome into the integrated acrylic inlay, where it is distributed as required. The optimised pressure point functions exactly as before, and the keys can even light up individually.



ALUSTYLE



The universal concept for mobile and stationary applications

With ALUSTYLE, BOPLA introduces a new profile enclosure whose remarkable technology offers the user almost unlimited possibilities. As a further visual and technical development of the popular ALUBOS series of enclosures, and in addition to its many technical advantages, ALUSTYLE stands out because of the innovative concept of accessories. The trapezoidal profiles mean that ALUSTYLE can be used in more situations than ALUBOS and is suitable for installation as a hand-held, wall, desktop and front panel enclosure and also as an operating panel.

ALUSTYLE is available in four basic sizes, and the profile construction makes its length variable. Two different types of die-cast lids and also a design lid are used as profile ends. The end lids have space for a front membrane and also installation space for protected connectors. The seal between the profiles provides a maximum ingress protection of IP 67, and also has a non-slip function.

Enclosure material: Extruded profile: Al Mg Si0.5
Die-cast lid: Zinc alloy Z 410
Sealing material: TPE (-30°C to +85°C)

Colours: Profiles: graphite grey (similar to RAL 7024) and silver (similar to RAL 9006), powder-coated
Lid: graphite grey (similar to RAL 7024) and silver (similar to RAL 9006), powder-coated
Seal: dark grey

Ingress protection: Used with ASP = up to IP 66 / IP 67* / DIN EN 60529
Used with ASPH = IP 65 / DIN EN 60529
Used with ASPU = IP 40 / DIN EN 60529

* when used with ASD

Accessories (additional price):

- Coloured decor strips
- Coloured seals
- Set-up foot
- Wall fitting (for AS 830, 1030 and 1230)
- Tower foot (for AS 830, 1030 and 1230)
- Impact protection seal (for ASD 830, 1030 and 1230)
- Design lid (for AS 1230)

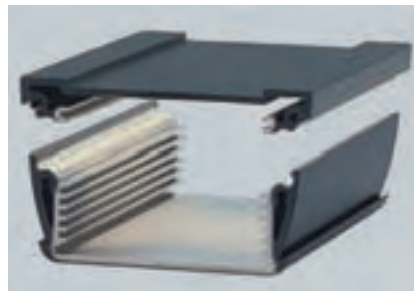
External dimensions of profile:

Model	W	H
AS 830	74,0	32,8
AS 1030	98,5	32,8
AS 1230	121,0	32,8
AS 1850	187,0	54,6

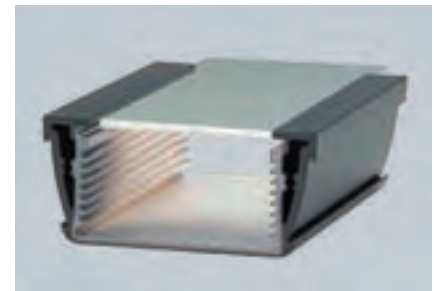
The special features of ALUSTYLE at a glance:



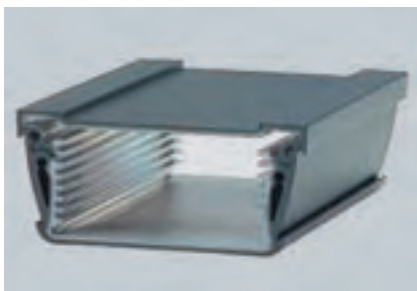
System grooves on the long sides and encapsulated screw channel outside the seal section



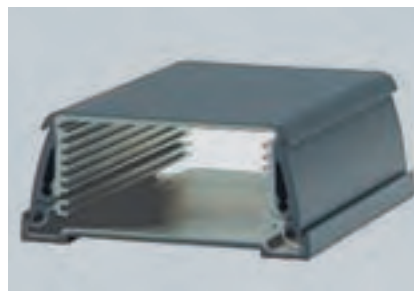
Split profile variant for better and easier assembly of electronics and other components



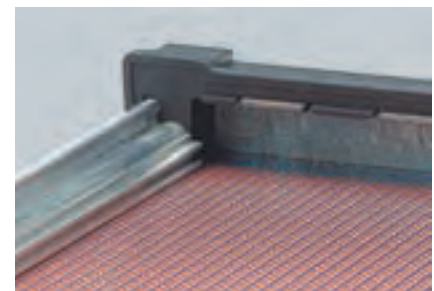
Profile for front panels for better and easier assembly of the electronics and direct PCB assembly



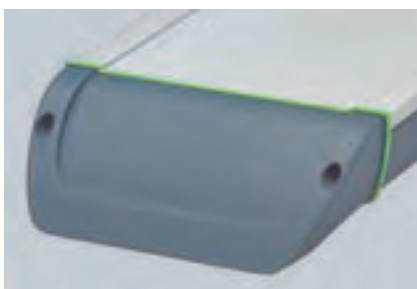
Trapezoid-shaped profile with 2 mm membrane area (for ProfiLine membrane keypad)



Trapezoid-shaped profile with a "smooth side" suitable for printing



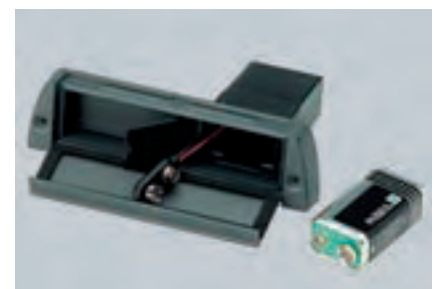
All PCBs have the same external dimensions and can be positioned up to the inner lid area.



Additional design lid for size AS 1230

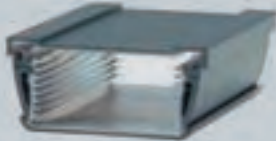


Impact protection seal for sizes AS 830, AS 1030 and AS 1230



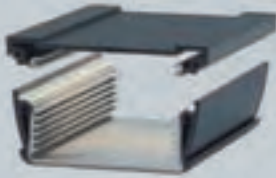
Battery compartment solution for all ASM lids

ALUSTYLE 830 – profiles and front panels



Profile, closed

The profiles are equipped with 7 grooves to hold PCBs or mounting panels. All PCBs have the same external dimensions and can be positioned up to the inner lid surface without notches. On the top there is a recessed area for the fitting of membrane keypads. The underside is smooth.



Profile, split

In comparison with the closed profile, this horizontally split version permits the fitting of elements which project through the keypad area. Both profiles are held together by a tried-and-tested snap-lock connection. The design is identical to that of the closed version.



Profile, for front panel

This version, which is open on one side, permits the use of front panels in a wide range of materials or pre-assembled PCBs as an operating front.

Profiles, closed

Order designation

Model	Order no.	L	W	H	Note	Protection
ASP 830-0100	94112100	100	74	32,8	Profile, closed, graphite grey	up to IP 65 /IP 67*
ASP 830-0100	94111100	100	74	32,8	Profile, closed, silver	up to IP 65 /IP 67*
ASP 830-0150	94112150	150	74	32,8	Profile, closed, graphite grey	up to IP 65 /IP 67*
ASP 830-0150	94111150	150	74	32,8	Profile, closed, silver	up to IP 65 /IP 67*
ASP 830-0200	94112200	200	74	32,8	Profile, closed, graphite grey	up to IP 65 /IP 67*
ASP 830-0200	94111200	200	74	32,8	Profile, closed, silver	up to IP 65 /IP 67*
ASP 830-1000	94112000	1000	74	32,8	Profile, closed, graphite grey	up to IP 65 /IP 67*
ASP 830-1000	94111000	1000	74	32,8	Profile, closed, silver	up to IP 65 /IP 67*

* when used with ASD

Scope of delivery:
Enclosure profile

Special lengths on request

Profiles, horizontally split

Order designation

Model	Order no.	L	W	H	Note	Protection
ASPH 830-0100	94212100	100	74	32,8	Profile, split, graphite grey	IP 65
ASPH 830-0100	94211100	100	74	32,8	Profile, split, silver	IP 65
ASPH 830-0150	94212150	150	74	32,8	Profile, split, graphite grey	IP 65
ASPH 830-0150	94211150	150	74	32,8	Profile, split, silver	IP 65
ASPH 830-0200	94212200	200	74	32,8	Profile, split, graphite grey	IP 65
ASPH 830-0200	94211200	200	74	32,8	Profile, split, silver	IP 65
ASPH 830-1000	94212000	1000	74	32,8	Profile, split, graphite grey	IP 65
ASPH 830-1000	94211000	1000	74	32,8	Profile, split, silver	IP 65

Scope of delivery:
Enclosure profile, two parts,
incl. fitted sponge cord

Special lengths on request

Profiles, open on one side

Order designation

Model	Order no.	L	W	H	Note	Protection
ASPU 830-0100	94312100	100	74	32,8	Profile, for front panel, graphite grey	IP 40
ASPU 830-0100	94311100	100	74	32,8	Profile, for front panel, silver	IP 40
ASPU 830-0150	94312150	150	74	32,8	Profile, for front panel, graphite grey	IP 40
ASPU 830-0150	94311150	150	74	32,8	Profile, for front panel, silver	IP 40
ASPU 830-0200	94312200	200	74	32,8	Profile, for front panel, graphite grey	IP 40
ASPU 830-0200	94311200	200	74	32,8	Profile, for front panel, silver	IP 40
ASPU 830-1000	94312000	1000	74	32,8	Profile, for front panel, graphite grey	IP 40
ASPU 830-1000	94311000	1000	74	32,8	Profile, for front panel, silver	IP 40

Scope of delivery:
Enclosure profile
Please order front panels for ASPU separately

Special lengths on request

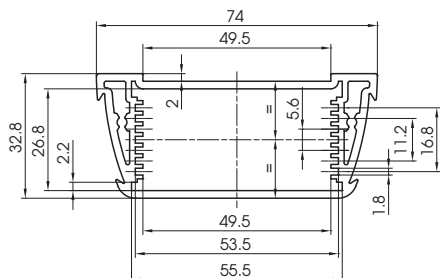
Front panels for ASPU

Order designation

Model	Order no.	L	W	T
ASPU 830-0100 FP2	94310100	100	56,5	2
ASPU 830-0150 FP2	94310150	150	56,5	2
ASPU 830-0200 FP2	94310200	200	56,5	2
ASPU 830-1000 FP2	94310000	1000	56,5	2

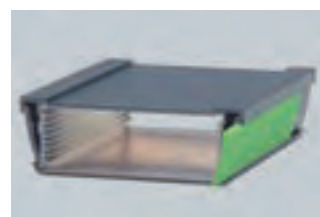
Scope of delivery:
Front panel, anodised aluminium

ASP 830

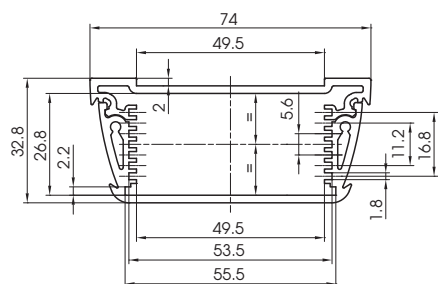


Z-2802944

Accessories starting on page 22



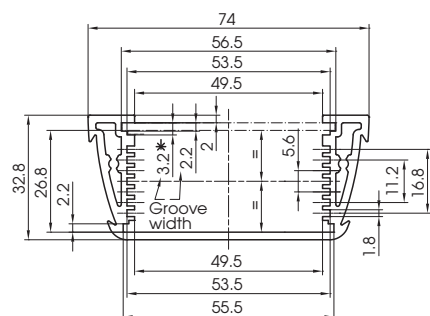
ASPH 830



Z-2802945

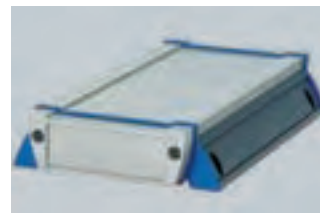


ASPU 830



* If a 3 mm front panel is used, it must be milled down to 2 mm in the area of the lid contact lugs.

Z-2802946



ALUSTYLE 830 – lids and seals



End lid ASD...

The end lids are equipped with a 2 mm recessed area for fitting front membranes or membrane keypads. All lids are fitted with contact areas which contact the lid to the profile. This guarantees good EMC protection even with the standard enclosure. Black EMC seals made of metal-filled material are available for increased EMC resistance.



Mounting lid ASM...AL

The mounting lid has a recessed mounting area for fitting various connectors and sockets. An aluminium cap with a seal is snapped-on to achieve IP 65 protection of the assembly section.



Mounting lid ASM...SAL

Identical to ASM...AL (removable cap), but with hinged aluminium flap.
 ASM SAL1 = hinged side = membrane area
 ASM SAL2 = hinged side = smooth side



Seals AS...DI...

A dark grey seal is included with the lids as standard. We also supply coloured seals and an EMC seal.

End lid

Order designation

Model	Order no.	Note	Protection
ASD 830-7024	94412100	End lid, graphite grey	IP 65 / IP 66* / IP 67*
ASD 830-9006	94411100	End lid, silver	IP 65 / IP 66* / IP 67*

* when used with ASP

Scope of delivery:

Lid incl. dark grey seal,
 screws,
 graphite grey screw covers

Mounting lid with removable aluminium cap

Order designation

Model	Order no.	Note	Protection
ASM 830 AL-7024	94412400	Mounting lid, aluminium cap, graphite grey	IP 65
ASM 830 AL-9006	94411400	Mounting lid, aluminium cap, silver	IP 65

Scope of delivery:

Lid, complete, incl. dark grey seal,
 screws,
 graphite grey screw covers

Mounting lid with hinged aluminium flap

Order designation

Model	Order no.	Note	Protection
ASM 830 SAL 1-7024	94412200	Mounting lid, aluminium hinged flap, graphite grey, hinged side = membrane side	IP 65
ASM 830 SAL 1-9006	94411200	Mounting lid, aluminium hinged flap, silver, hinged side = membrane side	IP 65
ASM 830 SAL 2-7024	94412300	Mounting lid, aluminium hinged flap, graphite grey, hinged side = smooth side	IP 65
ASM 830 SAL 2-9006	94411300	Mounting lid, aluminium hinged flap, silver, hinged side = smooth side	IP 65

Scope of delivery:

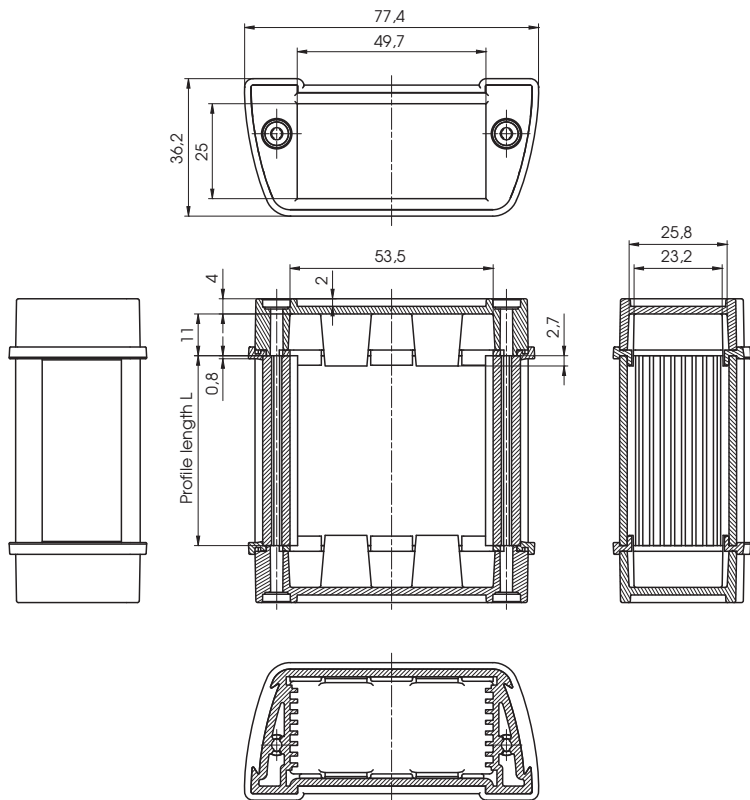
Lid, complete, incl. dark grey seal,
 screws,
 graphite grey screw covers

Seals

Order designation

Model	Order no.	Note
AS 830 DI-green	94513000	Seal, green, PU = 10 pcs
AS 830 DI-red	94515000	Seal, red, PU = 10 pcs
AS 830 DI-blue	94514000	Seal, blue, PU = 10 pcs
AS 830 DI-orange	94516000	Seal, orange, PU = 10 pcs
AS 830 DI-EMC	94518100	EMC seal, black, PU = 10 pcs

ASD 830

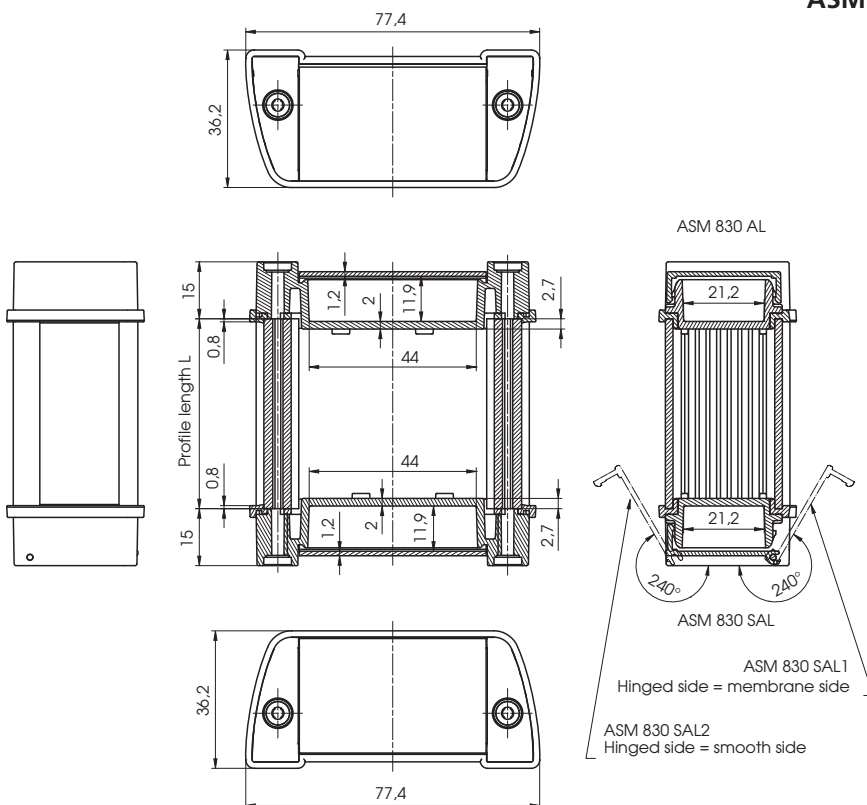


Z-2802947

ASM 830



ASM 830-BE
available on request
(see also page 24)



Z-2802951

ALUSTYLE 1030 – profiles and front panels



Profile, closed

The profiles are equipped with 7 grooves to hold PCBs or mounting panels. All PCBs have the same external dimensions and can be positioned up to the inner lid surface without notches. On the top there is a recessed area for the fitting of membrane keypads. The underside is smooth.



Profile, split

In comparison with the closed profile, this horizontally split version permits the fitting of elements which project through the keypad area. Both profiles are held together by a tried-and-tested snap-lock connection. The design is identical to that of the closed version.



Profile, for front panel

This version, which is open on one side, permits the use of front panels in a wide range of materials or pre-assembled PCBs as an operating front.

Profiles, closed

Order designation

Model	Order no.	L	W	H	Note	Protection
ASP 1030-0100	94122100	100	98,5	32,8	Profile, closed, graphite grey	up to IP 66 / IP 67*
ASP 1030-0100	94121100	100	98,5	32,8	Profile, closed, silver	up to IP 66 / IP 67*
ASP 1030-0150	94122150	150	98,5	32,8	Profile, closed, graphite grey	up to IP 66 / IP 67*
ASP 1030-0150	94121150	150	98,5	32,8	Profile, closed, silver	up to IP 66 / IP 67*
ASP 1030-0200	94122200	200	98,5	32,8	Profile, closed, graphite grey	up to IP 66 / IP 67*
ASP 1030-0200	94121200	200	98,5	32,8	Profile, closed, silver	up to IP 66 / IP 67*
ASP 1030-1000	94122000	1000	98,5	32,8	Profile, closed, graphite grey	up to IP 66 / IP 67*
ASP 1030-1000	94121000	1000	98,5	32,8	Profile, closed, silver	up to IP 66 / IP 67*

* when used with ASD

Scope of delivery:
Enclosure profile

Special lengths on request

Profiles, horizontally split

Order designation

Model	Order no.	L	W	H	Note	Protection
ASPH 1030-0100	94222100	100	98,5	32,8	Profile, split, graphite grey	IP 65
ASPH 1030-0100	94221100	100	98,5	32,8	Profile, split, silver	IP 65
ASPH 1030-0150	94222150	150	98,5	32,8	Profile, split, graphite grey	IP 65
ASPH 1030-0150	94221150	150	98,5	32,8	Profile, split, silver	IP 65
ASPH 1030-0200	94222200	200	98,5	32,8	Profile, split, graphite grey	IP 65
ASPH 1030-0200	94221200	200	98,5	32,8	Profile, split, silver	IP 65
ASPH 1030-1000	94222000	1000	98,5	32,8	Profile, split, graphite grey	IP 65
ASPH 1030-1000	94221000	1000	98,5	32,8	Profile, split, silver	IP 65

Scope of delivery:
Enclosure profile, two parts,
incl. fitted sponge cord

Special lengths on request

Profiles, open on one side

Order designation

Model	Order no.	L	W	H	Note	Protection
ASPU 1030-0100	94322100	100	98,5	32,8	Profile, for front panel, graphite grey	IP 40
ASPU 1030-0100	94321100	100	98,5	32,8	Profile, for front panel, silver	IP 40
ASPU 1030-0150	94322150	150	98,5	32,8	Profile, for front panel, graphite grey	IP 40
ASPU 1030-0150	94321150	150	98,5	32,8	Profile, for front panel, silver	IP 40
ASPU 1030-0200	94322200	200	98,5	32,8	Profile, for front panel, graphite grey	IP 40
ASPU 1030-0200	94321200	200	98,5	32,8	Profile, for front panel, silver	IP 40
ASPU 1030-1000	94322000	1000	98,5	32,8	Profile, for front panel, graphite grey	IP 40
ASPU 1030-1000	94321000	1000	98,5	32,8	Profile, for front panel, silver	IP 40

Scope of delivery:
Enclosure profile
Please order front panels for ASPU separately

Special lengths on request

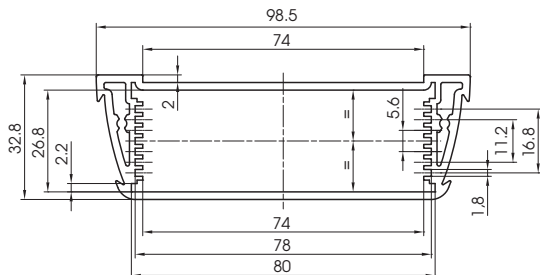
Front panels for ASPU

Order designation

Model	Order no.	L	W	T
ASPU 1030-0100 FP2	94320100	100	81	2
ASPU 1030-0150 FP2	94320150	150	81	2
ASPU 1030-0200 FP2	94320200	200	81	2
ASPU 1030-1000 FP2	94320000	1000	81	2

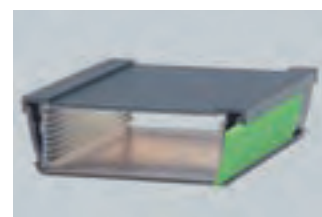
Scope of delivery:
Front panel, anodised aluminium

ASP 1030

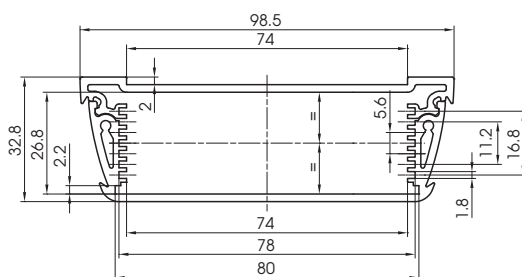


Z-2802944

Accessories starting on page 22



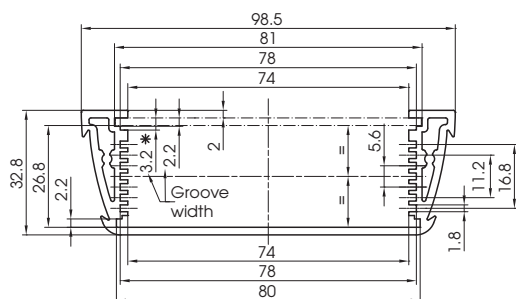
ASPH 1030



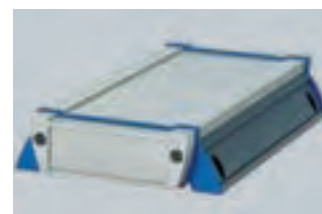
Z-2802945



ASPU 1030



Z-2802946



* If a 3 mm front panel is used, it must be milled down to 2 mm in the area of the lid contact lugs.

ALUSTYLE 1030 – lids and seals



End lid ASD...

The end lids are equipped with a 2 mm recessed area for fitting front membranes or membrane keypads. All lids are fitted with contact areas which contact the lid to the profile. This guarantees good EMC protection even with the standard enclosure. Black EMC seals made of metal-filled material are available for increased EMC resistance.



Mounting lid ASM...AL

The mounting lid has a recessed mounting area for fitting various connectors and sockets. An aluminium cap with a seal is snapped-on to achieve IP 65 protection of the assembly section.



Mounting lid ASM...SAL

Identical to ASM...AL (removable cap), but with hinged aluminium flap.
 ASM SAL1 = hinged side = membrane area
 ASM SAL2 = hinged side = smooth side



Seals AS...DI-...

A dark grey seal is included with the lids as standard. We also supply coloured seals and an EMC seal.

End lid

Order designation

Model	Order no.	Note	Protection
ASD 1030-7024	94422100	End lid, graphite grey	IP 65 / IP 66* / IP 67*
ASD 1030-9006	94421100	End lid, silver	IP 65 / IP 66* / IP 67*

* when used with ASP

Scope of delivery:

Lid incl. dark grey seal,
 screws,
 graphite grey screw covers

Mounting lid with removable aluminium cap

Order designation

Model	Order no.	Note	Protection
ASM 1030 AL-7024	94422400	Mounting lid, aluminium cap, graphite grey	IP 65
ASM 1030 AL-9006	94421400	Mounting lid, aluminium cap, silver	IP 65

Scope of delivery:

Lid, complete, incl. dark grey seal,
 screws,
 graphite grey screw covers

Mounting lid with hinged aluminium flap

Order designation

Model	Order no.	Note	Protection
ASM 1030 SAL 1-7024	94422200	Mounting lid, aluminium hinged flap, graphite grey, hinged side = membrane sid	IP 65
ASM 1030 SAL 1-9006	94421200	Mounting lid, aluminium hinged flap, silver, hinged side = membrane sid	IP 65
ASM 1030 SAL 2-7024	94422300	Mounting lid, aluminium hinged flap, graphite grey, hinged side = smooth side	IP 65
ASM 1030 SAL 2-9006	94421300	Mounting lid, aluminium hinged flap, silver, hinged side = smooth side	IP 65

Scope of delivery:

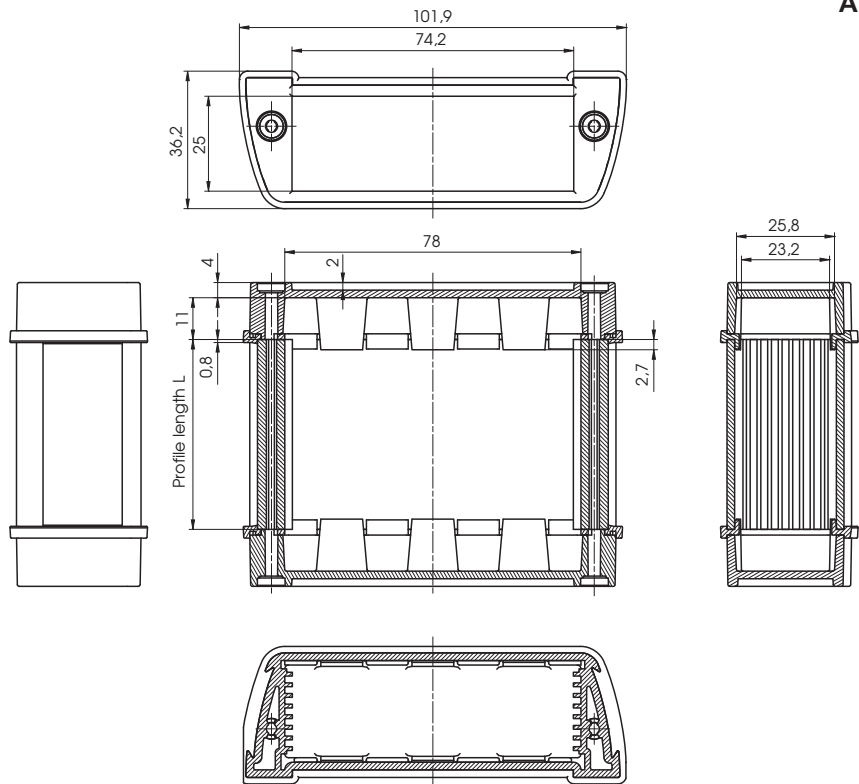
Lid, complete, incl. dark grey seal,
 screws,
 graphite grey screw covers

Seals

Order designation

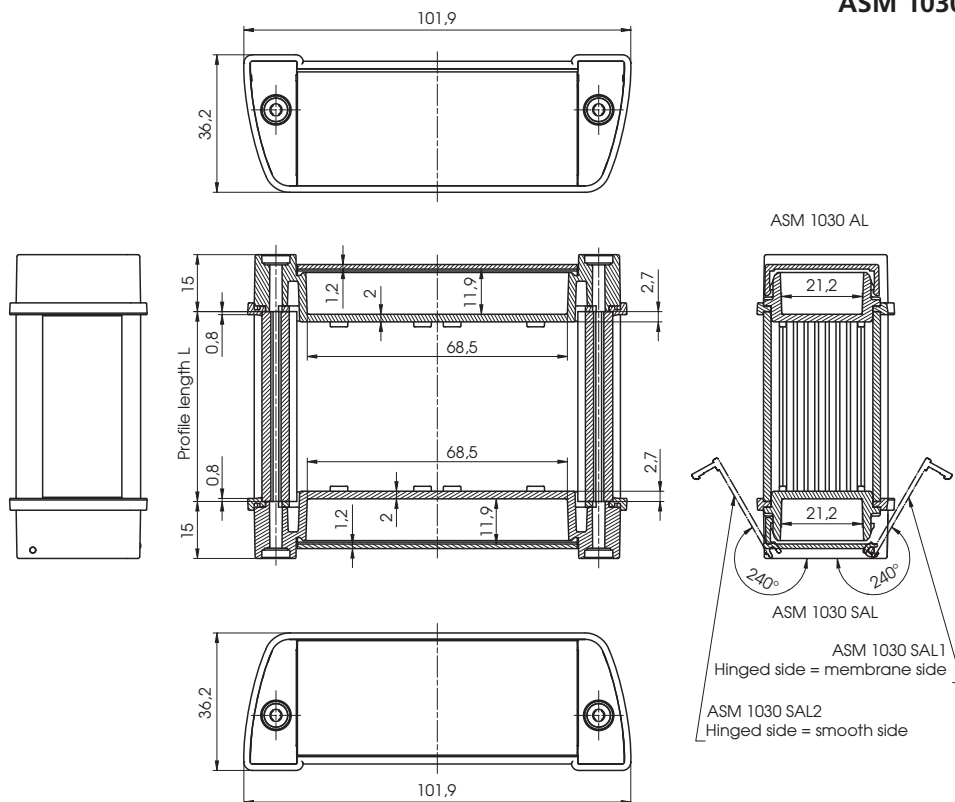
Model	Order no.	Note
AS 1030 DI-green	94523000	Seal, green, PU = 10 pcs
AS 1030 DI-red	94525000	Seal, red, PU = 10 pcs
AS 1030 DI-blue	94524000	Seal, blue, PU = 10 pcs
AS 1030 DI-orange	94526000	Seal, orange, PU = 10 pcs
AS 1030 DI-EMC	94528100	EMC seal, black, PU = 10 pcs

ASD 1030



Z-2802948

ASM 1030



Z-2802952



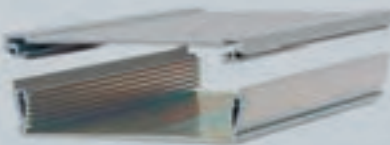
ASM 1030-BE
available on request
(see also page 24)

ALUSTYLE 1230 – profiles and front panels



Profile, closed

The profiles are equipped with 7 grooves to hold PCBs or mounting panels. All PCBs have the same external dimensions and can be positioned up to the inner lid surface without notches. On the top there is a recessed area for the fitting of membrane keypads. The underside is smooth.



Profile, split

In comparison with the closed profile, this horizontally split version permits the fitting of elements which project through the keypad area. Both profiles are held together by a tried-and-tested snap-lock connection. The design is identical to that of the closed version.



Profile, for front panel

This version, which is open on one side, permits the use of front panels in a wide range of materials or pre-assembled PCBs as an operating front.

Profiles, closed

Order designation

Model	Order no.	L	W	H	Note	Protection
ASP 1230-0100	94132100	100	121	32,8	Profile, closed, graphite grey	up to IP 66 / IP 67*
ASP 1230-0100	94131100	100	121	32,8	Profile, closed, silver	up to IP 66 / IP 67*
ASP 1230-0150	94132150	150	121	32,8	Profile, closed, graphite grey	up to IP 66 / IP 67*
ASP 1230-0150	94131150	150	121	32,8	Profile, closed, silver	up to IP 66 / IP 67*
ASP 1230-0200	94132200	200	121	32,8	Profile, closed, graphite grey	up to IP 66 / IP 67*
ASP 1230-0200	94131200	200	121	32,8	Profile, closed, silver	up to IP 66 / IP 67*
ASP 1230-1000	94132000	1000	121	32,8	Profile, closed, graphite grey	up to IP 66 / IP 67*
ASP 1230-1000	94131000	1000	121	32,8	Profile, closed, silver	up to IP 66 / IP 67*

* when used with ASD

Scope of delivery:
Enclosure profile

Special lengths on request

Profiles, horizontally split

Order designation

Model	Order no.	L	W	H	Note	Protection
ASPH 1230-0100	94232100	100	121	32,8	Profile, split, graphite grey	IP 65
ASPH 1230-0100	94231100	100	121	32,8	Profile, split, silver	IP 65
ASPH 1230-0150	94232150	150	121	32,8	Profile, split, graphite grey	IP 65
ASPH 1230-0150	94231150	150	121	32,8	Profile, split, silver	IP 65
ASPH 1230-0200	94232200	200	121	32,8	Profile, split, graphite grey	IP 65
ASPH 1230-0200	94231200	200	121	32,8	Profile, split, silver	IP 65
ASPH 1230-1000	94232000	1000	121	32,8	Profile, split, graphite grey	IP 65
ASPH 1230-1000	94231000	1000	121	32,8	Profile, split, silver	IP 65

Scope of delivery:
Enclosure profile, two parts,
incl. fitted sponge cord

Special lengths on request

Profiles, open on one side

Order designation

Model	Order no.	L	W	H	Note	Protection
ASPU 1230-0100	94332100	100	121	32,8	Profile, for front panel, graphite grey	IP 40
ASPU 1230-0100	94331100	100	121	32,8	Profile, for front panel, silver	IP 40
ASPU 1230-0150	94332150	150	121	32,8	Profile, for front panel, graphite grey	IP 40
ASPU 1230-0150	94331150	150	121	32,8	Profile, for front panel, silver	IP 40
ASPU 1230-0200	94332200	200	121	32,8	Profile, for front panel, graphite grey	IP 40
ASPU 1230-0200	94331200	200	121	32,8	Profile, for front panel, silver	IP 40
ASPU 1230-1000	94332000	1000	121	32,8	Profile, for front panel, graphite grey	IP 40
ASPU 1230-1000	94331000	1000	121	32,8	Profile, for front panel, silver	IP 40

Scope of delivery:
Enclosure profile
Please order front panels for ASPU separately

Special lengths on request

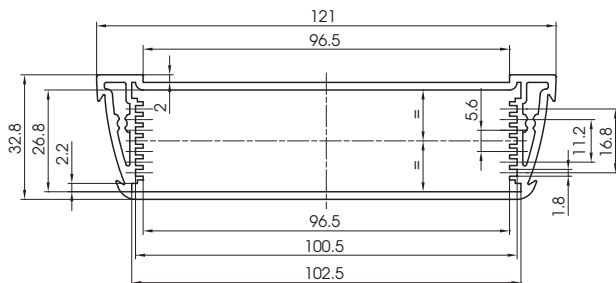
Front panels for ASPU

Order designation

Model	Order no.	L	W	T
ASPU 1230-0100 FP2	94330100	100	103,5	2
ASPU 1230-0150 FP2	94330150	150	103,5	2
ASPU 1230-0200 FP2	94330200	200	103,5	2
ASPU 1230-1000 FP2	94330000	1000	103,5	2

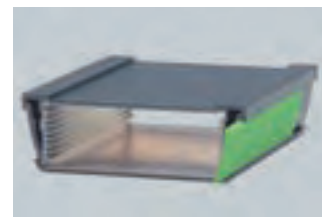
Scope of delivery:
Front panel, anodised aluminium

ASP 1230

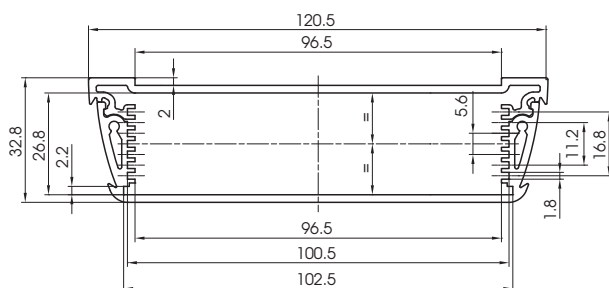


Z-2802944

Accessories starting on page 22



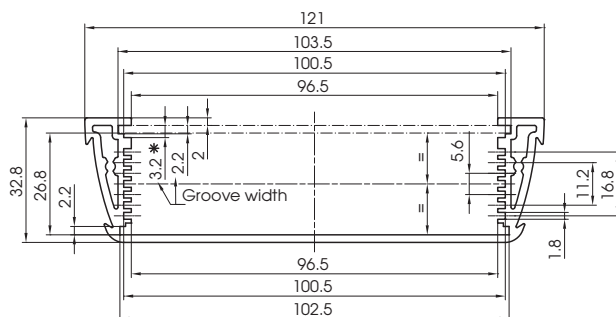
ASPH 1230



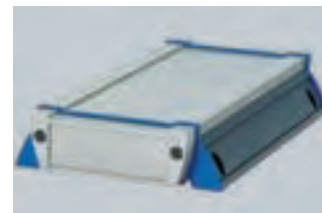
Z-2802945



ASPU 1230



Z-2802946



* If a 3 mm front panel is used, it must be milled down to 2 mm in the area of the lid contact lugs.

ALUSTYLE 1230 – lids and seals



End lid ASD...

The end lids are equipped with a 2 mm recessed area for fitting front membranes or membrane keypads. All lids are fitted with contact areas which contact the lid to the profile. This guarantees good EMC protection even with the standard enclosure. Black EMC seals made of metal-filled material are available for increased EMC resistance.



Mounting lid ASM...AL

The mounting lid has a recessed mounting area for fitting various connectors and sockets. An aluminium cap with a seal is snapped-on to achieve IP 65 protection of the assembly section.



Mounting lid ASM...SAL

Identical to ASM...AL (removable cap), but with hinged aluminium flap.
 ASM SAL1 = hinged side = membrane area
 ASM SAL2 = hinged side = smooth side



Seals AS...DI-...

A dark grey seal is included with the lids as standard. We also supply coloured seals and an EMC seal.

End lid

Order designation

Model	Order no.	Note	Protection
ASD 1230-7024	94432100	End lid, graphite grey	IP 65 / IP 66* / IP 67*
ASD 1230-9006	94431100	End lid, silver	IP 65 / IP 66* / IP 67*

* when used with ASP

Scope of delivery:

Lid incl. dark grey seal,
 screws,
 graphite grey screw covers

Mounting lid with removable aluminium cap

Order designation

Model	Order no.	Note	Protection
ASM 1230 AL-7024	94432400	Mounting lid, aluminium cap, graphite grey	IP 65
ASM 1230 AL-9006	94431400	Mounting lid, aluminium cap, silver	IP 65

Scope of delivery:

Lid, complete, incl. dark grey seal,
 screws,
 graphite grey screw covers

Mounting lid with hinged aluminium flap

Order designation

Model	Order no.	Note	Protection
ASM 1230 SAL 1-7024	94432200	Mounting lid, aluminium hinged flap, graphite grey, hinged side = membrane sid	IP 65
ASM 1230 SAL 1-9006	94431200	Mounting lid, aluminium hinged flap, silver, hinged side = membrane sid	IP 65
ASM 1230 SAL 2-7024	94432300	Mounting lid, aluminium hinged flap, graphite grey, hinged side = smooth side	IP 65
ASM 1230 SAL 2-9006	94431300	Mounting lid, aluminium hinged flap, silver, hinged side = smooth side	IP 65

Scope of delivery:

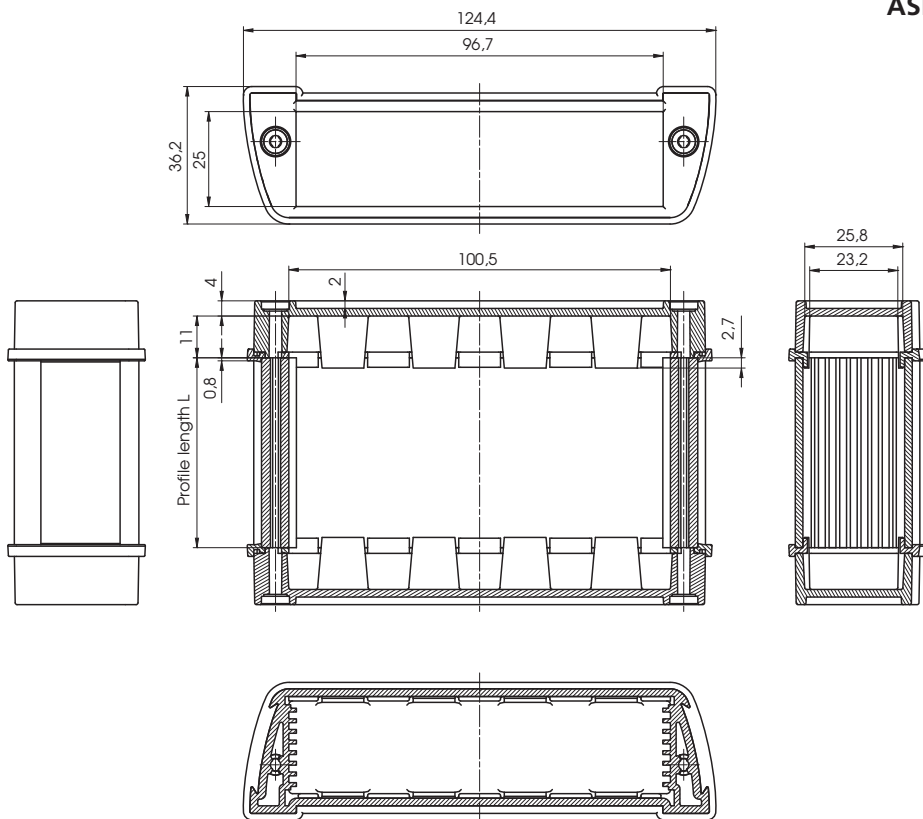
Lid, complete, incl. dark grey seal,
 screws,
 graphite grey screw covers

Seals

Order designation

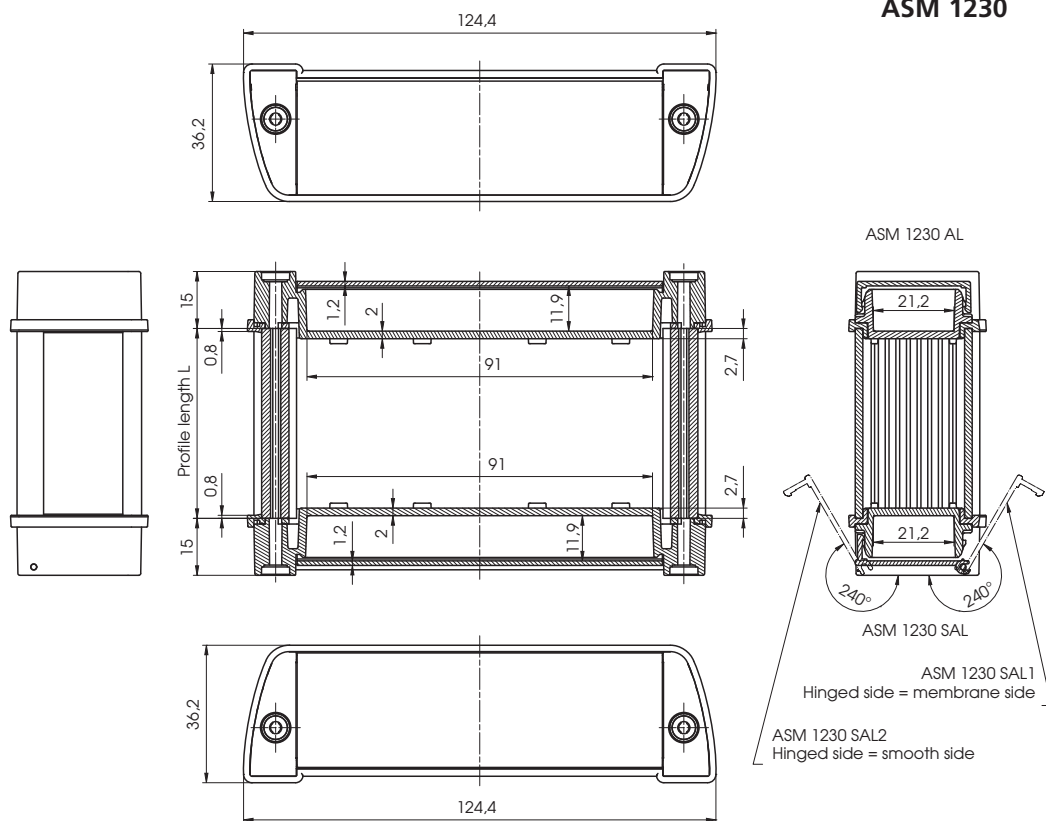
Model	Order no.	Note
AS 1230 DI-green	94533000	Seal, green, PU = 10 pcs
AS 1230 DI-red	94535000	Seal, red, PU = 10 pcs
AS 1230 DI-blue	94534000	Seal, blue, PU = 10 pcs
AS 1230 DI-orange	94536000	Seal, orange, PU = 10 pcs
AS 1230 DI-EMC	94538100	EMC seal, black, PU = 10 pcs

ASD 1230



Z-2802949

ASM 1230



ASM 1230 AL

ASM 1230 SAL

ASM 1230 SAL1
Hinged side = membrane side

ASM 1230 SAL2
Hinged side = smooth side

Z-2802953



ASM 1230-BE
available on request
(see also page 24)

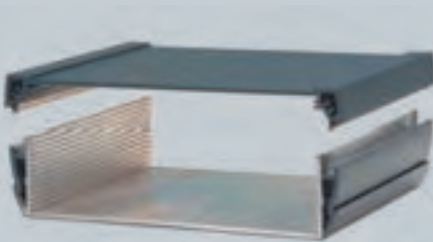


ALUSTYLE 1850 – profiles and front panels



Profile, closed

The profiles are equipped with 14 grooves to hold PCBs or mounting panels. All PCBs have the same external dimensions and can be positioned up to the inner lid surface without notches. On the top there is a recessed area for the fitting of membrane keypads. The underside is smooth.



Profile, split

In comparison with the closed profile, this horizontally split version permits the fitting of elements which project through the keypad area. Both profiles are held together by a tried-and-tested snap-lock connection. The design is identical to that of the closed version.



Profile, for front panel

This version, which is open on one side, permits the use of front panels in a wide range of materials or pre-assembled PCBs as an operating front.

Profiles, closed

Order designation

Model	Order no.	L	W	H	Note	Protection
ASP 1850-0100	94142100	100	197	54,6	Profile, closed, graphite grey	up to IP 66 / IP 67
ASP 1850-0100	94141100	100	197	54,6	Profile, closed, silver	up to IP 66 / IP 67
ASP 1850-0150	94142150	150	197	54,6	Profile, closed, graphite grey	up to IP 66 / IP 67
ASP 1850-0150	94141150	150	197	54,6	Profile, closed, silver	up to IP 66 / IP 67
ASP 1850-0200	94142200	200	197	54,6	Profile, closed, graphite grey	up to IP 66 / IP 67
ASP 1850-0200	94141200	200	197	54,6	Profile, closed, silver	up to IP 66 / IP 67
ASP 1850-1000	94142000	1000	197	54,6	Profile, closed, graphite grey	up to IP 66 / IP 67
ASP 1850-1000	94141000	1000	197	54,6	Profile, closed, silver	up to IP 66 / IP 67

Scope of delivery:

Enclosure profile

Special lengths on request

Profiles, horizontally split

Order designation

Model	Order no.	L	W	H	Note	Protection
ASPH 1850-0100	94242100	100	197	54,6	Profile, split, graphite grey	IP 65
ASPH 1850-0100	94241100	100	197	54,6	Profile, split, silver	IP 65
ASPH 1850-0150	94242150	150	197	54,6	Profile, split, graphite grey	IP 65
ASPH 1850-0150	94241150	150	197	54,6	Profile, split, silver	IP 65
ASPH 1850-0200	94242200	200	197	54,6	Profile, split, graphite grey	IP 65
ASPH 1850-0200	94241200	200	197	54,6	Profile, split, silver	IP 65
ASPH 1850-1000	94242000	1000	197	54,6	Profile, split, graphite grey	IP 65
ASPH 1850-1000	94241000	1000	197	54,6	Profile, split, silver	IP 65

Scope of delivery:

Enclosure profile, two parts, incl. fitted sponge cord

Special lengths on request

Profiles, open on one side

Order designation

Model	Order no.	L	W	H	Note	Protection
ASPU 1850-0100	94342100	100	197	54,6	Profile, for front panel, graphite grey	IP 40
ASPU 1850-0100	94341100	100	197	54,6	Profile, for front panel, silver	IP 40
ASPU 1850-0150	94342150	150	197	54,6	Profile, for front panel, graphite grey	IP 40
ASPU 1850-0150	94341150	150	197	54,6	Profile, for front panel, silver	IP 40
ASPU 1850-0200	94342200	200	197	54,6	Profile, for front panel, graphite grey	IP 40
ASPU 1850-0200	94341200	200	197	54,6	Profile, for front panel, silver	IP 40
ASPU 1850-1000	94342000	1000	197	54,6	Profile, for front panel, graphite grey	IP 40
ASPU 1850-1000	94341000	1000	197	54,6	Profile, for front panel, silver	IP 40

Scope of delivery:

Enclosure profile

Please order front panels for ASPU separately

Special lengths on request

Front panels for ASPU

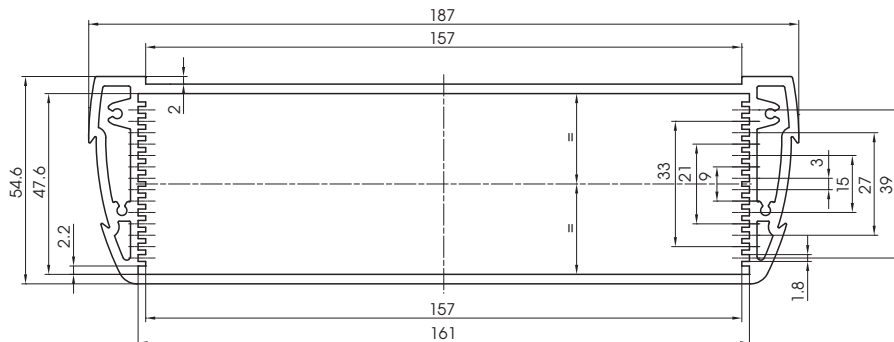
Order designation

Model	Order no.	L	W	T
ASPU 1850-0100 FP2,5	94340100	100	165	2,5
ASPU 1850-0150 FP2,5	94340150	150	165	2,5
ASPU 1850-0200 FP2,5	94340200	200	165	2,5
ASPU 1850-1000 FP2,5	94340000	1000	165	2,5

Scope of delivery:

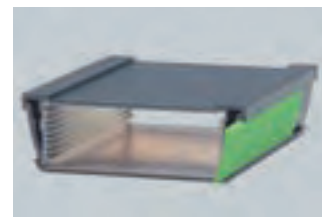
Front panel, anodised aluminium

ASP 1850

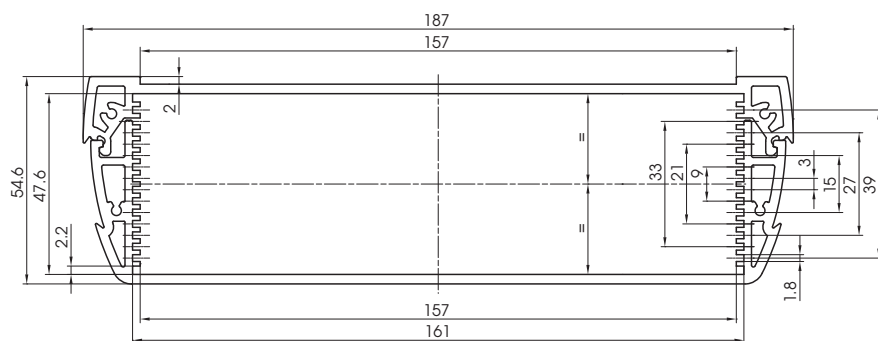


Z-2802944

Accessories starting on page 22



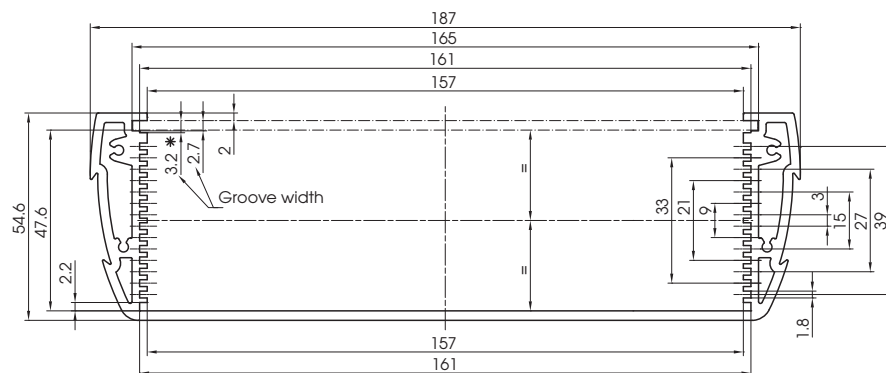
ASPH 1850



Z-2802945



ASPU 1850



* If a 3 mm front panel is used, it must be milled down to 2 mm in the area of the lid contact lugs.

Z-2802946



ALUSTYLE 1850 – lids and seals



End lid ASD...

The end lids are equipped with a 2 mm recessed area for fitting front membranes or membrane keypads. All lids are fitted with contact areas which contact the lid to the profile. This guarantees good EMC protection even with the standard enclosure. Black EMC seals made of metal-filled material are available for increased EMC resistance.



Seals AS...DI...

A dark grey seal is included with the lids as standard. We also supply coloured seals and an EMC seal.

End lid

Order designation

Model	Order no.	Note	Protection
ASD 1850-7024	94442100	End lid, graphite grey	IP 65 / IP 66* / IP 67*
ASD 1850-9006	94441100	End lid, silver	IP 65 / IP 66* / IP 67*

* when used with ASP

Scope of delivery:

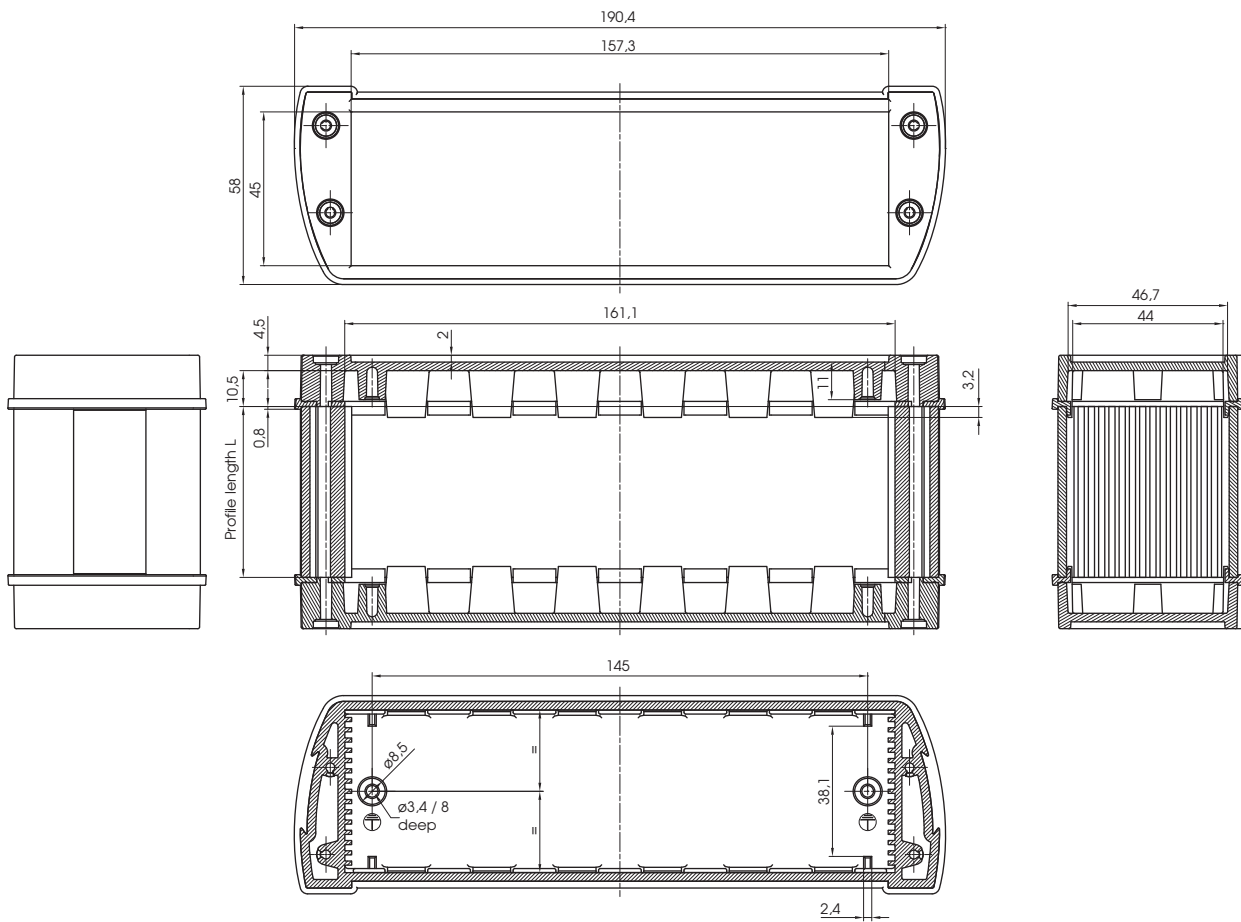
Lid incl. dark grey seal,
screws,
graphite grey screw covers

Seals

Order designation

Model	Order no.	Note
AS 1850 DI-green	94543000	Seal, green, PU = 10 pcs
AS 1850 DI-red	94545000	Seal, red, PU = 10 pcs
AS 1850 DI-blue	94544000	Seal, blue, PU = 10 pcs
AS 1850 DI-orange	94546000	Seal, orange, PU = 10 pcs
AS 1850 DI-EMC	94548100	EMC seal, black, PU = 10 pcs

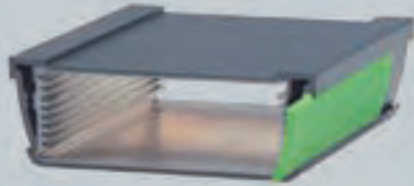
ASD 1850



Z-2802950



ALUSTYLE ACCESSORIES



Decor strip AS 20-... DS

The decor strip is used to give the enclosure an individual design. It is available in dark grey, green, blue, red and orange, and fits into the side system groove. The material used ensures that it is very easy to hold the profile firmly in mobile use. Other uses for the decor strips include as fill strips for the tower foot and the set-up foot and as decor strips for wall fitting



Wall fitting AS 0030- ... WB

The wall fitting is supplied as standard with the side covers and is designed to ensure that the screw holes can be closed by means of the standard decor strips. It is available for standard lengths 100 mm, 150 mm and 200 mm for profile sizes AS 830, AS 1030 and AS 1230.

Decor strips

Order designation

Model	Order no.	Length	Note
AS 20-0050 DS-red	94605050	48,4	Decor strip, red
AS 20-0050 DS-green	94603050	48,4	Decor strip, green
AS 20-0050 DS-orange	94606050	48,4	Decor strip, orange
AS 20-0050 DS-blue	94604050	48,4	Decor strip, blue
AS 20-0050 DS-dark grey	94607050	48,4	Decor strip, dark grey
AS 20-0100 DS-red	94605100	98,4	Decor strip, red
AS 20-0100 DS-green	94603100	98,4	Decor strip, green
AS 20-0100 DS-orange	94606100	98,4	Decor strip, orange
AS 20-0100 DS-blue	94604100	98,4	Decor strip, blue
AS 20-0100 DS-dark grey	94607100	98,4	Decor strip, dark grey
AS 20-0150 DS-red	94605150	148,4	Decor strip, red
AS 20-0150 DS-green	94603150	148,4	Decor strip, green
AS 20-0150 DS-orange	94606150	148,4	Decor strip, orange
AS 20-0150 DS-blue	94604150	148,4	Decor strip, blue
AS 20-0150 DS-dark grey	94607150	148,4	Decor strip, dark grey
AS 20-0200 DS-red	94605200	198,4	Decor strip, red
AS 20-0200 DS-green	94603200	198,4	Decor strip, green
AS 20-0200 DS-orange	94606200	198,4	Decor strip, orange
AS 20-0200 DS-blue	94604200	198,4	Decor strip, blue
AS 20-0200 DS-dark grey	94607200	198,4	Decor strip, dark grey

Scope of delivery:

10 decor strips

Wall fitting

Order designation

Model	Order no.	Note
AS 0030-0100 WB-7024	94772100	Wall fitting for profile length 100 mm, graphite grey
AS 0030-0100 WB-9006	94771100	Wall fitting for profile length 100 mm, silver
AS 0030-0150 WB-7024	94772150	Wall fitting for profile length 150 mm, graphite grey
AS 0030-0150 WB-9006	94771150	Wall fitting for profile length 150 mm, silver
AS 0030-0200 WB-7024	94772200	Wall fitting for profile length 200 mm, graphite grey
AS 0030-0200 WB-9006	94771200	Wall fitting for profile length 200 mm, silver

Scope of delivery:

2 wall fittings,
4 covers, graphite grey

Coloured covers for wall fitting

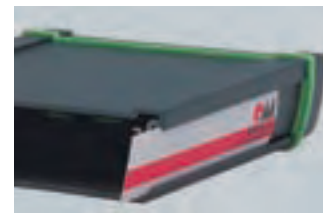
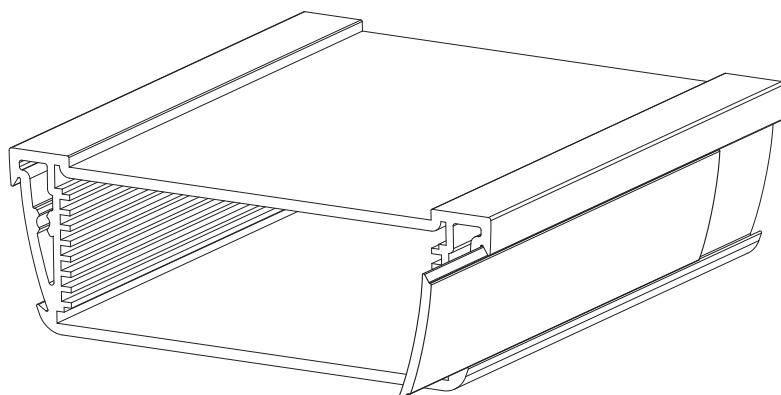
Order designation

Model	Order no.	Note
AS 0030 AK-WB-red	94785000	Covers for wall fitting, red
AS 0030 AK-WB-green	94783000	Covers for wall fitting, green
AS 0030 AK-WB-orange	94786000	Covers for wall fitting, orange
AS 0030 AK-WB-blue	94784000	Covers for wall fitting, blue

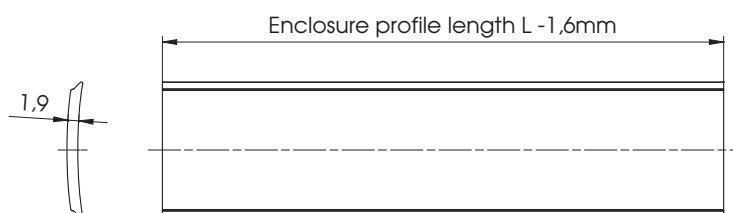
Scope of delivery:

4 covers

AS 20-0000 DS-...

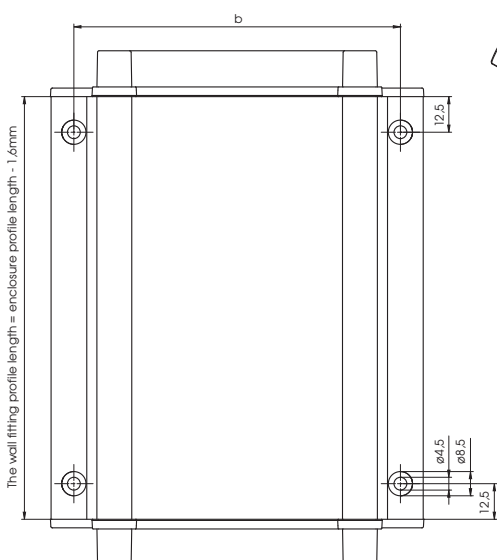
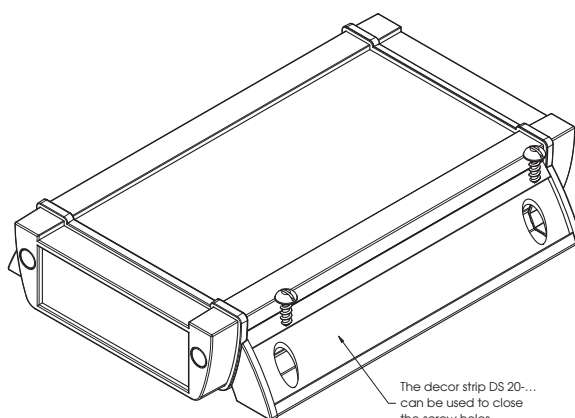


Customer-specific printed designation strips made of foil are available on request



Z-2802954

AS 0030-...WB-...



Model	B	b
AS 830	106,6	90,2
AS 1030	131,1	114,7
AS 1230	153,6	137,2

Z-2802957

ALUSTYLE ACCESSORIES



Set-up foot AS 0030- ... A

A set-up foot has been designed to permit the enclosure to be set up from the side. It is available in three standard lengths: 100 mm, 150 mm and 200 mm. In addition to the standard lengths, we can also supply 25 mm profile sections. In this case, a decor strip is needed to fill the groove gap.



Tower foot AS 0030- ... T

The tower foot is used to stand the enclosure on its edge. It can be used in three standard lengths of 100 mm, 150 mm and 200 mm in conjunction with profile sizes AS 830, AS 1030 and AS 1230. In addition to the standard lengths, we can also supply 25 mm profile sections. In this case, a decor strip is needed to fill the groove gap.



ASM ... BE

Battery compartments for 1x9V block batteries are available on request as an option for sizes AS 830, 1030 and 1230. In order to permit insertion of the battery compartment, a contour must be milled in the mounting lid. 1 or 2 battery compartments can be inserted, depending on the size.

Set-up foot

Order designation

Model	Order no.	Note
AS 0030-0025 A-7024	94752025	Set-up foot, length 25 mm, graphite grey*
AS 0030-0025 A-9006	94751025	Set-up foot, length 25 mm, silver*
AS 0030-0100 A-7024	94752100	Set-up foot for profile length 100 mm, graphite grey
AS 0030-0100 A-9006	94751100	Set-up foot for profile length 100 mm, silver
AS 0030-0150 A-7024	94752150	Set-up foot for profile length 150 mm, graphite grey
AS 0030-0150 A-9006	94751150	Set-up foot for profile length 150 mm, silver
AS 0030-0200 A-7024	94752200	Set-up foot for profile length 200 mm, graphite grey
AS 0030-0200 A-9006	94751200	Set-up foot for profile length 200 mm, silver

Scope of delivery:

1 set-up foot

*Scope of delivery:

2 set-up feet

Tower foot

Order designation

Model	Order no.	Note
AS 0030-0025 T-7024	94762025	Tower foot, length 25 mm, graphite grey*
AS 0030-0025 T-9006	94761025	Tower foot, length 25 mm, silver*
AS 0030-0100 T-7024	94762100	Tower foot for profile length 100 mm, graphite grey
AS 0030-0100 T-9006	94761100	Tower foot for profile length 100 mm, silver
AS 0030-0150 T-7024	94762150	Tower foot for profile length 150 mm, graphite grey
AS 0030-0150 T-9006	94761150	Tower foot for profile length 150 mm, silver
AS 0030-0200 T-7024	94762200	Tower foot for profile length 200 mm, graphite grey
AS 0030-0200 T-9006	94761200	Tower foot for profile length 200 mm, silver

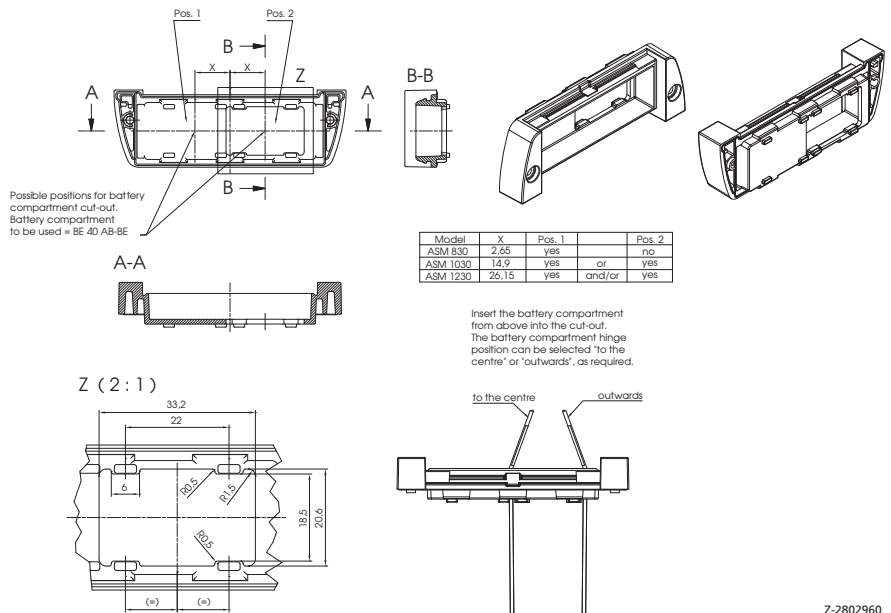
Scope of delivery:

1 tower foot, 4 rubber feet

*Scope of delivery:

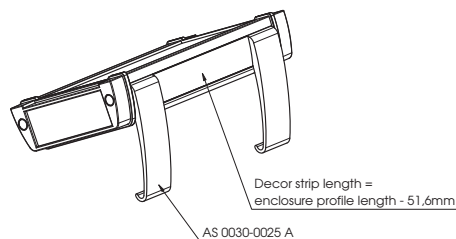
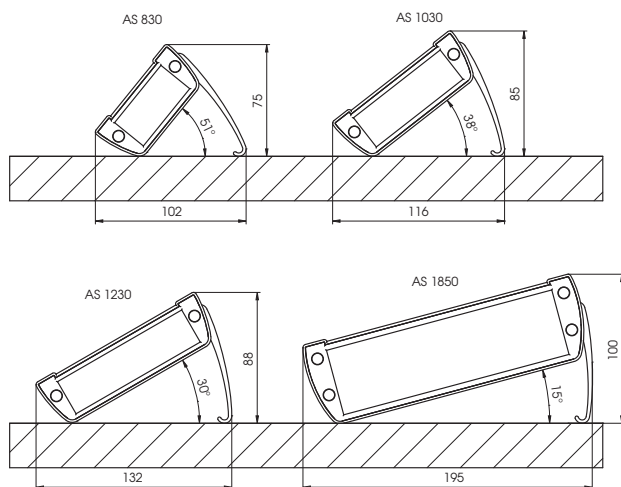
2 tower feet, 4 rubber feet

Battery compartment BE... (on request)

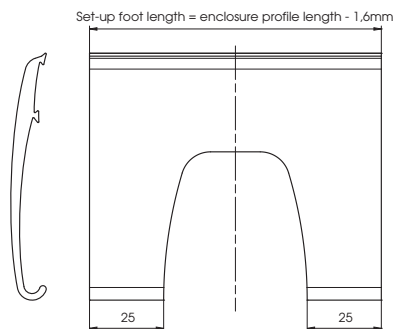


Z-2802960

AS 0030-... A

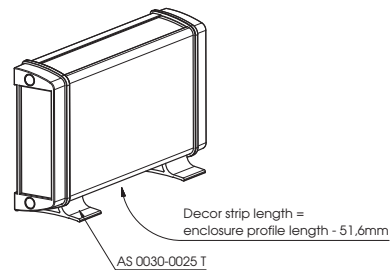
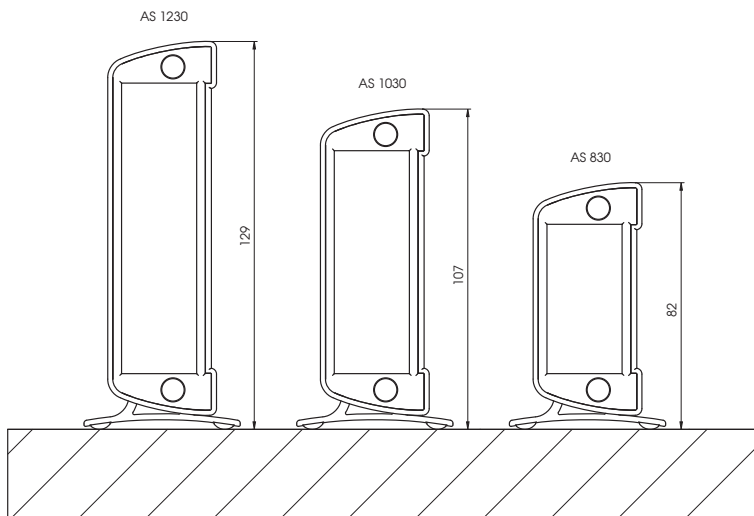


If the AS 0030-025 A is used, the system groove must be covered with the appropriate decor strip

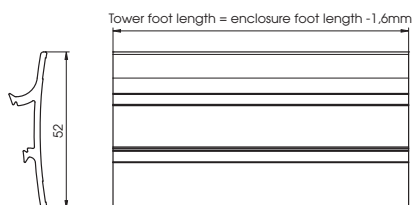


Z-2802955

AS 0030-... T



If the AS 0030-025 T is used, the system groove must be covered with the appropriate decor strip



Z-2802956

ALUSTYLE ACCESSORIES



Design lid ASD 1230 D-...

The design lid ASD 1230 D-... is available in 2 colours and can be used as an alternative to the following lids:

- ASD 1230-...,
- ASM 1230 AL-...,
- ASM 1230 SAL 1-...
- and ASM 1230 SAL 2-...



Impact protection seal

The impact protection seal was developed for use in rough environments. It encloses the ASD lid and protects it against damage.

Design lid

Order designation

Model	Order no.	Note
ASD 1230 D-7024	94432600	Design lid for profile size 1230, graphite grey
ASD 1230 D-9006	94431600	Design lid for profile size 1230, silver

Protection:

IP 65 / IP 66* / IP 67*

* when used with ASP

Scope of delivery:

1 lid, graphite grey screw covers

Impact protection seal for ASD...

Order designation

Model	Order no.	Note
AS 830 DI-S-red	94515200	Impact protection seal for ASD 830, red
AS 830 DI-S-green	94513200	Impact protection seal for ASD 830, green
AS 830 DI-S-orange	94516200	Impact protection seal for ASD 830, orange
AS 830 DI-S-blue	94514200	Impact protection seal for ASD 830, blue
AS 830 DI-S-dark grey	94517200	Impact protection seal for ASD 830, dark grey
AS 1030 DI-S-red	94525200	Impact protection seal for ASD 1030, red
AS 1030 DI-S-green	94523200	Impact protection seal for ASD 1030, green
AS 1030 DI-S-orange	94526200	Impact protection seal for ASD 1030, orange
AS 1030 DI-S-blue	94524200	Impact protection seal for ASD 1030, blue
AS 1030 DI-S-dark grey	94527200	Impact protection seal for ASD 1030, dark grey
AS 1230 DI-S-red	94535200	Impact protection seal for ASD 1230, red
AS 1230 DI-S-green	94533200	Impact protection seal for ASD 1230, green
AS 1230 DI-S-orange	94536200	Impact protection seal for ASD 1230, orange
AS 1230 DI-S-blue	94534200	Impact protection seal for ASD 1230, blue
AS 1230 DI-S-dark grey	94537200	Impact protection seal for ASD 1230, dark grey

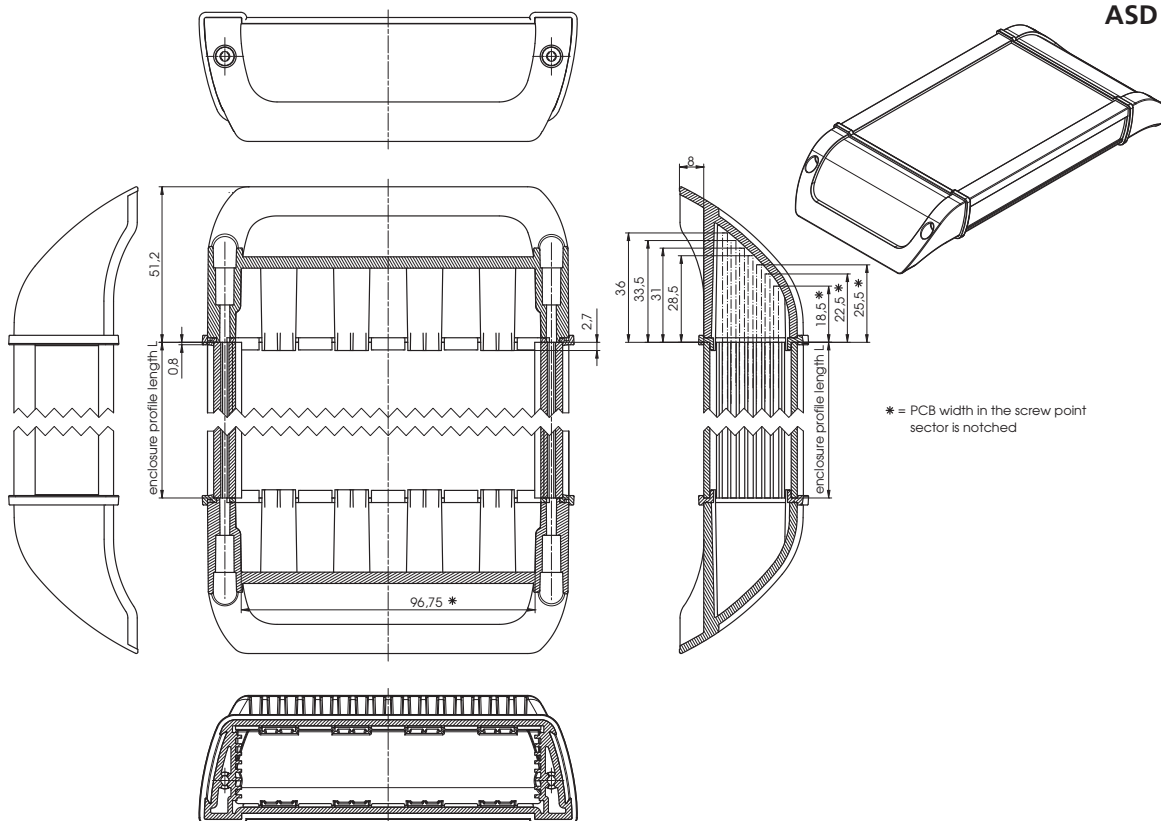
Protection:

IP 65

Scope of delivery:

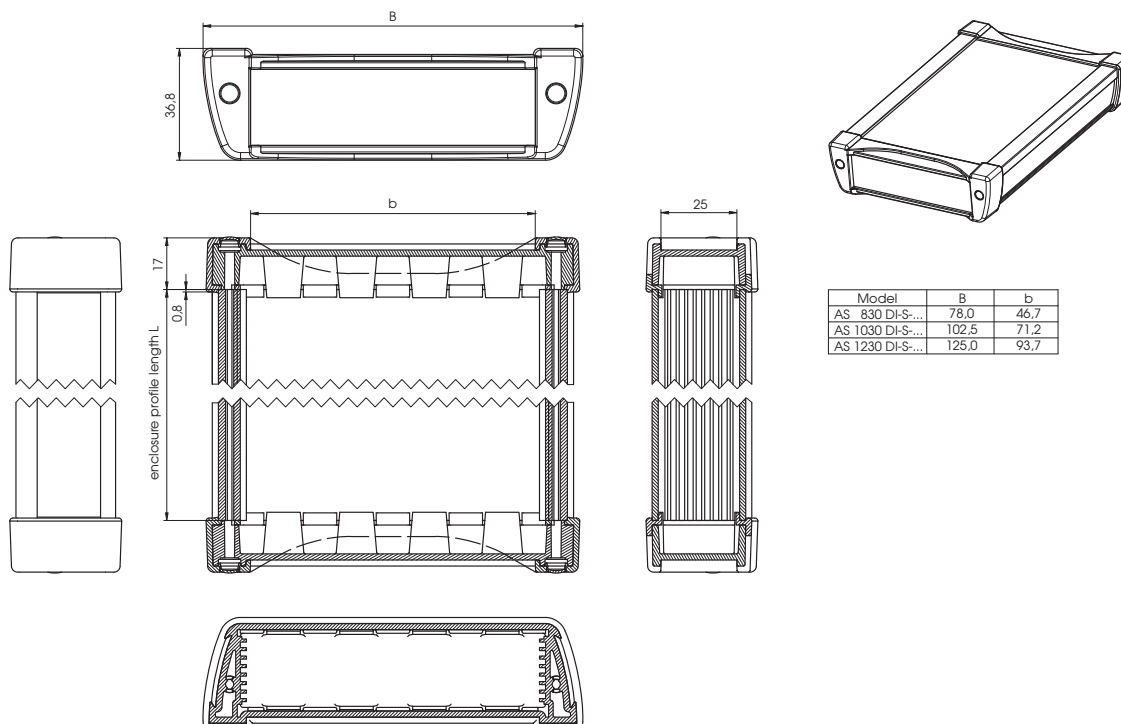
1 impact protection seal,
graphite grey screw covers

ASD 1230 D-...



Z-2802958

ASD ... DI-S-...



Model	B	b
AS 830 DI-S-...	78.0	46.7
AS 1030 DI-S-...	102.5	71.2
AS 1230 DI-S-...	125.0	93.7

Z-2802959

UNIVERSAL ENCLOSURE FITTING



This universal enclosure fitting consists of two basic units:

UGA universal adapter

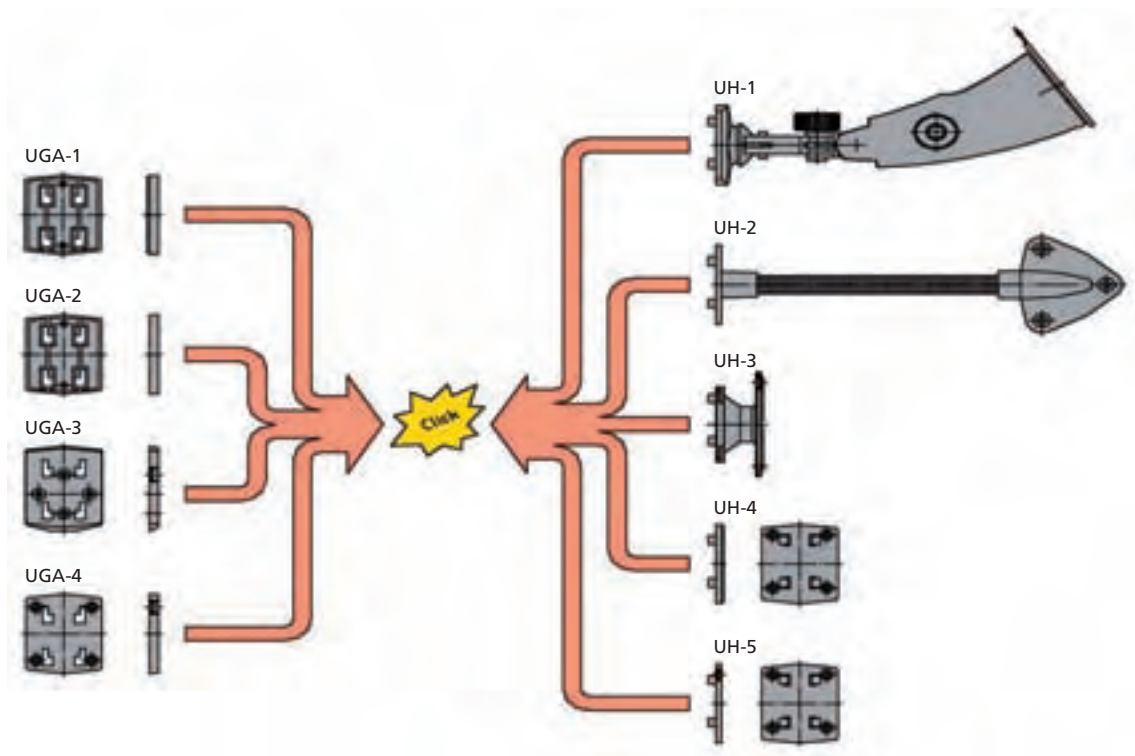
The universal adapters can be fitted to all kinds of enclosures, hand-held enclosures, control units etc. by gluing or screwing.

UH universal fitting

Depending on the design, the universal fittings can be fitted to all kinds of machines, switch cabinets, laboratory equipment, vehicle dashboards etc. by means of gluing, screwing or a removable suction mount system.

Enclosure: ABS
material:

Colour: black, similar to RAL 9005



All UH universal fittings can be used in combination with all UGA universal adapters and can be interlocked

with each other by the use of a 4-claw locking device. Enclosures which are fitted with a suitable UGA

universal adapter can be snapped onto and removed from the UH universal fittings.

UNIVERSAL FITTING



Universal fitting with removable suction mount system UH-1



Universal fitting with screw mounting and flexible swan neck UH-2



Universal fitting with tilt, rotating UH-3



Universal fitting with self-adhesive foil UH-4 or screw holes UH-5

Universal fitting with removable suction mount system UH-1

Order designation

Model	Order no.	H	W	D	Description
UH-1	22017000	203	75	70	with removable suction mount system

Can be swivelled on 2 axes. The mounting plate also swivels and can be rotated through 360°. The universal fitting has an integrated cable guide.

Scope of delivery:

Universal fitting with removable suction mount system

Universal fitting with screw mounting UH-2

Order designation

Model	Order no.	H	W	D	Description
UH-2	22015660	230	69	25	with screw mounting and swan neck

Scope of delivery:

Universal fitting with 3-point screw section, 3 screws

Universal fitting with tilt UH-3

Order designation

Model	Order no.	H	W	D	Description
UH-3	22015800	31	54	75	with tilt, rotating

Universal fitting with 2 screw holes and self-adhesive foil, adjustable for angle, can be rotated through 360°. The setting screw can be adjusted to provide optimal holding force.

Scope of delivery:

Universal fitting with tilt, can be rotated, 2 screws

Universal fitting with self-adhesive foil UH-4 / with screw holes UH-5

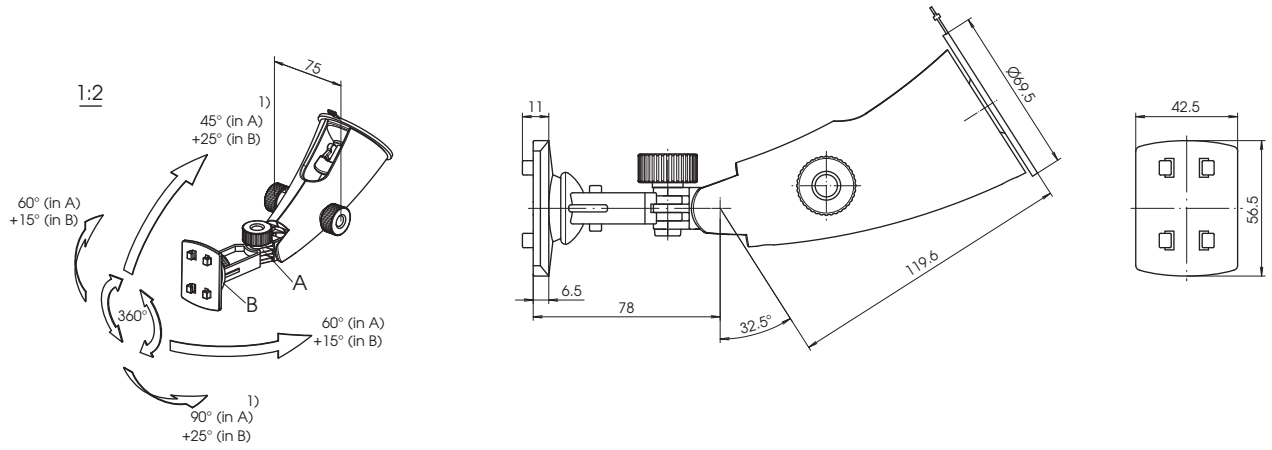
Order designation

Model	Order no.	H	W	D	Description
UH-4	22014830	8,7	42,4	56,7	with self-adhesive foil
UH-5	22016420	7,5	42,4	56,7	with screw holes

Scope of delivery:

Fitting

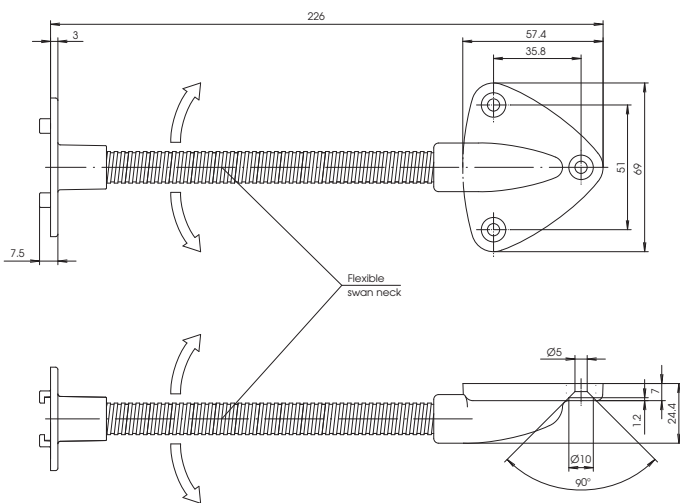
UH-1



1) Fixed locking position every 15°

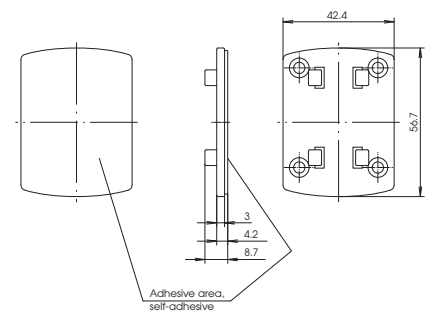
Z-2802876

UH-2



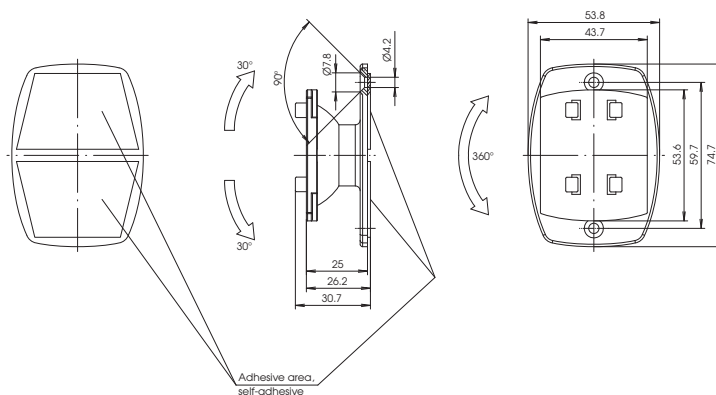
Z-2802877

UH-4



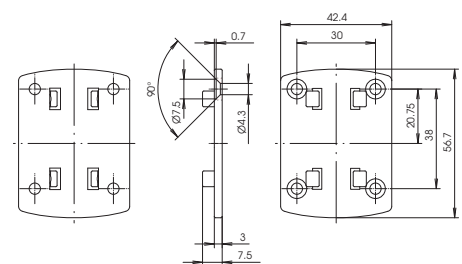
Z-2802879

UH-3



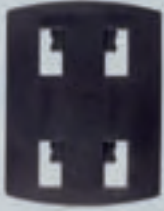
Z-2802878

UH-5



Z-2802880

UNIVERSAL FITTING



Universal fitting with self-adhesive foil UGA-1



Universal fitting with screw holes UGA-2



Universal fitting with screw holes UGA-3



Universal fitting with screw holes UGA-4

Universal fitting with self-adhesive foil UGA-1

Order designation

Model	Order no.	H	W	D	Description
UGA-1	22014710	6,2	42,3	56,5	with self-adhesive foil

For fitting to the enclosure,
with self-adhesive foil

Scope of delivery:

Universal fitting

Universal fitting with screw holes UGA-2

Order designation

Model	Order no.	H	W	D	Description
UGA-2	22016430	5	42,3	56,5	with 2 screw holes

For fitting to the enclosure,
with 2 screw holes

Scope of delivery:

Universal fitting

Universal fitting with screw holes UGA-3

Order designation

Model	Order no.	H	W	D	Description
UGA-3	22016410	5	42,8	61,1	with 4 screw holes (central)

For fitting to the enclosure,
with 4 screw holes (central)

Scope of delivery:

Universal fitting

Universal fitting with screw holes UGA-4

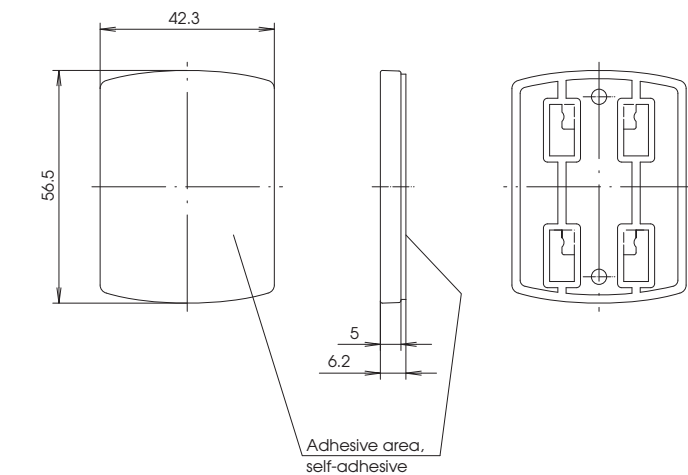
Order designation

Model	Order no.	H	W	D	Description
UGA-4	22016350	5	42,3	56,7	with 4 screw holes (at corners)

For fitting to the enclosure,
with 4 screw holes (at corners)

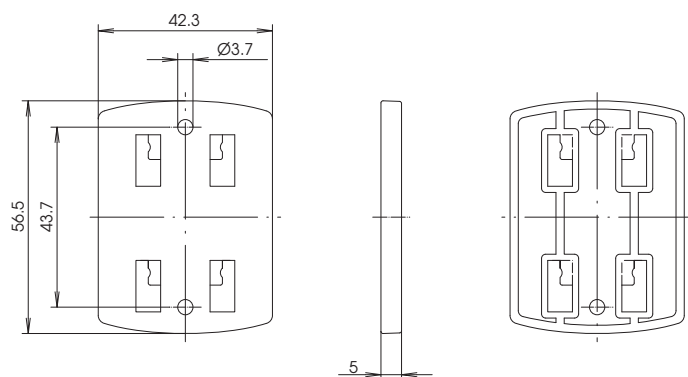
Scope of delivery:

Universal fitting



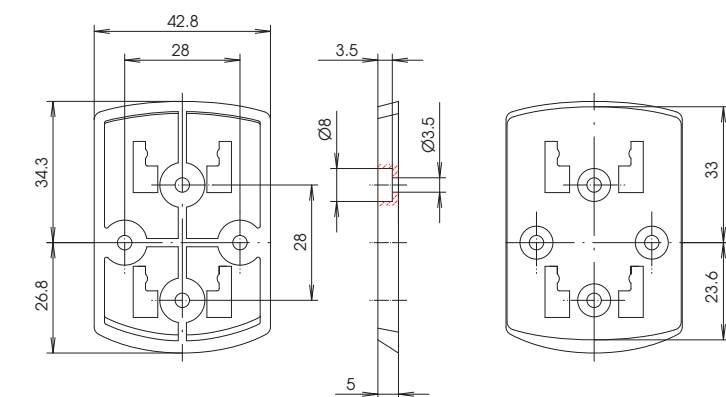
UGA-1

Z-2802881



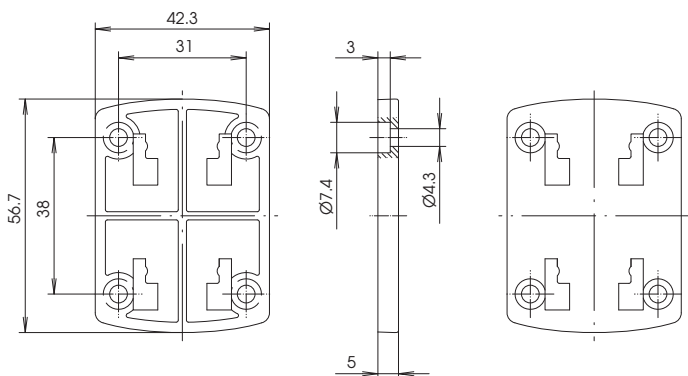
UGA-2

Z-2802882



UGA-3

Z-2802883



UGA-4

Z-2802884

Note

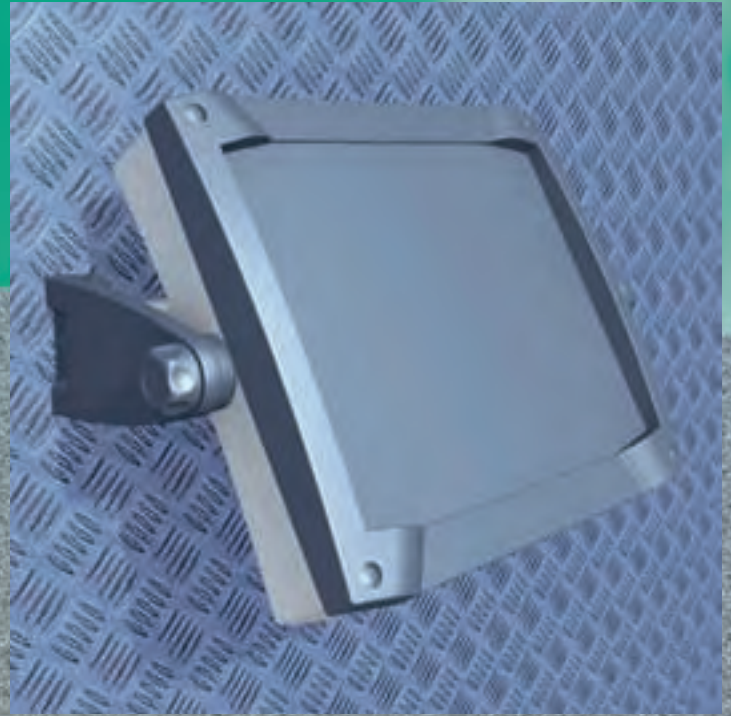
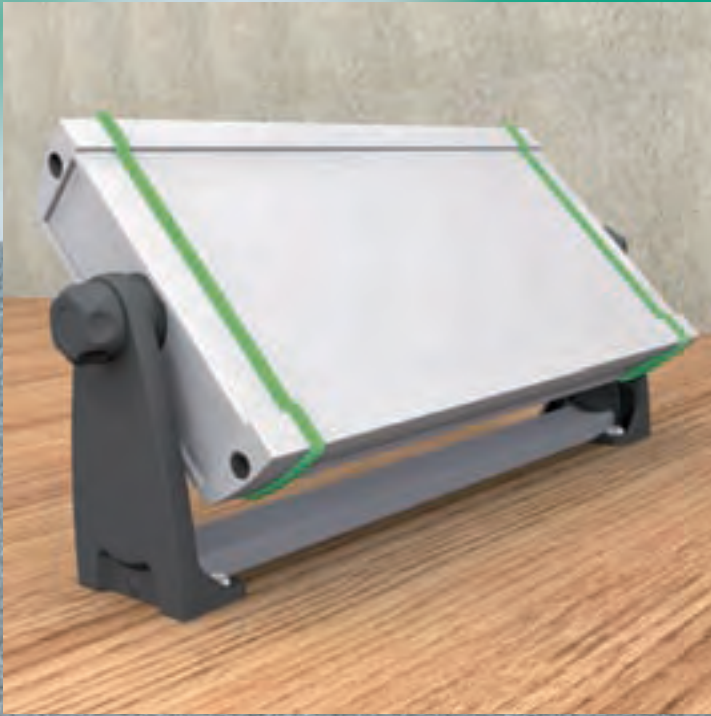
Additional designs which are not included in the standard product range can be supplied on request.

Please contact our sales department for details of prices and delivery times!

Examples:



UNIVERSAL WALL FITTING



The universal wall fitting can be used for a wide range of enclosures, which can then be swivelled in 10° stages. When combined with the universal wall fitting, the enclosure is also suitable for use as a desktop enclosure.

The attractive universal wall fitting is supplied as standard in four colours. As the profile is available separately, the wall fittings are ideal for use with almost every enclosure.

Standardised articles can be supplied for BOPLA's three BOCARD, Alu-Topline and ALUSTYLE enclosure series.

Universal wall fitting UWB

Order designation

Model	Order no.	W	H	D	Note
UWB 7024	94800024	*	50	91	Graphite grey, similar to RAL 7024
UWB 7038	94800038	*	50	91	Agate grey, similar to RAL 7038
UWB 7035	94800035	*	50	91	Light grey, similar to RAL 7035
UWB 9005	94800005	*	50	91	Black, similar to RAL 9005

Scope of delivery:
2 side flanges, compl., screws, covers

* Variable with UWB profile

Profile for universal wall fitting

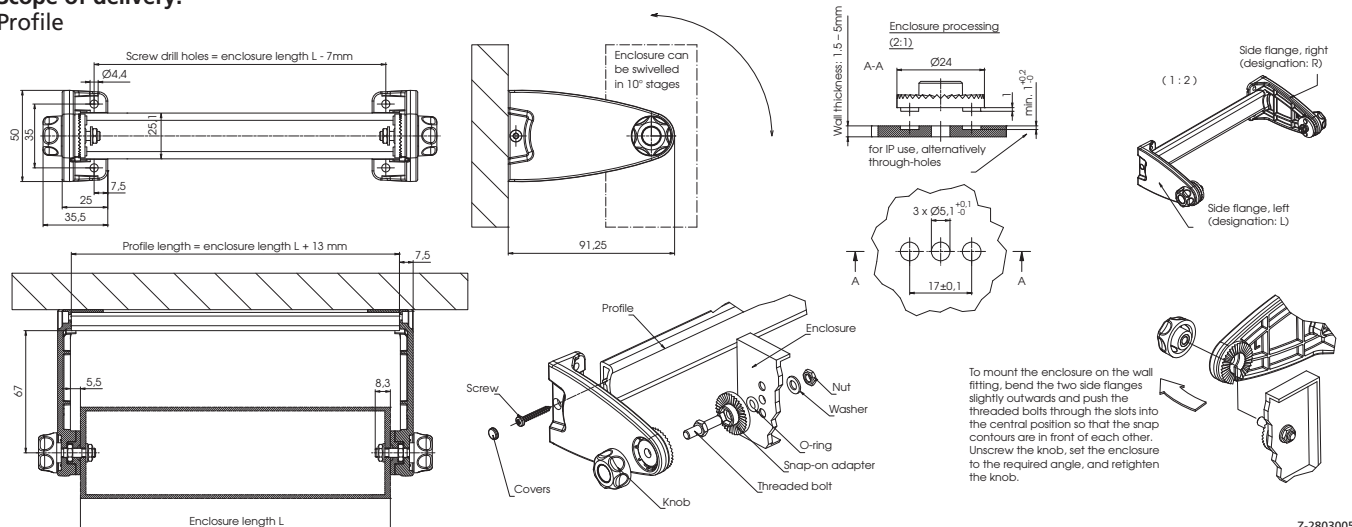
Order designation

Model	Order no.	W	H	D	Note
UWB-Profil	94801000	1000	25	10	for universal enclosure fitting

Scope of delivery:
Profile



The universal wall fitting is available in separate pieces, so it is suitable for use with almost every enclosure.



Universal wall fitting for ALUSTYLE

Order designation

Model	Order no.	W	H	D	Note
AS 0100-7024 UWB	94810024	154	50	91	Graphite grey, similar to RAL 7024, for profile length 100 mm
AS 0150-7024 UWB	94815024	204	50	91	Graphite grey, similar to RAL 7024, for profile length 150 mm
AS 0200-7024 UWB	94820024	254	50	91	Graphite grey, similar to RAL 7024, for profile length 200 mm

Universal wall fitting for BOCARD (BCD...-0,5)

Order designation

Model	Order no.	W	H	D	Note
BCD 160-0,5-7024 UWB	20816024	223	50	91	Graphite grey, similar to RAL 7024, for BOCARD 160
BCD 200-0,5-7024 UWB	20820024	273	50	91	Graphite grey, similar to RAL 7024, for BOCARD 200
BCD 250-0,5-7024 UWB	20825024	323	50	91	Graphite grey, similar to RAL 7024, for BOCARD 250



By using the universal wall fitting, a table-mounted assembly can also function as a display enclosure.

Universal wall fitting for Alu-Topline

Order designation

Model	Order no.	W	H	D	Note
AT 0150-7024 UWB	92815024	200	50	91	Graphite grey, similar to RAL 7024, for profile length 150 mm
AT 0200-7024 UWB	92820024	250	50	91	Graphite grey, similar to RAL 7024, for profile length 200 mm
AT 0250-7024 UWB	92825024	300	50	91	Graphite grey, similar to RAL 7024, for profile length 250 mm
AT 0300-7024 UWB	92830024	350	50	91	Graphite grey, similar to RAL 7024, for profile length 300 mm

Scope of delivery:
Profile, 2 side flanges compl., screws, covers

BOPLA Sales Organisation Germany



National Sales Manager:

Carsten Altmack
+49 5223 / 969-115
caltmack@bopla.de

International Sales Manager:

Norbert Tinz
+49 5223 / 969-171
ntinz@bopla.de

Thomas Lücke
+49 5223 / 969-137
tluecke@bopla.de

Internal Sales Manager:

Silvia Spilker
+49 5223 / 969-138
sspilker@bopla.de

Commercial Distribution Manager:

Axel Wellmann
+49 5223 / 969-146
awellmann@bopla.de

Area Sales Manager:

Birgit Schulte-Beckmann
+49 5223 / 969-140
bschulte@bopla.de
for sales area 01

Heike Kretschmer
+49 5223 / 969-149
hkretschmer@bopla.de
for sales area 02

Regina Reeßing
+49 5223 / 969-139
rreesing@bopla.de
for sales area 14

Anja Krusel
+49 5223 / 969-151
akrusel@bopla.de
for sales area 04

Christopher Etienne
+49 5223 / 969-174
cetiienne@bopla.de
for sales area 17

Ralf Massmann
+49 5223 / 969-142
rmassmann@bopla.de
for sales area 06

Irene Weis
+49 5223 / 969-145
iweis@bopla.de
for sales area 10

Raphael Tiemann
+49 5223 / 969-176
rtiemann@bopla.de
for sales area 03

Heike Buchholz
+49 5223 / 969-150
hbuchholz@bopla.de
for sales area 07

Marketing System Solutions:

Sales area Northern Germany
Sales areas:
1/2/3/4/14

Marco Pape
Tel.: +49 5223 / 969-212
Fax: +49 5223 / 969-160
Mobile:+49 173 / 7276465
mpape@bopla.de

Sales area Southern Germany
Sales areas: 6/7/10/17

Andreas Fliege
Tel.: +49 5223 / 969-216
Fax: +49 5223 / 969-160
Mobile:+49 173 / 7276467
afliege@bopla.de

Sales Manager 19“:

Paul-Gerhard Scheduling
+49 5223 / 969-164
pscheduling@bopla.de

Axel Germann
+49 5223 / 969-163
agermann@bopla.de

Sales Manager Membrane Keypads

Agencies and field staff:
Sales area Northern Germany
Sales areas:
1/2/3/4/14

Nikolai Wilke
Tel.: +49 5223 / 969-169
Fax: +49 5223 / 969-160
Mobile:+49 173 / 7276476
nwilke@bopla.de

Sales area Southern Germany
Sales areas: 6/7/10/17

Andreas Fliege
Tel.: +49 5223 / 969-216
Fax: +49 5223 / 969-160
Mobile:+49 173 / 7276467
afliege@bopla.de

Area Sales Manager:

Joachim Niermann
+49 5223 / 969-166
jniermann@bopla.de

Ralf Konersmann
+49 5223 / 969-167
rkonersmann@bopla.de

Marcel Nehls
+49 5223 / 969-168
mnehls@bopla.de

Agencies and field staff

1 BOPLA sales area 1
Roland Heisig
Mobile:+49 173 / 7276471
Tel.: +49 3327 / 565636
Fax: +49 3327 / 565637
rheisig@bopla.de

2 BOPLA sales area 2
Jürgen Stapelfeld
Mobile:+49 173 / 7276470
Tel.: +49 4154 / 791968
Fax: +49 4154 / 7743
jstapelfeld@bopla.de

3 ELTOP GmbH
Jörg Oppermann
Robert-Bosch-Str. 8
30989 Gehrden
Mobile:+49 172 / 5101231
Tel.: +49 5108 / 927320
Fax: +49 5108 / 927321
eltop@eltop.de

4 BOPLA sales area 4
Thomas Geißler
Mobile:+49 173 / 7276480
Tel.: +49 2162 / 1034308
Fax: +49 2162 / 1033679
tgeissler@bopla.de

6 BOPLA sales area 6
Matthias Edinger
Mobile:+49 173 / 7276463
Tel.: +49 6753 / 964208
Fax: +49 6753 / 964245
medinger@bopla.de

7 BOPLA sales area 7
Hans-Peter Müller
Mobile:+49 173 / 7276468
Tel.: +49 7232 / 315357
Fax: +49 7232 / 50550
hmueller@bopla.de

Sales Area Responsibilities:

- 1 Postcode: 01-04, 06-17, 39
- 2 Postcode: 18-25, 27-28
- 3 Postcode: 29-34, 361-362, 364, 37-38, 98, 99
- 4 Postcode: 40-42, 47 (excluding 475), 50-52
- 6 Postcode: 35, 360, 363, 53-57, 60-69, 747-749, 767-768
- 7 Postcode: 72, 77-79, 88, 890-894, 8958-8959, 896, 86-87
- 10 Postcode: 90-96, 80-85
- 14 Postcode: 26, 44-46, 475, 48-49, 58-59
- 17 Postcode: 70-71, 730-746, 75-766, 891-8957, 97

10 BOPLA sales area 10

Robert Waldau
Mobile: +49 173 / 7276466
Tel.: +49 9101 / 6516
Fax: +49 9101 / 997355
rwaldau@bopla.de

14 BOPLA sales area 14

Rainer Nottberg
Mobile: +49 173 / 7276479
Tel.: +49 5936 / 9345485
Fax: +49 5936 / 9345486
rnotberg@bopla.de

17 BOPLA sales area 17

Udo Metzulat
Mobile: +49 173 / 7276462
Tel.: +49 7159 / 933925
Fax: +49 7159 / 933926
umetzulat@bopla.de

BOPLA Sales Organisation International

ASIA / Singapore

Phoenix Mecano S.E. Asia Pte Ltd.
53 Ubi Ave 3, #04-01
Colourscan Building
Singapore 408863
Tel.: +65 (0) 6749 / 1611
Fax: +65 (0) 6749 / 6766
+65 (0) 6749 / 6749
pmsea@pmecano.com.sg
www.phoenix-mecano.com.sg

AUSTRALIA

Rubin Group Pty Ltd.
50 Whiting Street, P.O. Box 82
AU-1570 Artarmon, NSW
Tel.: +61 2 / 94392333
Fax: +61 2 / 94392278
csales@rubin.com.au
www.rubin.com.au

BALTIC STATES

BOPLALIT UAB
Vaivorykstes 11
LT-53365 Noreikiskes
Lithuania
Tel.: +370 61 779 779
Fax: +370 37 406 718
sistum@takas.lt

BELGIUM

PM Komponenten N.V.
Karrewegstraat 124
B-9800 Deinze
Tel.: +32 (0) 9 / 2207050
Fax: +32 (0) 9 / 2207250
info.pmb@phoenix-mecano.com
www.pmk.be

BRAZIL

Phoenix Mecano
Comercial e Técnica Ltda.
Av. Prof. Alceu Maynard de
Araujo, 185
BRA-04726-160 São Paulo / Brasil
Tel.: +55 (0) 11 / 5641-2201
Fax: +55 (0) 11 / 5641-0882
vendas@phoenix-mecano.com.br
www.phoenix-mecano.com.br

BULGARIA

PM Consulting Ltd. - Bulgária
Bulgária ap. 15 Kiril i Metodi Str.
BG-1202 Sofia
Tel.: +359 (2) / 9835712
Fax: +359 (2) / 9835712
office@pmcbg.eu
www.pmcbg.eu

Comet Electronics - Bulgária

16, Tsar Samuil Str.
BG-1000 Sofia
Tel.: +359 (2) / 9155800
Fax: +359 (2) / 9540384
office@comet.bg
www.comet.bg

CHINA

Mecano Components (Shanghai)
Co. Ltd. & Phoenix Mecano
Components (Shanghai) Co. Ltd.
No. 1001, JiaQian Road,
Nanxiang, JiaDing District
CN-201802 Shanghai, China PRC
Tel.: +86 21 / 69176590 / 6591 / 6603 / 1937
Fax: +86 21 / 69176532 / 6602
info@mecano.com.cn
www.mecano.com.cn

DENMARK

Eegholm A/S
Grundtvigs Allee 165-169
DK-6400 Sønderborg
Tel.: +45 (0) 73 / 121212
Fax: +45 (0) 73 / 121213
eegholm@eegholm.dk

FINLAND

Oy Elteosähkö AB
Kärsämäentie 23
FI-20360 Turku
Tel.: +358 (0) 2 / 4100200
Fax: +358 (0) 2 / 4100230
info@elteo.fi
www.elteo.fi

FRANCE

Phoenix Mecano
76, Rue du Bois Galon-B.P.3
F-94121 Fontenay sous Bois, Cedex
Tel.: +33 (0) 1 / 53995050
Fax: +33 (0) 1 / 53995076
info.pmf@phoenix-mecano.com
www.phoenixmecano.fr

GREECE

Dimoulas special cables S.A.
100-102 Lenorman Str.
GR-10444 Athens
Tel.: +30-210 / 5157610
Fax: +30-210 / 5157611
dimoulas@hellasnet.gr
www.dimoulas.gr

GREAT BRITAIN

Bopla Enclosures Phoenix Mecano Ltd.
6-7 Faraday Road
GB-Aylesbury Bucks HP 19 8TX
Tel.: +44 (0) 1296 / 398855
Fax: +44 (0) 1296 / 398866
sales@phoenix-mecano.com
www.bopla-enclosures.co.uk

INDIA

Phoenix Mecano (India) Ltd.
388-389, Pirangoot Indl. Area
Pirangoot Hinjewadi Road,
Village Bhare, Taluka Mulshi,
Dist. Pune - 412 108
Tel.: +020 / 22929203/04
Fax: +020 / 22929205
admin@pmipl-online.com
www.pmipl-online.com

IRELAND

Reg Farrell Engineering Ltd.
Unit 19, Oak Road Business Park
Western Industrial Estate
IE-Dublin 12
Tel.: +353 (0) 1 / 4659010
Fax: +353 (0) 1 / 4659011
info@rfe.ie
www.rfe.ie

ISRAEL

I.C.P.C., P.O. Box 119
IL-Netanya 42142
Tel.: +972 (0) 9 / 8656566
Fax: +972 (0) 9 / 8656567
icpc@icpc.co.il
www.icpc.co.il

ITALY

Phoenix-Mecano S.R.L.
Prol. Via G. Di Vittorio 11
I-20065 Inzago (Milano)
Tel.: +39 (0) 2 / 95315260
Fax: +39 (0) 2 / 95310539
pmi.enclosure.sales@
phoenix-mecano.com
www.phoenix-mecano.it

KOREA

Phoenix Mecano Korea Co., Ltd.
6F, Toolstec Kyung-Bok Building,
985-27, Shi-Heung 3 Dong,
Keum-Cheon Ku, Seoul 153-864,
South Korea
Tel.: +82 2 / 2637 - 6922
Fax: +82 2 / 2637 - 6925
info@pmecano.co.kr
www.pmecano.co.kr

Phoenix Mecano Korea Co., Ltd.

71, Gyungnam Building,
225-67, Bugak-Dong,
Geumjung-Ku,
Pusan, South Korea
Tel.: +82 5 / 15176924
Fax: +82 5 / 15176925
info@pmecano.co.kr
www.pmecano.co.kr

CROATIA

Piletic d.o.o.
Kaptolska 39
HR-10000 Zagreb
Tel.: +385 (1) / 3014-405
Fax: +385 (1) / 3639-399
piletic@zg.htnet.hr
www.piletic.hr

BOPLA Sales Organisation International

NETHERLANDS

PM Componenten B.V.
Havenstraat 100
NL-7005 AG Doetinchem
Tel.: +31 (0) 314 / 368368
Fax: +31 (0) 314 / 368378
info@pmcomponenten.nl
www.pmkomponenten.nl

NORWAY

Miltronic AS
Eikveien 11
N-3036 Drammen
Tel.: +47 (0) 32 / 261300
Fax: +47 (0) 32 / 261399
info@miltronic.no
www.miltronic.no

AUSTRIA

AVS-Phoenix Mecano GmbH
Birostr. 17
A-1232 Vienna
Tel.: +43 (0) 1 / 6150801-0
Fax: +43 (0) 1 / 6150801-130
info@avs-phoenix.at
www.avs-phoenix.co.at

POLAND

EX-CON Sp. z o.o.
ul. Braniborska 58-68
PL-53-680 Wrocław
Tel.: +48 (0) 71 / 7947047
Fax: +48 (0) 71 / 7947037
info@ex-con.pl
www.ex-con.pl

PORTUGAL

Nova Zeta 3
Automatização e Control, Lda.
Alameda, St. Antonio dos
Capuchos No. 4B
P-1169-092 Lisbon
Tel.: +351 (0) 21 / 3553930
Fax: +351 (0) 21 / 3553939
international@novazeta3.pt
www.novazeta3.pt

ROMANIA

Ecas Electro
Str. Cornelia 7, sector 4
RO-75113 Bucharest
Tel.: +40 21 / 2048100
Fax: +40 21 / 2048330
office@ecas.ro
www.ecas.ro

RUSSIA

OOO AT electronics Moscow
ul. Avtosavodskaya 16-2
RU-109280 Moscow
Tel.: +7 (0) 95 / 1014425
Fax: +7 (0) 95 / 2344489
info@at-e.ru
www.at-e.ru

AT-Electronics Yekaterinburg

Bebelya str. 17, room 405
RU-620034 Yekaterinburg
Tel.: +7 (0) 343 / 2452224
Fax: +7 (0) 343 / 2459822
ural@at-e.ru
www.at-e.ru

OOO AT Petersburg

Polytechnicheskaya str, d.9,B
RU-194021 St. Petersburg
Tel.: +7 812 / 7030817
Fax: +7 812 / 7030834
spb@at-e.ru
www.at-e.ru

SE Spezial-Electronic

Vernadskogo prospect, 127
RU-117571 Moscow
Tel.: +7 (0) 95 / 433-2582
Fax: +7 (0) 95 / 434-4409
info@spezial.ru
www.spezial.ru

SE Spezial-Electronic

Aptekarfkej-Prospekt, 8
RU-197022 St. Petersburg
Tel.: +7 (0) 8 12 / 4381029
www.at-e.com.ua

SWEDEN

Miltronic AB
Kungshagsvägen 7, Box 1022
S-61129 Nyköping
Tel.: +46 (0) 1 55 / 77700
Fax: +46 (0) 1 55 / 77702
info@miltronic.se
www.miltronic.se

SWITZERLAND

**Phoenix Mecano
Komponenten AG**
Hofwisenstraße 6
CH-8260 Stein am Rhein
Tel.: +41 (0) 52 / 7427500
Fax: +41 (0) 52 / 7427590
zentrale.pmk@phoenix-
mecano.com
www.phoenix-mecano.ch

SLOVAKIA

ELING, s.r.o.
Trencianska ulica 863/66
SK-01851 Nová Dubnica
Tel.: +421 42 / 4455681
Fax: +421 42 / 4434172
eling@eling.sk
www.eling.sk

SPAIN

**Sistemas Phoenix Mecano
España, S.A.**
Pol. El Olivar, nave 15-16
Carretera de Logroño, Km. 247
E-50011 Zaragoza
Tel.: +34 (0) 976 / 786080
Fax: +34 (0) 976 / 787088
info@phoenix-mecano.es
www.phoenix-mecano.es

SOUTH AFRICA

RADÉL
P.O. Box 4364
ZA-Cresta 2118
Tel.: +27 (0) 11 / 8886696
Fax: +27 (0) 11 / 8882390
info@radel.co.za
www.radel.co.za

TAIWAN

**Phoenix Mecano S.E. Asia Pte Ltd
Taiwan Branch**
Taipei World Trade Center
Exhibition Hall
Room 4E-12, No. 5, Hsin-yi Road
Sec. 5 Taipei 110
Tel.: +886 2 / 27252627
Fax: +886 2 / 27252575
pmtwn@pmecano.com.tw

THAILAND

**Phoenix Mecano Thailand
Representative Office**
B.B. Building, 54 Sukhumvit 21
(Asoke Road),
8th Floor, Unit 3811,
Klong Toey Nua, Wattana
Bangkok 10110, Thailand
Tel.: +66-2 / 2614175 / 2614176
Fax: +66-2 / 2614177
pmthai@pmecano.com.sg

CZECH REPUBLIC

ELING BOHEMIA, s.r.o.
PO Box 33 Nadrahach 814
CZ-68604 Kunovice
Tel.: +42 (0) 572 / 549935
Fax: +42 (0) 572 / 549047
eling@eling.cz
www.eling.cz

TURKEY

ENTEK TEKNİK
Tansel Sokak No:18
(Sahsuvaroglu arkasi)
E-5 Gülsuyu Kavsagl Maltepe -
Istanbul, Turkey
Tel.: +90-216 / 4577732
www.entektechnik.com

UKRAINE

AT Electronics Kiev
Zlatoustovskaya str. 32
UA-01135 Kiev
Tel.: +38 (0) 44 / 2192219
Fax: +38 (0) 44 / 2192219
info@at-e.com.ua

HUNGARY

Phoenix Mecano Kecskemét Kft.
István kir. krt. 24.
H-6000 Kecskemét
Tel.: +36 (0) 76 / 515-637
Fax: +36 (0) 76 / 515-547
Tel.: +36 (0) 1 / 2624529
Fax: +36 (0) 1 / 2613464
info@phoenix-mecano.hu
www.phoenix-mecano.hu

USA

Phoenix Mecano Inc.
7330 Executive Way
USA-Frederick, Maryland 21704
Tel.: +1 (0) 301 / 696-9300
Fax: +1 (0) 301 / 696-9494
customerservice@rose-bopla.com
www.rose-bopla.com

SALES REPRESENTATION EASTERN EUROPE

Ex-Con-East
Heidestr. 19
D-01454 Radeberg
Mobil +49 173 / 6046519
Tel.: +49 (0) 3528 / 41500
Fax: +49 (0) 3528 / 415050
info@ex-con-east.com

Ex-Con-East GmbH

Moscow Representative Office
ul. Avtosavodskaya 16-2
RU-109280 Moscow
Tel.: +7 (0) 95 / 1014425
Fax: +7 (0) 95 / 2344489
info-moscow@ex-con-east.com

BELARUS

RELPOL-M
Ul. Serafimowicha, 13/24
BY-220033 Minsk
Tel.: +375 (0) 17 / 2984422
Fax: +375 (0) 17 / 2114477
info@relpol-m.com
www.relpol-m.com



Notes



Welcome to BOPLA City!



Bopla Gehäuse Systeme GmbH Borsigstraße 17-25 D-32257 Bünde
Tel.: +49 (0) 52 23/969-0 Fax: +49 (0) 52 23/969-100
info@bopla.de www.bopla.de