

Series: Multi-Pin

Features:

- Board mountable
- Wave solderable
- RoHS compliant
- Extreme temperature
- Long life (calendar & cycle)

Applications:

- High power
- High rate cycling
- High cycle life >500,000 cycles
- Pulse Power

Markets:

- Windmill pitch control
- Automotive subsystem
- Backup power
- Handheld/portable devices
- Hybrid energy storage
- Hybrid drivetrains
- Medical devices
- Power correction
- Engine starting
- Renewable energy

Markings:

Products are marked with the following:

Rated capacitance, rated voltage, product number, name of manufacturer, positive and negative terminal marking, warning marking.



Operating	
Voltage, Rated	2.7 V
Voltage, Surge	2.85 V
Capacitance Tolerance	+10% / -5%
Temperature	
Range, Operational	-40°C to 65°C
Range, Storage	-40°C to 70°C
Life	
DC	10 years, rated voltage, 25°C
	$\Delta C < 20\%$ decrease, ESR < 100% increase
Endurance	1000 hrs, rated voltage, 65°C
	$\Delta C < 20\%$ decrease, ESR < 100% increase
Shelf	1000 hrs, no voltage, 70°C
	$\Delta C < 20\%$ decrease, ESR < 100% increase
Cycle	>500,000 cycles, Rated to half rated voltage, 25°C
	$\Delta C, 20\%$ decrease, ESR, 100% increase
Standards Compliance	
UL 810a RoHS BS EN 60068-2-6,27,29 IEC 60068-2-14 SAE J2464, J2390, J1455 IP65 MIL 810 B-(516.3-5, 514.3-1, 509.2-1) ASTM B117	



Product Specifications

Part Number	RSC2R7357S4
-------------	-------------

Electrical

Capacitance (F)	350
ESR, DC \leq (m Ω) [10ms]	2.7
ESR, AC 1kHz \leq (m Ω)	2.4
Inductance \pm 30(nH)	150
72hr Leakage \leq (mA)	1.00

Cycling

Current, Peak [1s] (A)	243
Continuous Current (A)*	20
Current, Short Circuit (A)	750

Thermal

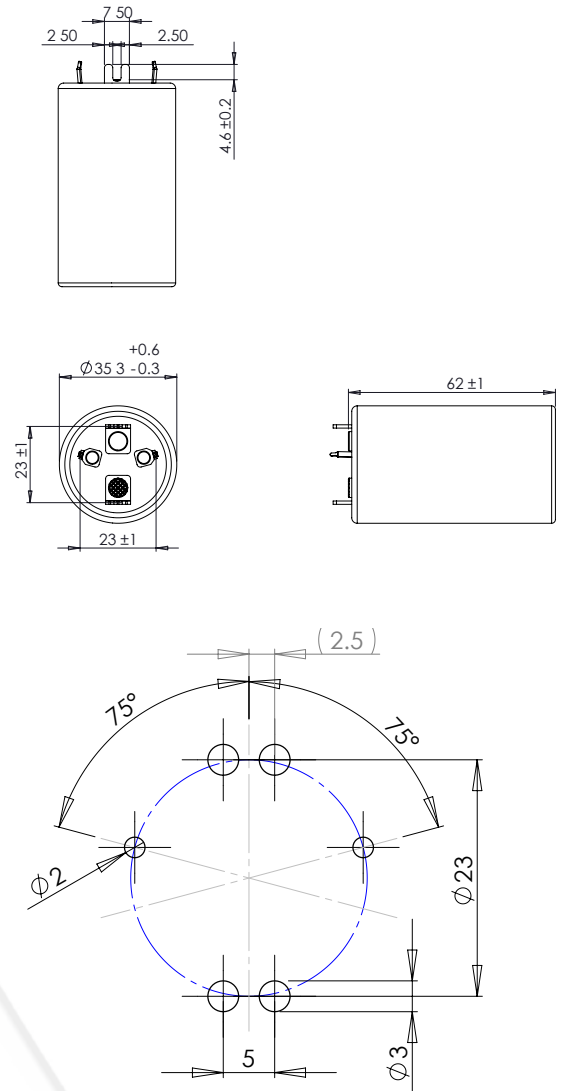
Resistance, Thermal ($^{\circ}$ C/W)	10
---------------------------------------	----

Energy/Power

E_{max} (Whr)	0.35
E_{max} (Whr/kg)	5.4
E_{max} (Whr/L)	5.9
P_{max} (kW/kg)	11.5
P_{max} (kW/L)	12.6
P_d (kW/kg)	4.9

Physical

D (mm)	35
L (mm)	62
Mass (kg)	0.066
Volume (L)	0.060
Volume of ACN (L)	0.027



Additional Technical Information

Product specification test methods available in separate document.

*Rated current = continuous current with 20 $^{\circ}$ C temperature rise.

Mounting Recommendation

Do not reverse polarize. Solder following recommendations in *Notes on Using Ultracapacitors*, available at www.ioxus.com.



18 Stadium Circle, Oneonta, NY 13820, USA

Toll Free: +1.877.751.4222

607.441.3500 | Fax: 607.433.9014

www.ioxus.com | info@ioxus.com

© 2011 Ioxus, Inc. | 111206