



ENGLISH

Datasheet

RS Pro ELEG Aluminium Enclosure, IP65, 262 x 127 x 91

RS Stock No: **282-1269**



Product Details

RS Pro ELEG aluminium enclosure measuring 262 x 127 x 91 mm, has neoprene gasket for IP65 protection. It has sandblasted finish with 3 mm wall thickness. The enclosure has slots provided for mounting PCBs.

Features and Benefits

- Temperature range: -40 to +100°C
- Four recessed screws secure lid into tapped holes
- DIN rail can be fixed to the base



ENGLISH

Specifications:

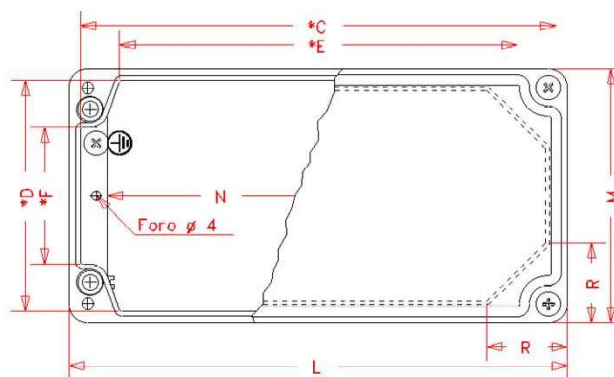
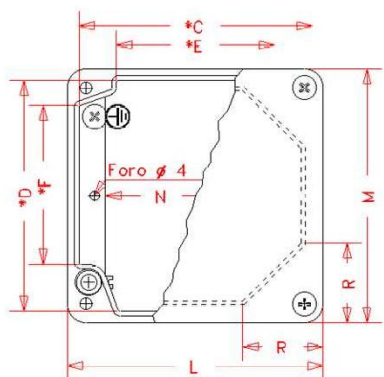
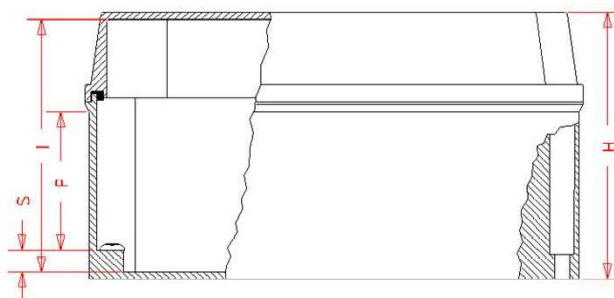
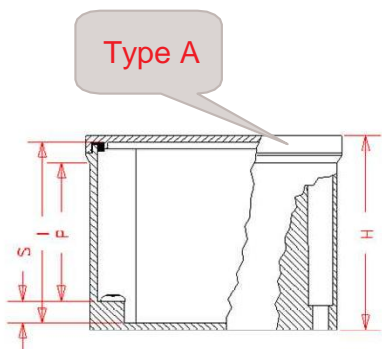
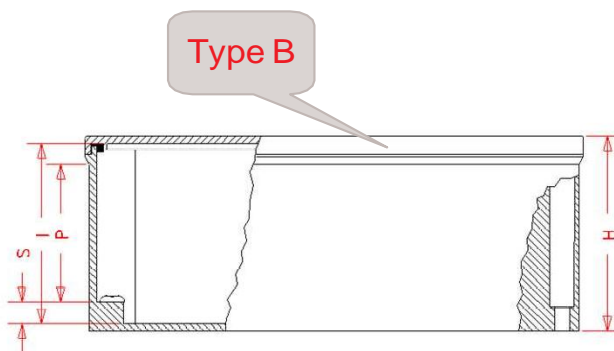
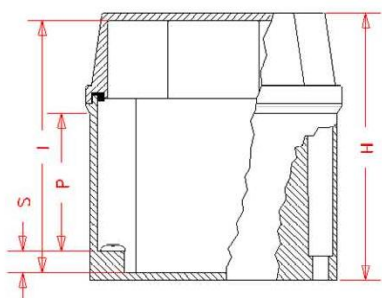
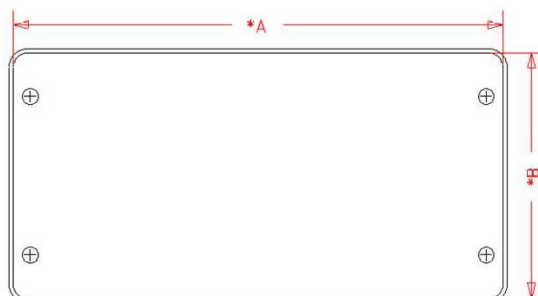
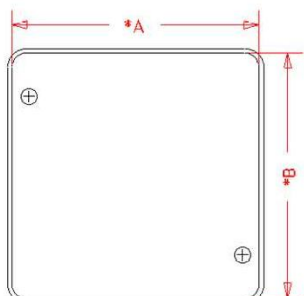
Body Material	Die Cast Aluminium Alloy
Colour	Grey
External Dimensions	262 x 127 x 91 mm
External Height	91 mm
External Length	262 mm
External Width	127 mm
Flanged	No
Gasket Material	Neoprene
IP Rating	IP65
Lid Colour	Grey
Shielded	No
Weight	2.65 kg
Finish	Sandblasted



ENGLISH

* Useful size

• Code	Type	* A	* B	H	* C	* D	* E	* F	I	L	M	N	P	R	S
282-1168	A	102	102	61	95	95	63	64,4	55	106	106	74	38	-	9
282-1180	A	102	102	81	95	95	63	64,4	75	106	106	74	58	-	9
282-1196	A	122	75	61	115	68	83	38	54,5	126	78,5	94	38	-	9
282-1203	A	122	75	75	115	68	83	38	68,5	126	78,5	94	52	-	9
434-9898	A	130	130	91	123	123	90	90	85	133	133	101	67,5	-	9
282-1219	B	202	102	61	195	95	164	56,5	55	206	106	174	37,5	-	9
282-1225	B	202	102	81	195	95	164	56,5	75	206	106	174	57,5	-	9
282-1247	A	252	87	61	245	80	213,5	50	54,5	256	91	224	38	-	9
282-1253	A	252	87	75	245	80	213,5	50	69	256	91	224	51,5	-	9
282-1269	B	265	130	91	258	123	227	84	85	268	133	234	67,5	-	9



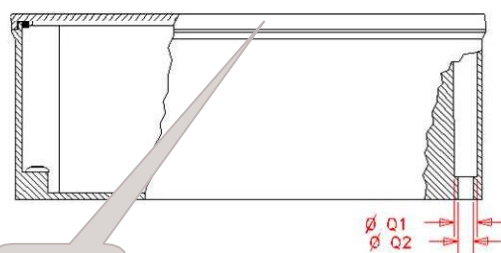
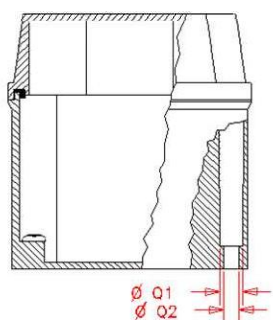
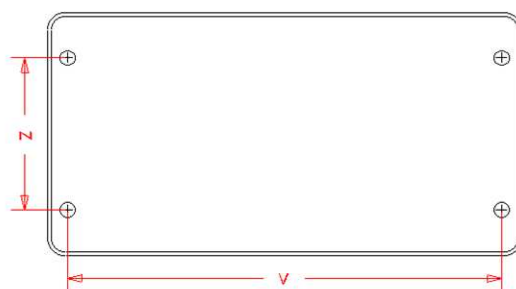
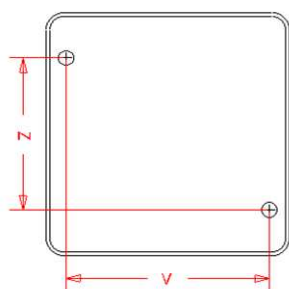
Type A enclosure: flat cover and 2 fixing holes on the bottom.
 Type B enclosure: flat cover and 4 fixing holes on the bottom.



ENGLISH

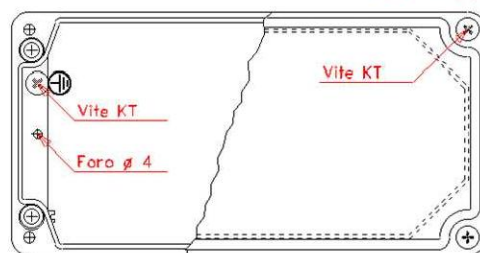
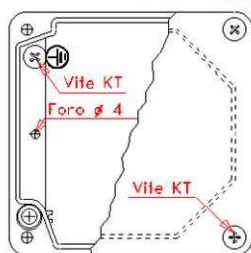
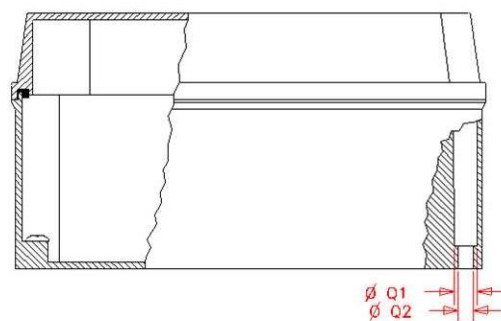
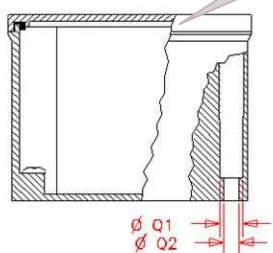
* Useful size

Code •	Type	Q1	Q2	* T1	* U1	* T2	* U2	W1	W2	V	Z	No screws	KC	No screws	KT
282-1168	A	10	6	82,5	10	-	-	40	53,5	88	72	4	M5	1	M5
282-1180	A	10	6	82,5	10	-	-	60	73,5	88	72	4	M5	1	M5
282-1196	A	10	6	102,5	10	-	-	40	53,5	108	45	4	M5	1	M5
282-1203	A	10	6	102,5	10	-	-	54	67,5	108	45	4	M5	1	M5
434-9898	A	10	6	110	10	-	-	70	83,5	115	100	4	M5	1	M5
282-1219	B	10	6	171	10	95	16	40	53,5	188	72	4	M5	1	M5
282-1225	B	10	6	171	10	95	16	60	73,5	188	72	4	M5	1	M5
282-1247	A	10	6	232,5	10	80	16	40	53,5	238	57	4	M5	1	M5
282-1253	A	10	6	232,5	10	80	16	54	67,5	238	57	4	M5	1	M5
282-1269	B	10	6	232,5	10	122	16	70	83,5	248	97	4	M5	1	M5



Type B

Type A



Guides for printed circuit.

