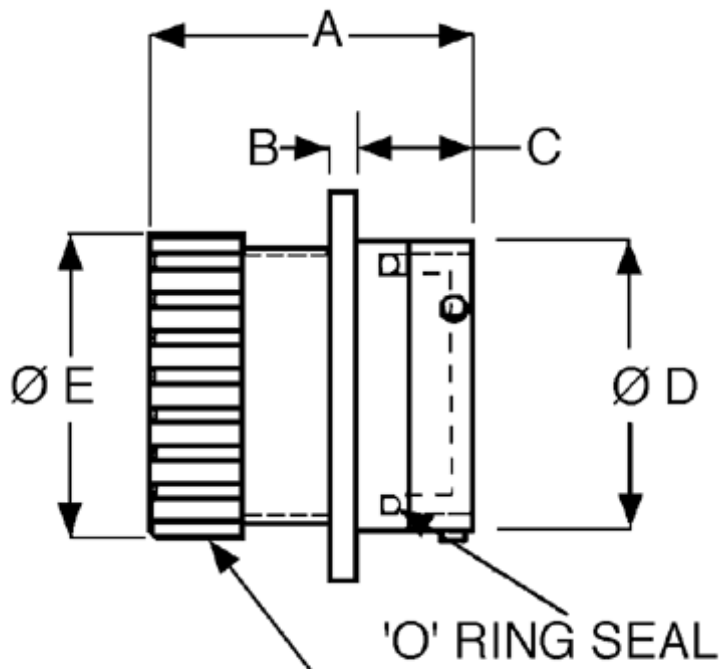


**PART NUMBER: 192900-0033**

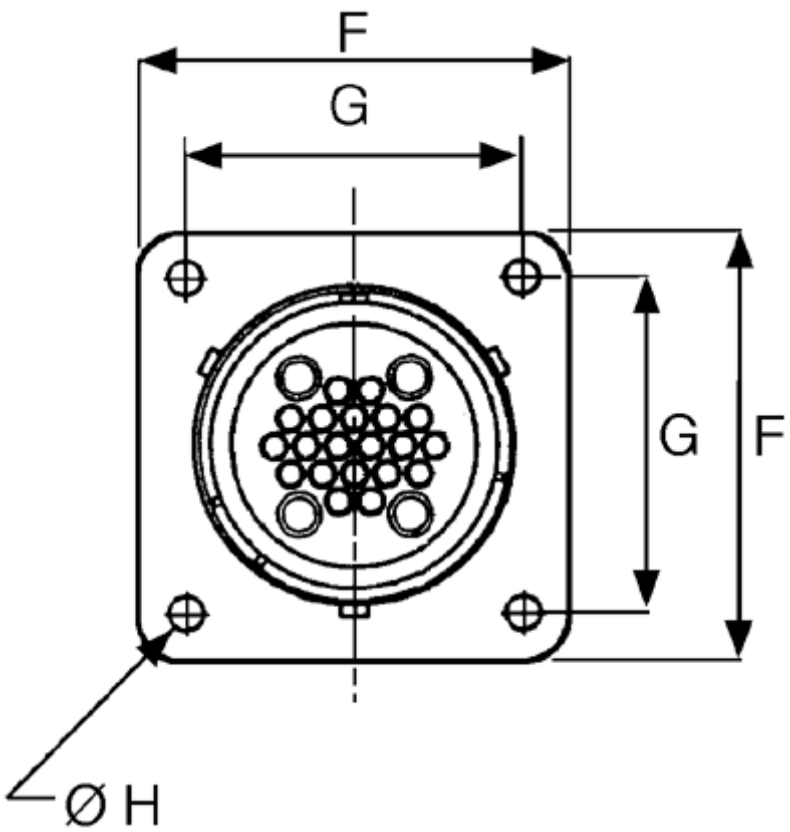
[View Line Drawings](#)

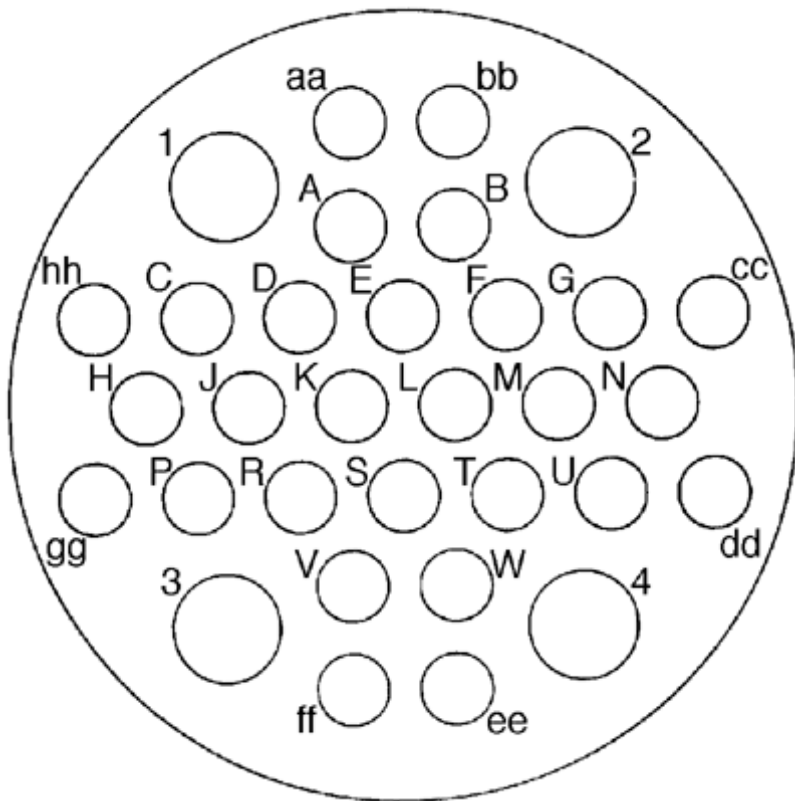
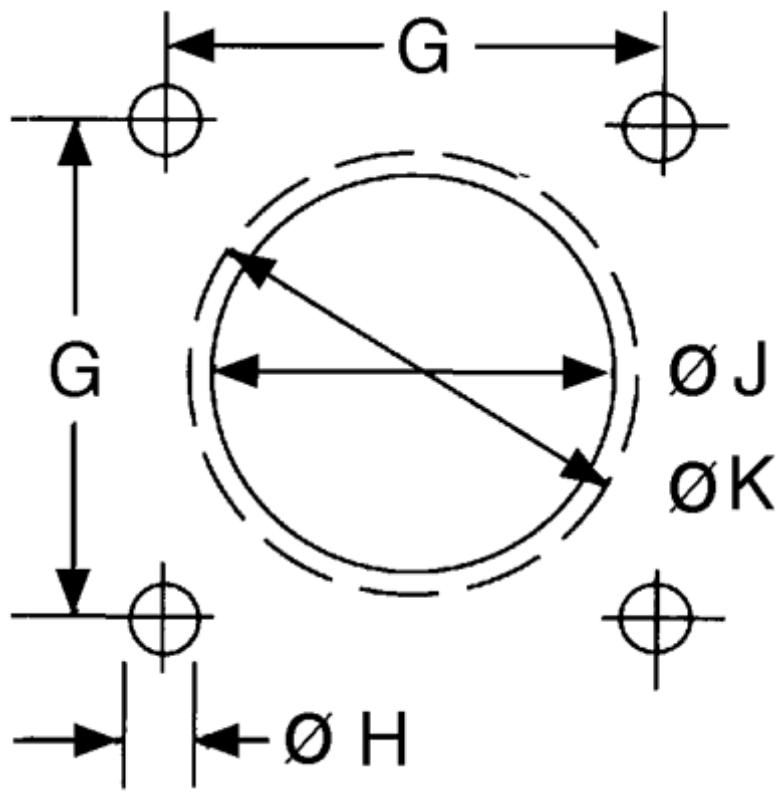
<b>Product Family</b>	Trident
<b>Product Group</b>	Neptune
<b>Component</b>	Connector
<b>Sealed</b>	Yes
<b>Packaging</b>	Single
<b>Connector Material</b>	Plastic
<b>Shape</b>	Circular
<b>Contact Layout</b>	04-28
<b>Gender</b>	Receptacle
<b>Contacts to be Fitted</b>	Socket
<b>Mounting Style</b>	Flange Mount
<b>Connector Format</b>	Standard
<b>Shell Size</b>	24
<b>Grommet, with or without Nut</b>	Grommet & Nut
<b>Operating Voltage</b>	25 V
<b>Contact Current Rating</b>	depends on contact used
<b>Operating Temperature</b>	-55 °C to 105 °C
<b>Insulation Resistance</b>	5000 M ohms at 500 V dc
<b>Test Voltage</b>	2000 V rms
<b>Bayonet Pin Material</b>	Stainless Steel
<b>Bayonet Pin Support Band Material</b>	High Strength Copper Alloy
<b>Bayonet Pin Support Band Finish</b>	Nickel
<b>Environmental Sealing</b>	Up to IP65
<b>Flammability</b>	UL 94V-0
<b>Note 1</b>	Dimension ØJ = Flange in front of panel. Diameter ØK = Flange at rear of panel
<b>Note 2</b>	Operating Voltage can be higher than 25 V, if the equipment safety will allow.
<b>Note 3</b>	Contact Cavity Arrangement - Mating Face View is Mirror Image
<b>Footnote</b>	Dimensions are in mm (inch). Dimensions are subject to change.
<b>For more information</b>	Contact Cannon Sales Department
<b>Wire Sealing Range, Signal Contact, Overall Diameter</b>	Ø1,70-2,70 (.066-.106)
<b>Wire Sealing Range, Power Contact, Overall Diameter</b>	Ø2,70-4,00 (.106-.157)
<b>Dimension A</b>	41,80 (1.645)
<b>Dimension B</b>	3,50 (.137)
<b>Dimension C</b>	15,40 (.606)
<b>Dimension D</b>	Ø38,10 (1.500)

<b>Dimension E</b>	Ø40,10 (1.578)
<b>Dimension F</b>	50,80 (2.000)
<b>Dimension G</b>	39,70 (1.563)
<b>Nomenclature</b>	TN0S2404-28S1L
<b>Dimension H</b>	Ø4,20 (.165)
<b>Dimension J</b>	Ø41,00 (1.614)
<b>Dimension K</b>	Ø41,00 (1.614)



WIRE SEAL &  
SECURING NUT





© 2002 ITT Industries