

# WORLD'S SMALLEST USB CAR CHARGER MOTORMONKEY



**YOU CAN:**  
CHARGE IPADS  
IPHONES  
& SMARTPHONES  
MOBILE PHONES GPS  
SAT-NAVS E-READERS  
IPODS MP3  
PLAYERS & MORE

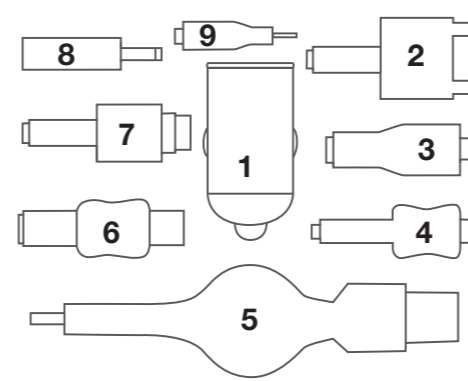
The motormonkey is the world's smallest in-car charger and has been designed so it can be permanently connected in the cigarette lighter without draining the car's battery.

The unit is extremely compact and our latest model includes some clever features such as the self-sensing technology which automatically detects the voltage required meaning it can charge iPads as well as much smaller devices via the USB socket.



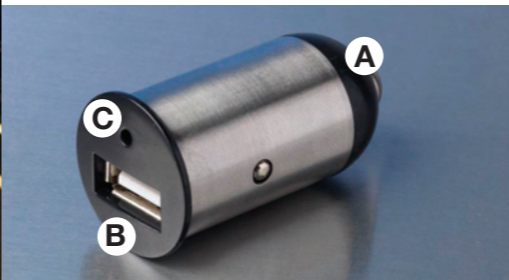
## ADDITIONAL FEATURES

- CAN CHARGE IPADS AS WELL AS MUCH SMALLER 5V DEVICES
- INCREDIBLY SMALL AND COMPACT
- SUPPLIED WITH A USB CHARGING RETRACTABLE CABLE AND MONKEYNUTS WHICH MEANS YOU CAN HAVE ONE SINGLE CHARGER WHICH WORKS WITH NUMEROUS DEVICES
- AUTO-OFF TECHNOLOGY PREVENTS OVERCHARGING AND DRAINING YOUR CAR BATTERY (RED LIGHT ILLUMINATES FAINTLY TO SHOW STANDBY MODE)
- SELF-SENSING TECHNOLOGY TO REGULATE REQUIRED CHARGING VOLTAGE



## EACH KIT CONTAINS:

- motormonkey unit (1)
- Sony Ericsson K750i tip (2)
- Micro USB tip (3)
- Mini USB tip (4)
- Nokia tip (5)
- Samsung G600 tip (6)
- LG Chocolate tip (7)
- DC4.0 tip for Sony PSP and some digital cameras (8)
- Mini Nokia tip (9)



## Specifications

Specifications	motormonkey
Weight	40g
Dimensions	43 x 24mm
Battery type	-
Battery capacity	-
Output voltage USB	5.5v
Input voltage	12v/24v
<b>Charges</b>	
Mobiles	●
iPods/MP3/MP4	●
PDAs	●
PSP/Hand-held games consoles	●
Laptops	-
iPads	●
<b>Special Features</b>	
Water resistant	-
LCD screen	-
Solar panel	-
Mains charger	-
<b>Colours</b>	
Silver	●

## HOW TO USE MOTORMONKEY:

- Remove cover from your car's cigarette lighter
- Plug motormonkey's rounded end (A) into lighter socket
- Use the USB retractable cable provided
- Select the correct tip for your device
- Connect tip and USB cable to device
- Place device in your phone holder or position safely
- Connect USB retractable cable to motormonkey (B)
- Red LED light (C) is on when your device is charging
- LED light will dim when device is fully charged. You can leave motormonkey, USB cable and tip connected to the lighter socket in your car and it will not drain power from your car battery

To charge Apple products you will need to use the Apple supplied USB sync / charging cable.

"Made for iPod," "Made for iPhone," and "Made for iPad" mean that an electronic accessory has been designed to connect specifically to iPod, iPhone and iPad, respectively, and has been certified by the developer to meet Apple performance standards. Apple is not responsible for the operation of this device or its compliance with safety and regulatory standards. Please note that the use of this accessory with iPod, iPhone or iPad may affect wireless performance.

iPad, iPhone, iPod iPod touch and iPod nano are trademarks of Apple Inc., registered in the U.S. and other countries.



Designed and developed in the UK

Engineered and made in China

For customer support, email us at [support@powertraveller.com](mailto:support@powertraveller.com)

## POWERTRAVELLER LIMITED

Ceratech House, Omega Park,  
Wilsom Road, Alton, Hampshire  
GU34 2QE, UK  
t +44 (0) 1420 542980  
info@powertraveller.com  
www.powertraveller.com



THE QUEEN'S AWARDS  
FOR ENTERPRISE:  
INNOVATION 2009  
INTERNATIONAL TRADE 2012

**powertraveller**  
without boundaries™



# POWER FOR WILDLIFE...

Powertraveller is proud to be supporting the David Shepherd Wildlife Foundation (DSWF). DSWF is a small charity making a big impact - saving critically endangered mammals in the wild



Fighting against the illegal smuggling of wildlife throughout Africa and Asia



Funding undercover investigations and anti-poaching operations to end the illegal ivory trade



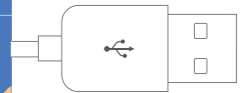
Saving the world's last wild tigers from extinction



Saving the last snow leopards through protection, research and community projects in Mongolia

## WORLD'S SMALLEST USB CAR CHARGER MOTORMONKEY

YOU CAN: CHARGE IPADS IPHONES MOBILE & SMART PHONES GPS SAT-NAVS MP3 PLAYERS AND MORE



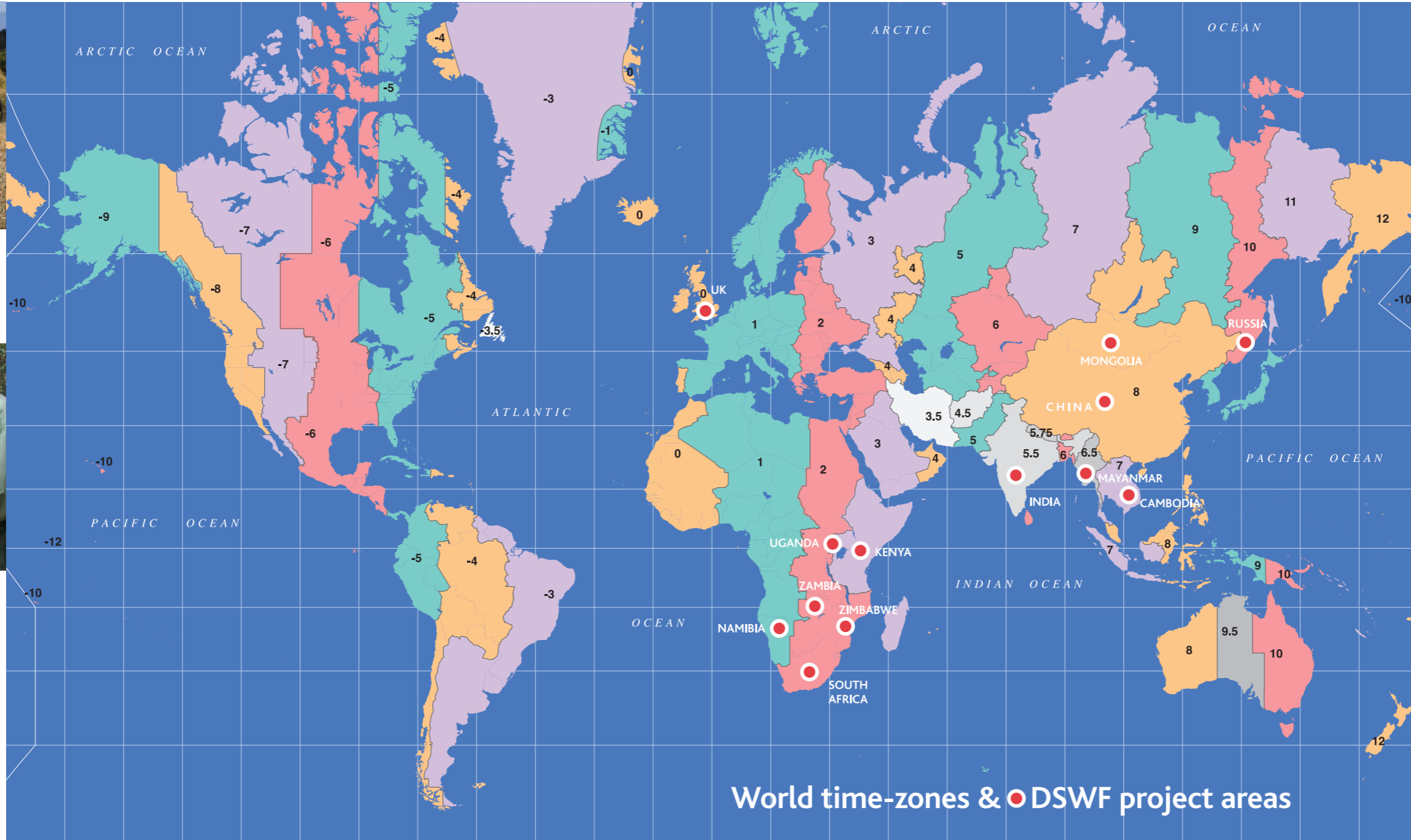
powertraveller without boundaries™



David Shepherd sketching on location in Africa



Touching thousands and influencing millions through education



The David Shepherd Wildlife Foundation was set up by artist David Shepherd. DSWF funds innovative, long term projects in Africa and Asia and is achieving real results for species survival in their wild habitat whilst truly benefiting local communities who share their environment.

We urgently need your help to send undercover agents into the field to investigate illegal wildlife crime, train and supply anti-poaching patrols, fund vital community outreach and education programmes and put countless other critically important projects into action. Tomorrow will be too late.

Please support DSWF. 100% of donations received for a specific cause go in full to that project. For more information about membership, adoptions and other activities for wildlife please visit our website:

[www.davidshepherd.org](http://www.davidshepherd.org)



DSWF  
61 Smithbrook Kilns  
Cranleigh  
Surrey  
GU6 8JJ  
UK

T: 01483 272323

E: [dswf@davidshepherd.org](mailto:dswf@davidshepherd.org)

[www.davidshepherd.org](http://www.davidshepherd.org)

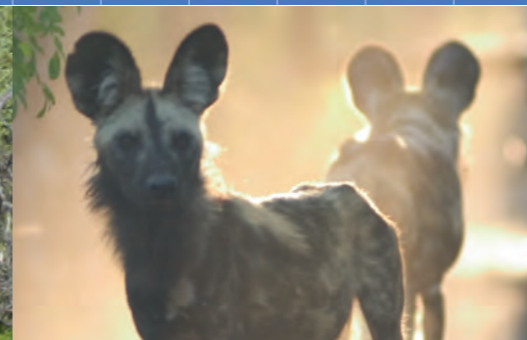
Registered Charity No. 1106893



Tackling the consumer end of the illegal wildlife markets in Asia and London



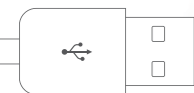
Saving the last rhinos following their catastrophic decline due to poaching



Saving the last African painted dogs and other wildlife in crisis torn Zimbabwe



Funding the brave men and women risking their lives fighting against wildlife crime



powertraveller without boundaries™