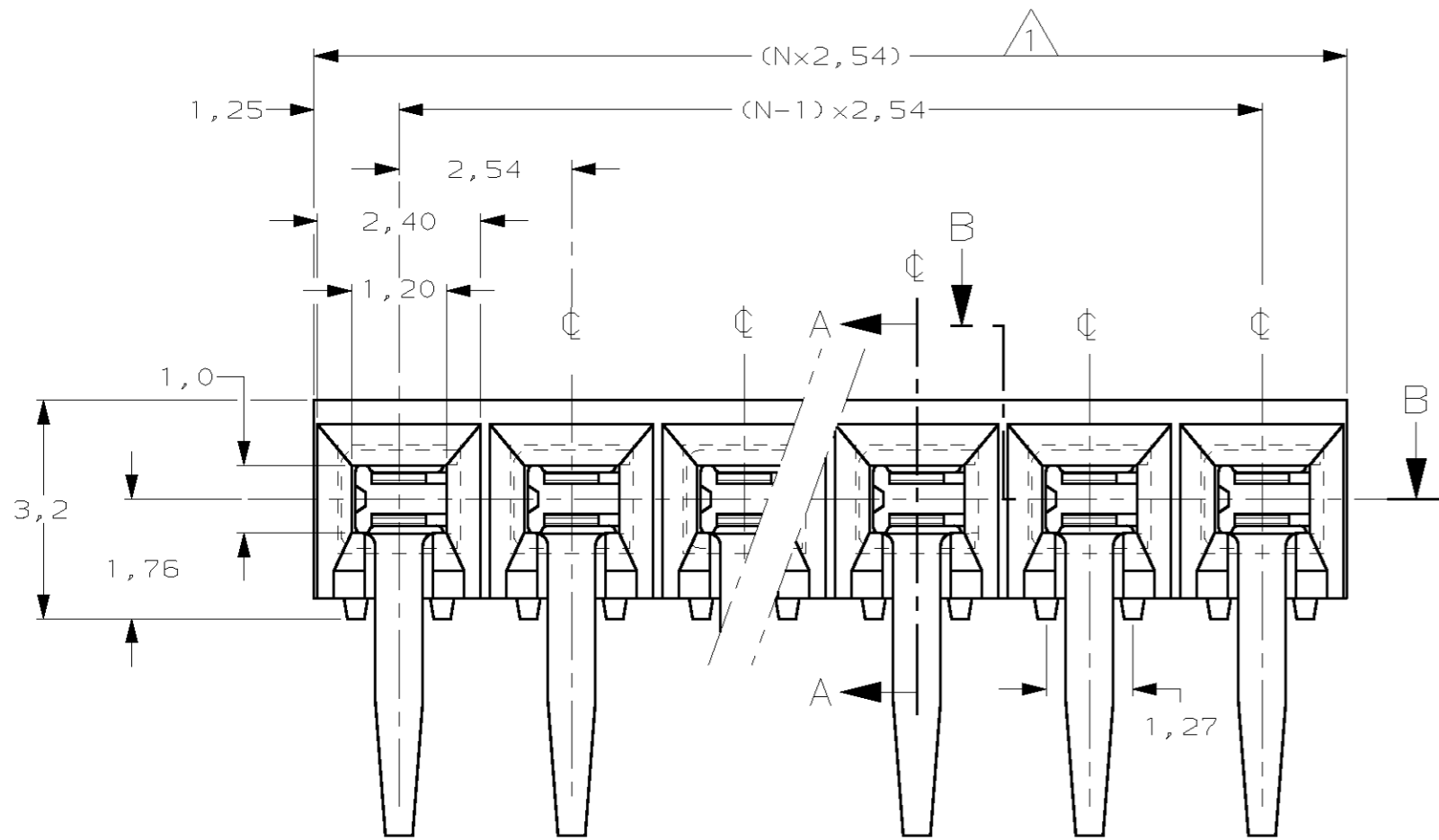
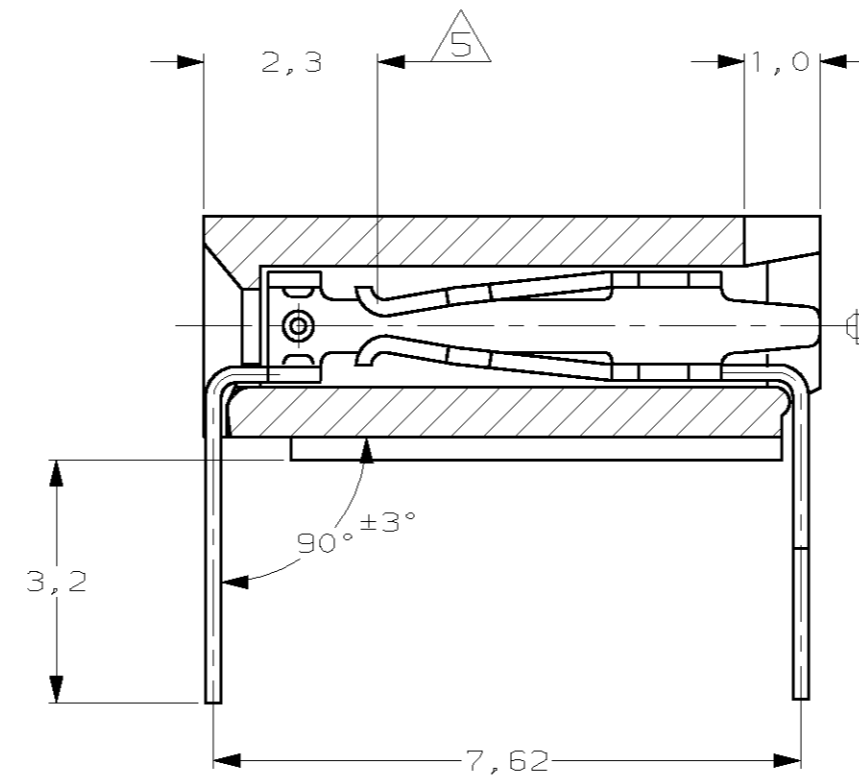


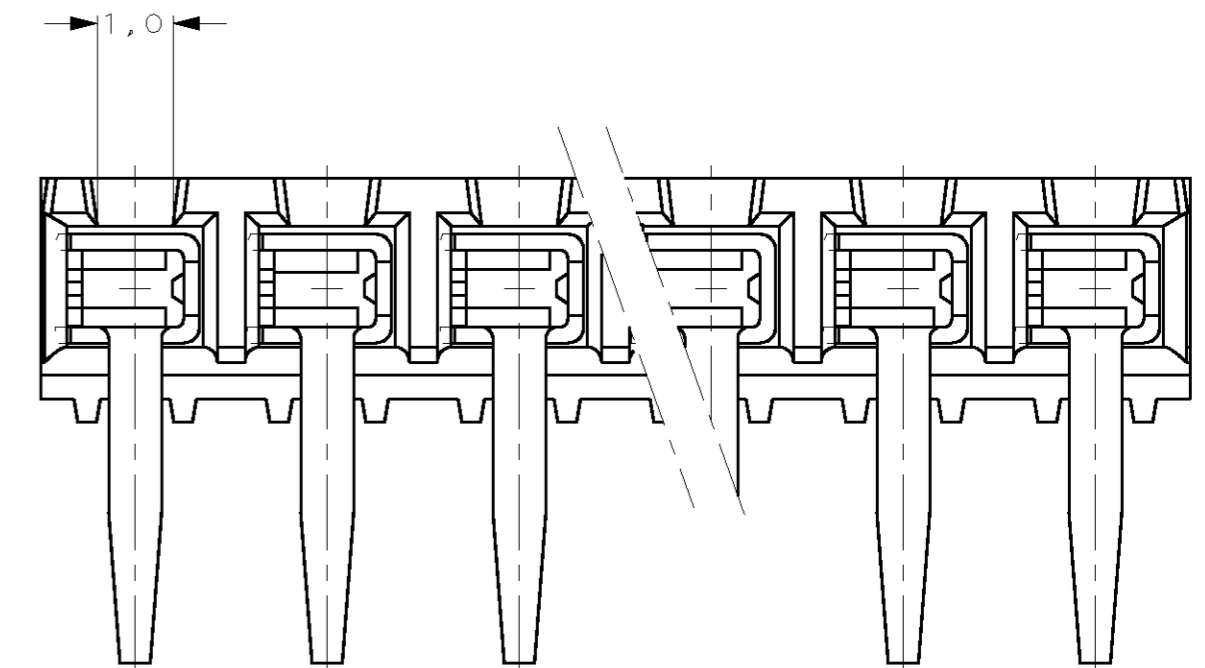
SECTION B-B/TOPVIEW



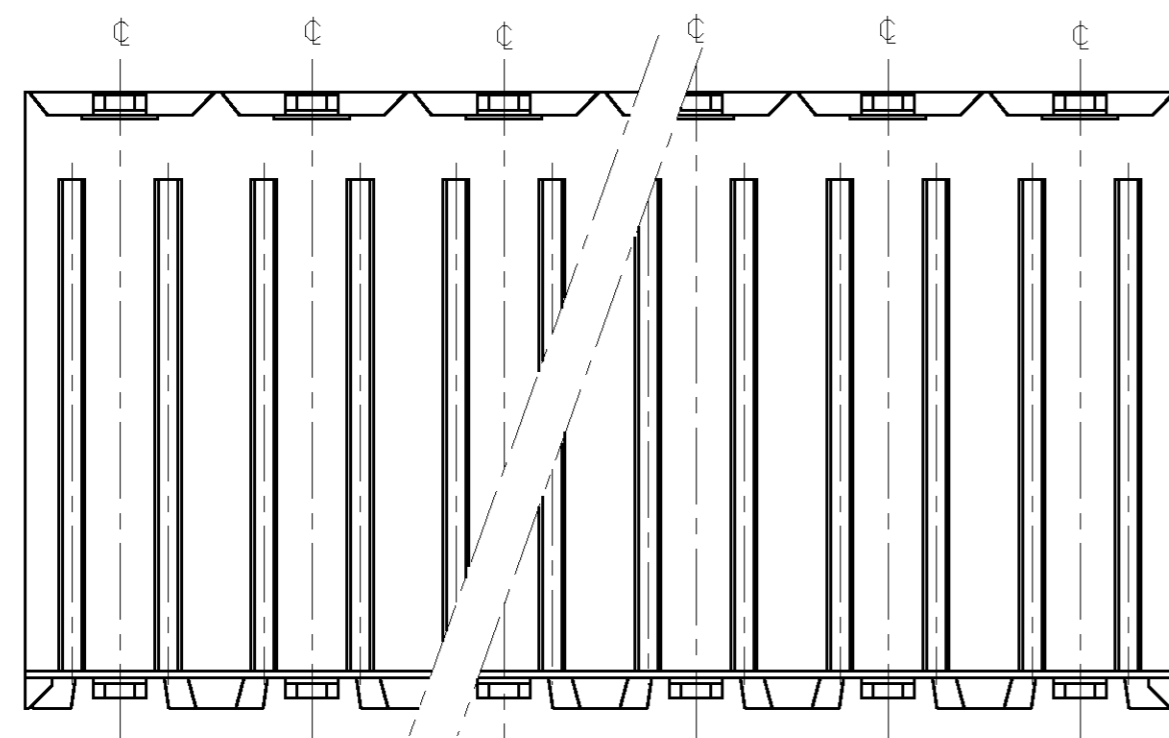
FRONT VIEW



SECTION A-A



REAR VIEW

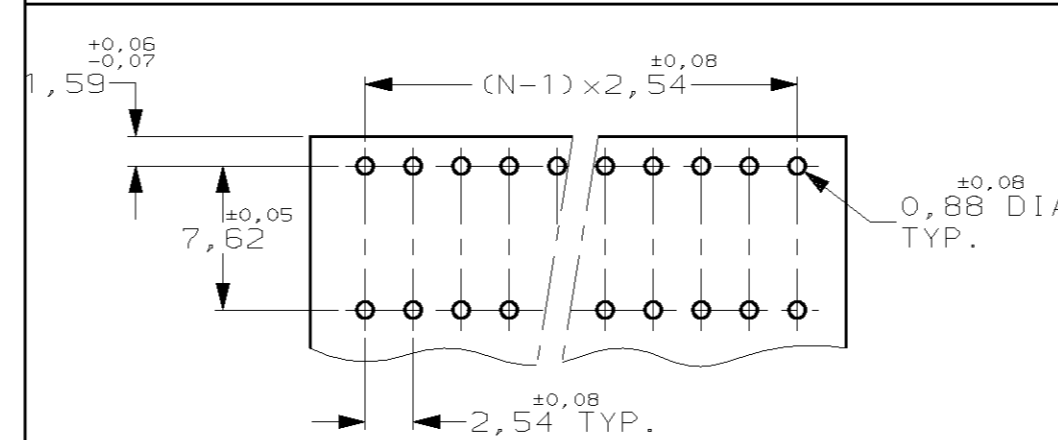


BOTTOM VIEW

NOTES:

- 1 TO DETERMINE DIMENSIONS TAKE N=NR. OF POS.
FOR EXAMPLE, 10 POS., $N \times 2,54 = 25,4$ mm.
FOR ORDER NR. USE BASIC NR.+NR. OF POS.
FOR EXAMPLE, 2 POS. = 216602-2 (SHORTEST VERSION)
65 POS. = 6-216602-5 (LONGEST VERSION)
- 2 HOUSING MATERIAL, GREEN GLASS FILLED POLYESTER, UL 94V-0
CONTACT MATERIAL, PHOSPHOR BRONZE.
- 3 PLATING, UNDERCOATING, 1,3 μ m Ni
AT CONT. PLACE, 0,8 μ m Au
AT SOLDER-TINES, 3,0-5,0 μ m TIN
- 4 MATES WITH 0,63 SQUARE/ROUND MODU POSTS.
- 5 CONTACT-POINT.
- 6 RECOMMENDED P.C. BOARD-THICKNESS, 1,6 mm.
- 7 PRINTED: BASIC PARTNUMBER, THE WORD "AMP", PRODUCTION DATE AND A DASHED LINE OVER THE LENGTH OF HOUSING TO INDICATE CONTACT MATING SIDE.

RECOMMENDED P.C. BOARD-HOLE LAYOUT



				FINISH	MATERIAL	PARTNUMBER
				-	-	-
				-	-	-
H1	EG00-1730-03	TISZA K155	ZITZ	13MAY03	CUSTOMER DRAWING FOR REFERENCE ONLY WILL NOT BE UPDATED	
H	EH-0467-97	JvL	RB	06-05-97	© COPYRIGHT 1991 BY AMP HOLLAND B.V. ALL INTERNATIONAL RIGHTS RESERVED. AMP PRODUCTS MAY BE COVERED BY U.S. AND FOREIGN AND/OR PATENTS PENDING.	
G	EH-1294-96	RdB	RdB	07-NOV-96	THIS DRAWING IS UNPUBLISHED RELEASED FOR PUBLICATION DEC, 1991	
F	H-8275	LvdH	WRA	17 APR '92	AMP AMP HOLLAND B.V. 's-Hertogenbosch, The Netherlands.	
E	ECN H9408	WRA	WRA	19-12-91	NAME HV 190 HOR. ASS'Y SINGLE ROW GOLD VERSION (MAX. 65 POSITIONS)	
LTR.	REVISION RECORD	DR.	CHK.	DATE		
DR.:	W.R. ANNOKKEE	CHK.:	R.T. DE BLIECK	APP.:	R. SHEETS	DWG. No. C-216602
DATE:	19/12/91	DATE:	19/12/91	DATE:	19/12/91	REV. LTR. H1
						SHEET 1 OF 1
						A2