

week



Save time

## SC 83.x0 pro

- 2 or 4 channels
- Daily and weekly program
- 300 memory locations
- 10 years battery-reserve
- Minimum interval 1 min.
- Switching capacity 5 A per channel
- Up to 300 permanent switchings by date
- Manual permanent mode
- Manual override
- Automatic sorting of switching times on readout
- Unrestricted block programming
- Fully automatic daylight saving time
- Elapsed time and pulse counter
- Pulse function
- Cycle function
- Timer function
- Channel button function
- DCF function
- Security by PIN-Code
- Data-key function

### Further information / Accessory

**Accessory: Data-key DK pro and Programming package PP 50 pro**  
(not included in delivery of the time switch)



**Accessory: Radio receiver DCF-Time FU 20.00 pro**  
(not included in delivery of the time switch)



**Accessory: Radio receiver GPS-Time FU 3x.00 pro**  
(not included in delivery of the time switch)



**Accessory: 32 pole multipoint socket connector**  
(not included in delivery of the time switch)

### Comparable products ...

SC 93.x0 pro with additional features:  
Yearly program

### Highlights

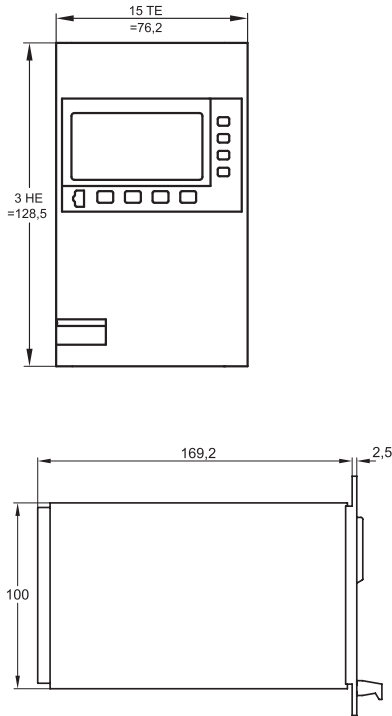
- Text based menu and self-explanatory symbols
- Up to 300 permanent switchings by date or with Easter function
- Display with a large dot matrix area to provide two high resolution text lines
- Easy handling. Quick and intuitive programmable time switch
- Can be programmed with supply disconnected
- Unlimited program security by E<sup>2</sup>-PROM
- Programmable with PC (Accessory Data-key DK pro and Programming package PP 50 pro)

basic extended premium

# Digital time switch SC 83.x0 pro

pluggable into 19"-housing (DIN EN 41494)

## Technical data

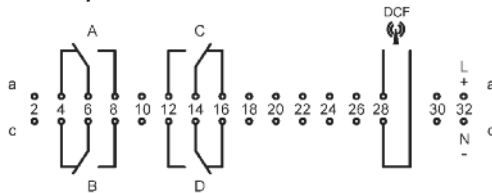


<b>Supply voltages</b>	230 V, 50–60 Hz other voltages on request
<b>Power consumption (real power)</b>	1.2–3.2 W (depending on the switching status)
<b>Channels (potential-free)</b>	Change-over, contact gap < 3 mm (μ)
<b>Contact material</b>	AgSnO <sub>2</sub>
<b>Switching capacity per channel</b>	5 A / 250 V~ at cosφ=1 5 A with inductive load cosφ=0.6
<b>Min. switching power</b>	1,000 mW (10 V / 10 mA)
<b>Max. starting current</b>	50 A
<b>Switching functions</b>	ON; OFF; pulse; cycle
<b>Pulse length Pulse function (switching time)</b>	00:01 up to 59:59 mm:ss
<b>Pulse length Timer (man. switching)</b>	0:00:01 up to 9:59:59 h:mm:ss
<b>Pulse/Pause length Cycle</b>	0:00:01 up to 9:59:59 h:mm:ss
<b>Memory locations</b>	300
<b>Minimum interval</b>	1 min. (1 sec. pulse mode)
<b>Time base</b>	Quartz or DCF / GPS (FU 20.00 pro / FU 3x.00 pro)
<b>Power back-up (at 20°C)</b>	approx. 10 years (depends on the Lithium-battery life)
<b>Quartz accuracy (at 20°C)</b>	≤ ±0.5 sec./day
<b>Display</b>	high resolution LCD (visible area 7.5 cm <sup>2</sup> )
<b>Permitted ambient temperature</b>	-10°...+50°C
<b>Colour front panel</b>	black, self-extinguishing thermoplastic
<b>Dimensions front panel</b>	128.5 x 76.2 mm
<b>Mounting</b>	pluggable into 19"-housing
<b>Type of connection</b>	32-pole male multipoint connector (DIN EN 41612)
<b>Type of protection</b>	IP 00 to DIN EN 60529
<b>Class of protection</b>	I when installed according to regulations
<b>Accessories (not included in delivery)</b>	Data-key DK pro, Radio receiver FU 20.00 pro / FU 3x.00 pro, Programming package PP 50 pro, 32 pole (multipoint) socket connector

### SC 83.20 pro



### SC 83.40 pro



Order number	Channels	Time base
SC 83.20 pro	2	Quartz/DCF
SC 83.40 pro	4	Quartz/DCF

✓ Housing colour